

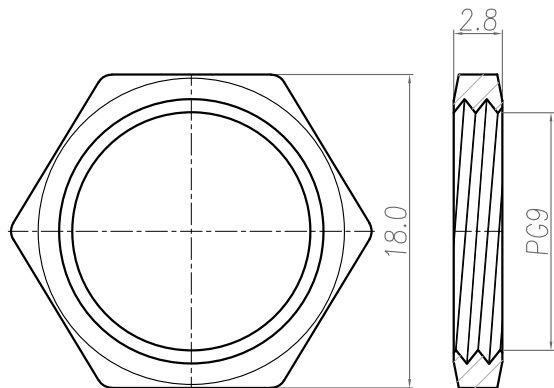
**NOTE:**

**MATERIAL**  
 HOUSING: PA UL94V-0, BLACK  
 CONTACT: BRASS  
 NUT: BRASS  
 SHELL: BRASS  
 O-RING: EPDM, BLACK  
 X-SHELL: ZINC ALLOY

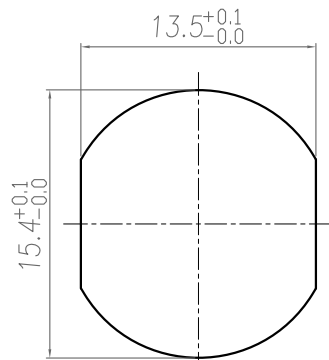
**FINISH**  
 CONTACT: GOLD 10µ" MIN.  
 OVER 50µ" NICKEL  
 NUT: NICKEL PLATED  
 SHELL: NICKEL PLATED  
 X-SHELL: NICKEL PLATED

**ELECTRICAL**  
 RATED CURRENT: 0.5A  
 RATED VOLTAGE: 50VAC/60VDC  
 INSULATION RESISTANCE: 100 MΩhms MIN.  
 CONTACT RESISTANCE: 10 mΩhms MAX.  
 WATER PROOF: IP67

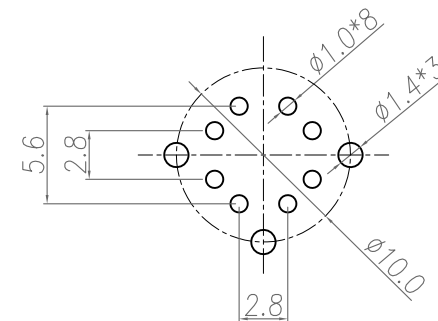
**ENVIRONMENT**  
 OPERATION TEMPERATURE: -40°C TO +85°C



**NUT**



RECOMMEND PANEL CUT-OUT



RECOMMEND P.C.B LAYOUT

**RoHS COMPLIANT**

UNITS = mm

**DO NOT SCALE FROM DRAWING**



THESE DRAWINGS AND SPECIFICATIONS ARE THE PROPERTY OF NorComp AND SHALL NOT BE REPRODUCED, COPIED OR USED AS THE BASIS FOR THE MANUFACTURE OR SALE OF APPARATUS WITHOUT WRITTEN PERMISSION.

DRAWN:

J. KADEL

DATE:

09/24/2020

**NorComp**

SCALE:

NTS

SHEET

OF

1

1

REV

0

DWG NO.

**860-X08-2D3R0R4**