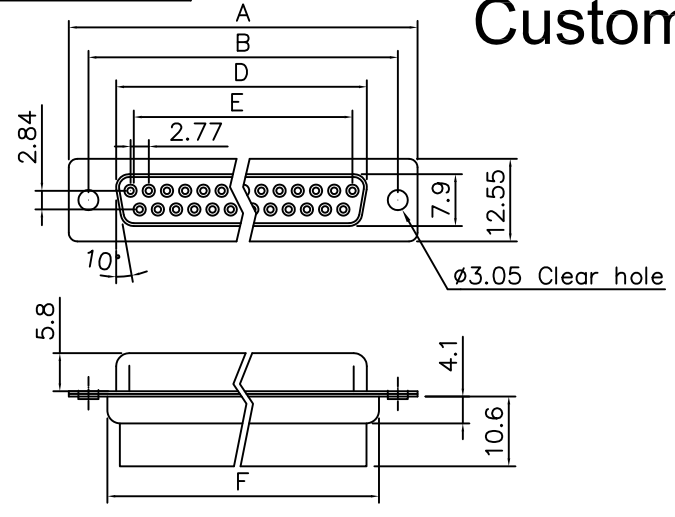


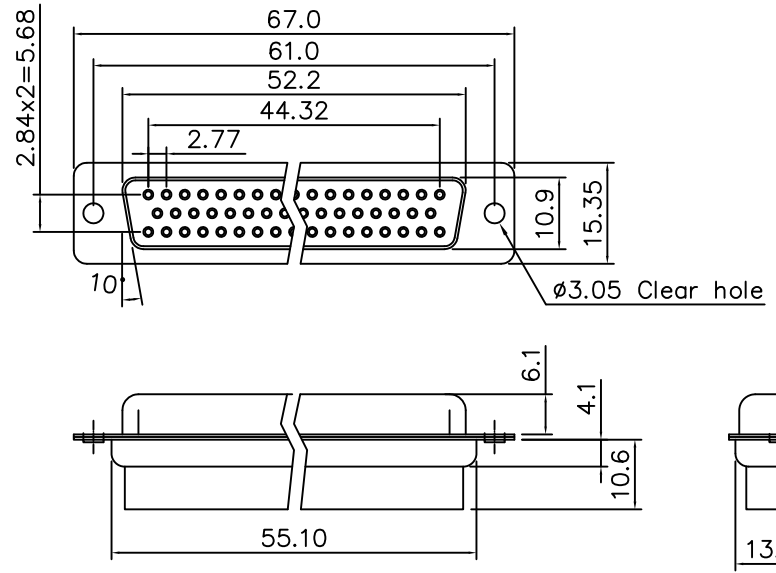
This document is the property of Amphenol Corporation and is delivered on the express condition that it is not to be disclosed, reproduced or used, in whole or in part, for manufacture or sale by anyone other than Amphenol Corporation without its prior consent, & that no right is granted to disclose or to use any information in this document.

Customer Drawing



Dimensions

Positions	A	B	D	E	F
09	30.81	24.99	16.33	11.08	19.20
15	39.20	33.30	24.70	19.39	27.70
25	53.05	47.04	38.40	33.24	41.10
37	69.40	63.50	54.80	49.86	57.30



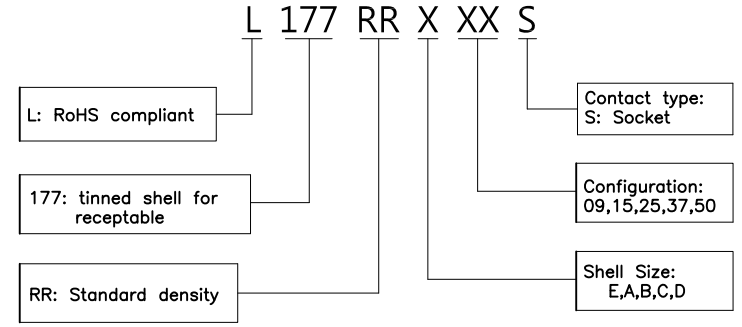
50 Positions

REVISIONS				
SYM	ECN	DESCRIPTION	DATE	APPROVED
1	HK--	First Release Drawing	12/31/07	IP
2	HK--	Update the Drawing	09/16/09	IP
3	HK--	Update the Drawing	04/28/12	IP
4	HK--	Update the Drawing	05/24/13	IP
5	HK--	Update the Drawing	06/19/13	IP
6	HK--	Add one dimension	10/28/14	IP
7	HK--	Add retention force	05/12/15	IP

D-SUB TECHNICAL DATA

SHELL : Steel, 100u" Tin over 50u" min Nickel over 50u" copper
 BODY : Front housing:
 Glass-Filled Thermoplastic PBT, UL94V-0, Color:Black
 Back housing:
 Glass-Filled Thermoplastic PA66, UL94V-0, Color:Black
 ELECTRICAL : Withstanding Voltage >1000 V RMS
 Insulation resistance >1000 M Ohms
 MECHANICAL : Terminal retention force: 2.27kg Min.
 MARKING : Amphenol Logo

PRODUCT CODE



UNLESS OTHERWISE SPECIFIED TOLERANCES		APPROVAL		DATE
U.S.	METRIC	DRAWN	FILED	
.X +/-	0.50	Felix Liu		06/12/16
.XX +/-	0.30	CHECKED Tony Tang		06/12/16
.XXX +/-	0.20	CHECKED		
FRACTIONS +/-	5'	DRAWING FILE :		
ANGLES +/-		ANGLE OF PROJECTION		
REMOVE SHARP EDGES				
DIMENSIONS		SIZE DRAWING NO.		
U.S.	INCHES	A4		L177RRXXXS
METRIC	MM	SCALE NONE		REV. 7
		SHEET 1 OF 1		

Amphenol
 Amphenol East Asia Limited
 TITLE
 Stamped and formed contact,RR series
 SCALE NONE SHEET 1 OF 1