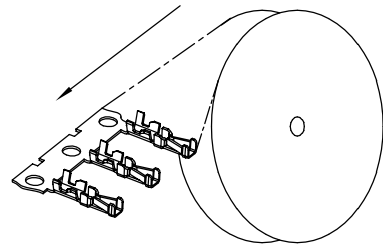
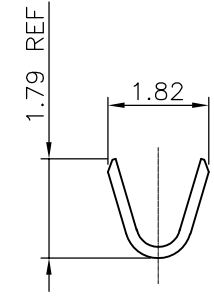


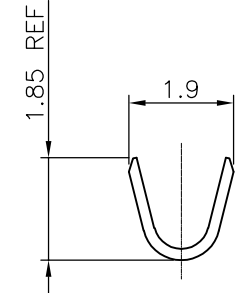
PRODUCT NO.	FINISH	UNREELING DIRECTION
10044403-101LF	NOTE 2a	FIG.1
10044403-T01LF	NOTE 2b	FIG.1
10044403-901LF	NOTE 2c	FIG.1



UNREELING DIRECTION
FIG.1



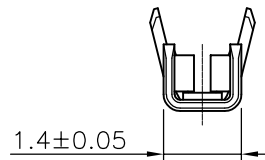
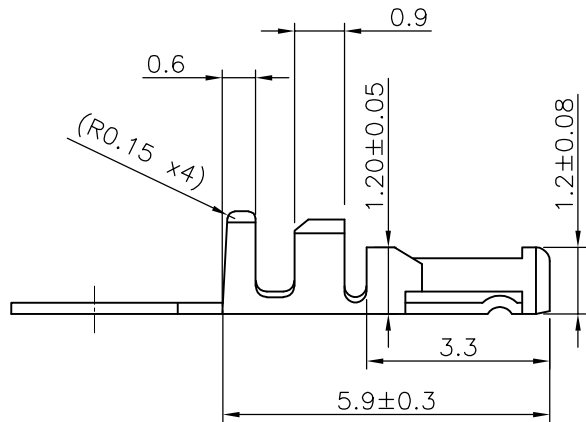
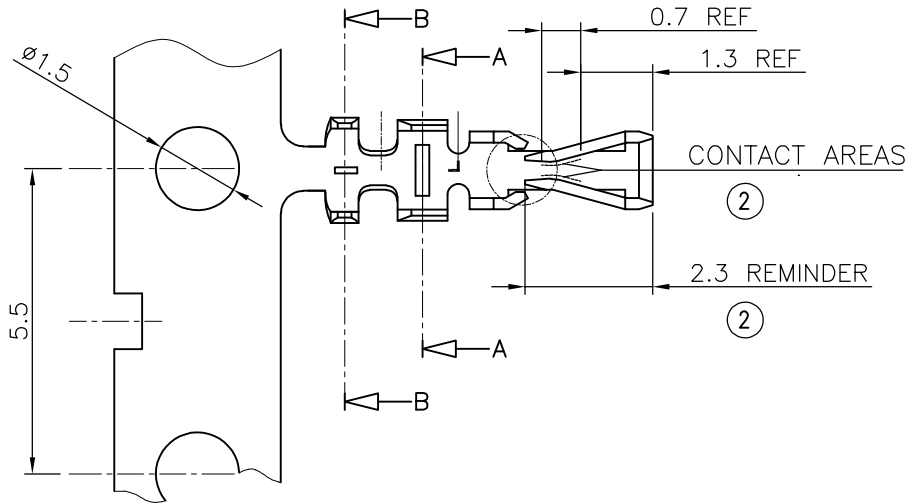
SECTION A-A



SECTION B-B

NOTES

- 1 MATERIAL : PHOSPHOR BRONZE
- ② FINISH : .
 - a- SELECTIVE GOLD PLATING 0.76µm MIN
REMINDER : GOLD FLASH
 - b- 2.5µm-5µm MATTE TIN
REMINDER : 2.5µm-5µm MATTE TIN
 - c- SELECTIVE GOLD PLATING 0.76µm MIN
REMINDER : WITHOUT GOLD FLASH
- UNDERPLATING: 1.27µm Ni MIN FOR BOTH
- 4 GENERAL TOLERANCE : ±0.25
- 5 RECOMMENDED WIRE : LEONI FLRY-A 0.35 (AWG-22)
Ø1.35 MAX
- 5.A FOR OTHER SPECIFIC WIRES, UP TO 26AWG
AND UP TO 1.5mm INSULATION DIAMETER MAY BE USED.
CONTACT FCI FOR INFORMATION.
- 6 THIS PRODUCT MEETS EUROPEAN UNION DIRECTIVES
AND OTHER COUNTRY REGULATIONS AS DESCRIBED IN
GS-22-008
- 7 CRIMP SPECIFICATION AS PER GS-20-058
- 8 PRODUCT SPECIFICATION : GS-12-415



mat'l. code		surface	tolerance	projection	product family
		ISO 1302	ISO 406 ISO 1101		MINITEK
ltr	ecn no	dr	date	tolerances unless otherwise specified	title
D	J07-0092	R.S	07.07.02	angles	CTW MINITEK
E	F08-0182	LMU	08.05.19	linear	
F	F12-0004	JCO	12.01.04	.x ±0.25 .xx ±0.15 .xxx ±0.05	
G	F12-0088	JCO	12.07.17	scale 5:1	NOMINAL AWG22-24 OR AWG22-26
H	F-21709	AMA	15.08.18	dr L.MULIN 08.05.19	dwg no sheet 1 of 1 size
J	F-37050	LMU	20.05.15	enrg J.COMPAGNON 08.05.19	10044403 A3
K	F-42295	DDE	21.09.08	chr	type CUSTOMER Drawing
sheet index	revision sheet				



FCIconnect.com

Copyright FCI