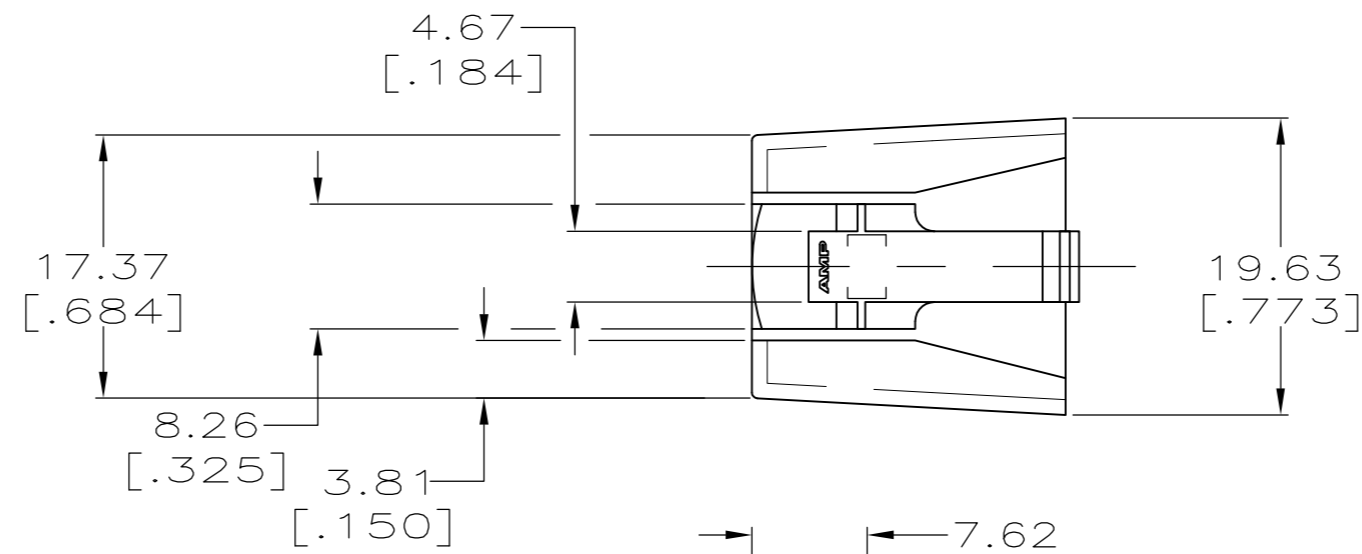
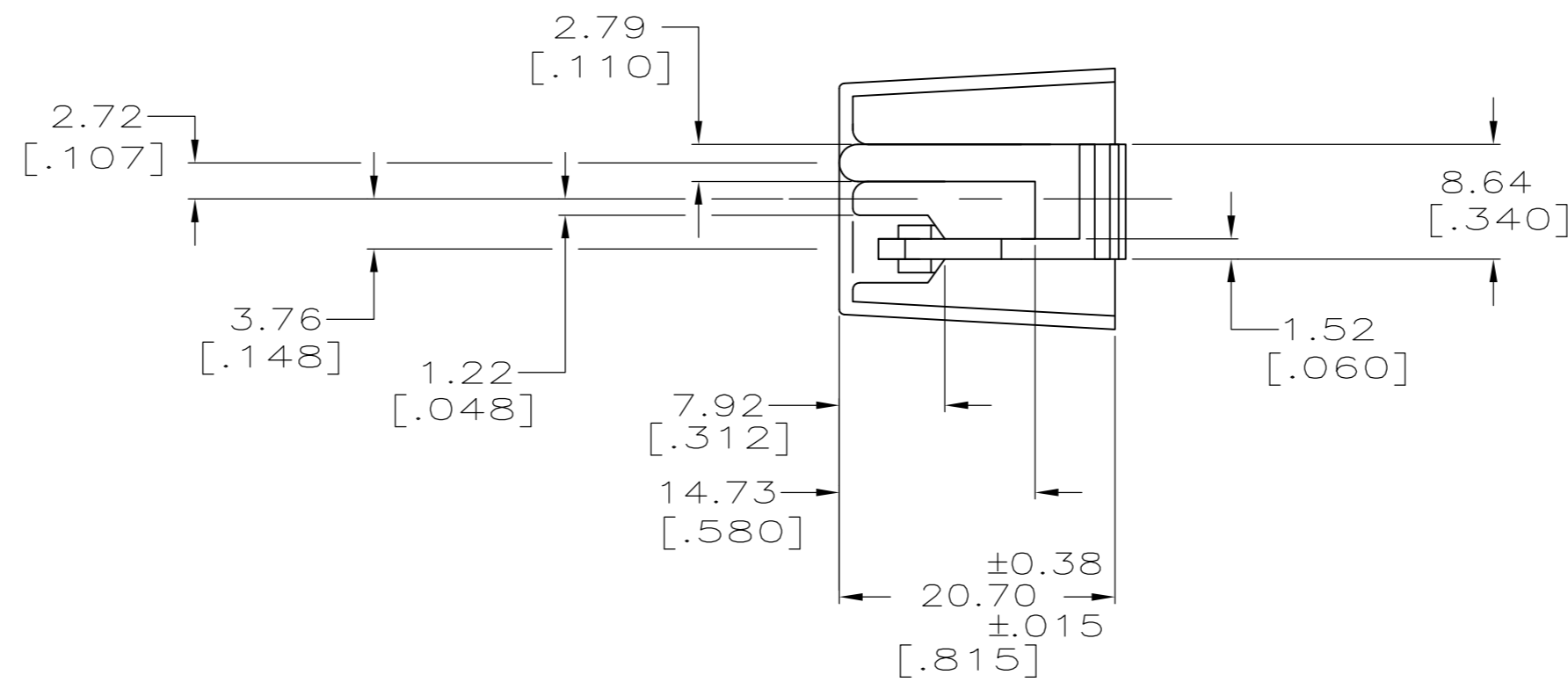
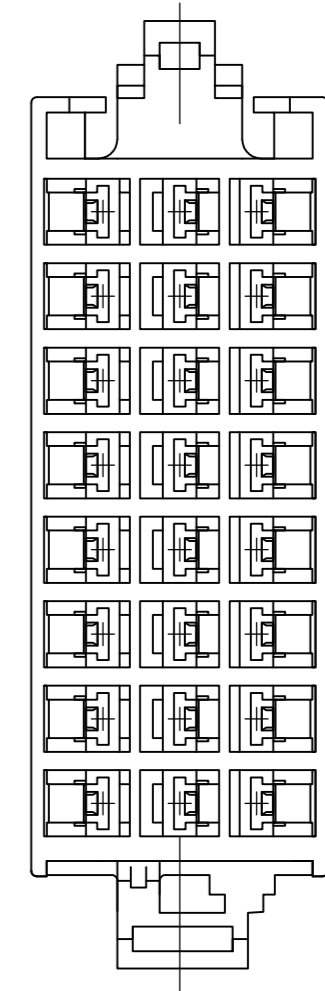
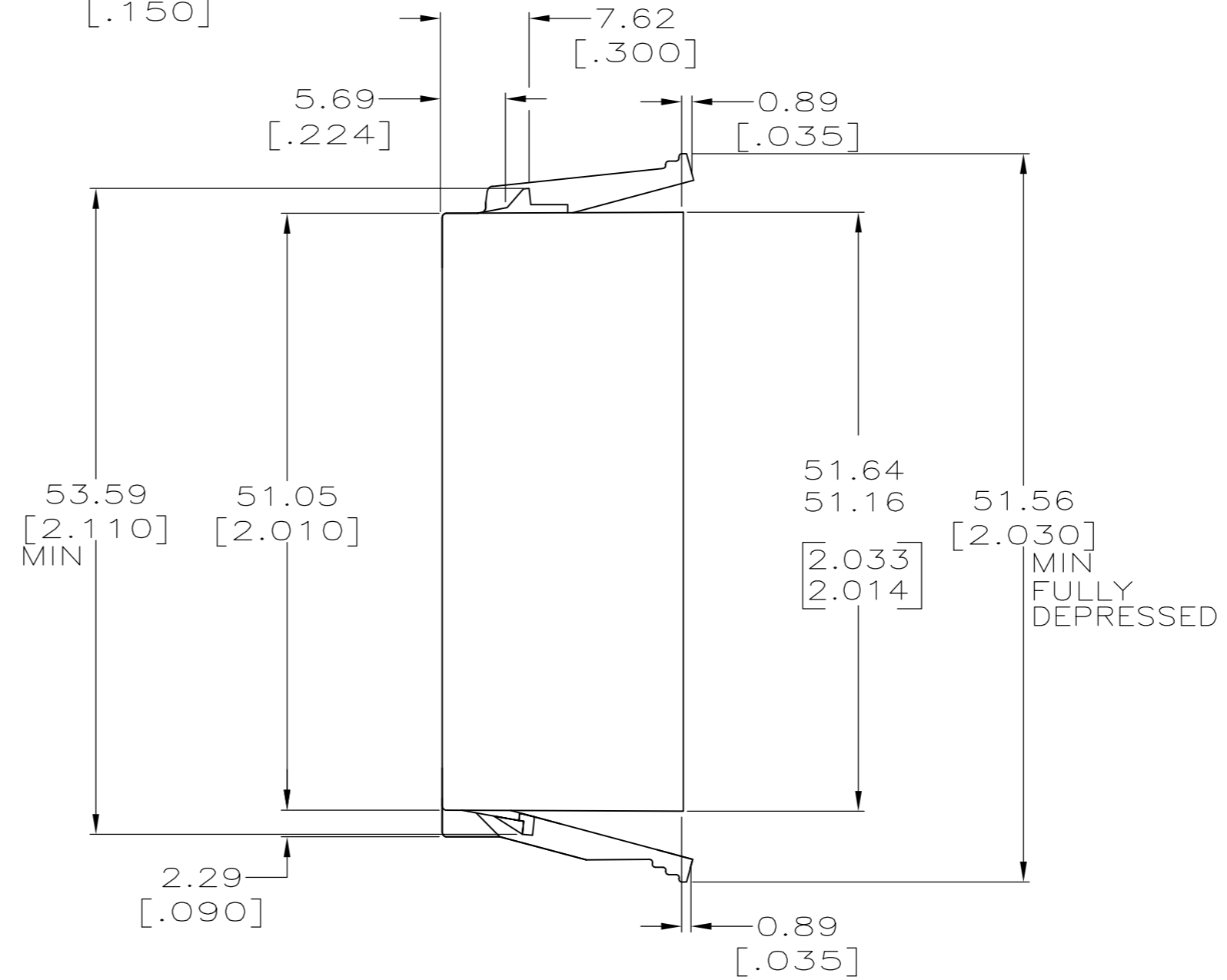
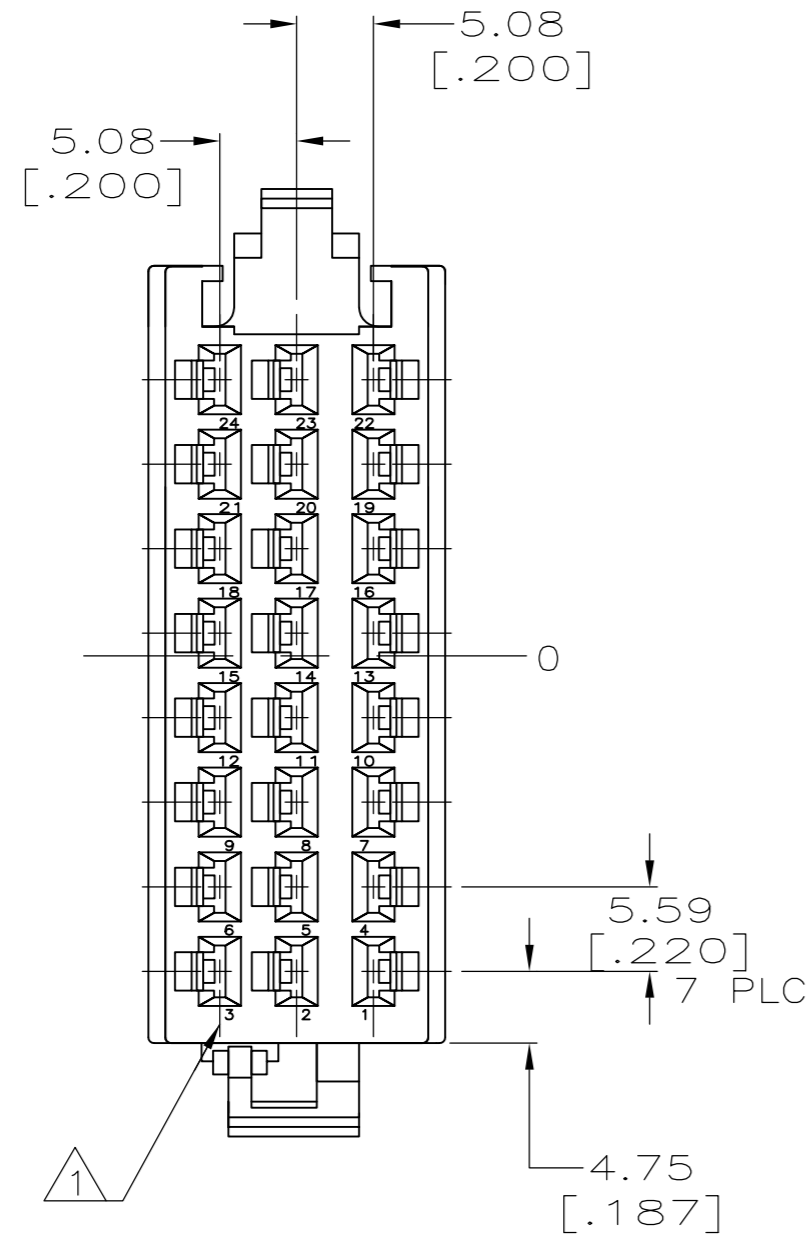


THIS DRAWING IS UNPUBLISHED. RELEASED FOR PUBLICATION  
 © COPYRIGHT - By - ALL RIGHTS RESERVED.

LOC		DIST		REVISIONS			
P	LTR	DESCRIPTION		DATE	DWN	APVD	
AF	50	S1	REVISED PER ECR-11-012152	27JUN11	HMR	GJ	



- 1 CIRCUIT IDENTIFICATION.
- 2 ACCEPTS TERMINAL #770642-( )
- 3 MATES WITH #521063-( ).



770198  
 PART NUMBER

THIS DRAWING IS A CONTROLLED DOCUMENT.		DWN M.S. FEHER 10NOV2000	<b>TE</b> TE Connectivity	
DIMENSIONS: mm [INCHES]		CHK J.R. RUTH 10NOV2000		
TOLERANCES UNLESS OTHERWISE SPECIFIED:		APVD DON DECKER 10NOV2000	NAME TIMER CONNECTOR HOUSING, 24 POS, LEFT HAND, GEN III	
0 PLC ± -		PRODUCT SPEC 108-1271	SIZE A2	CAGE CODE 00779
1 PLC ± -		APPLICATION SPEC 114-49003	DRAWING NO C=770198	RESTRICTED TO -
2 PLC ± 0.25 [.010]		MATERIAL 6/6 NYLON	WEIGHT -	SCALE 2:1
3 PLC ± -		FINISH NATURAL	CUSTOMER DRAWING	SHEET 1 OF 1
4 PLC ± -				REV S1
ANGLES ± -				