



50 ohm MCX plug to MCX jack DC Block inner  
 from 10MHz to 6GHz rated 50 Volt in Brass

## DC Blocks Technical Data Sheet

**PE8269**

### Features

- Inner DC Blocks with Brass Body
- MCX connectorized configuration
- Operates from 10 MHz to 6 GHz
- 50 Ohm Impedance

### Applications

- Test & Measurement
- Ground Loop Elimination
- Signal to Noise Ratio (SNR) Improvement

### Description

Pasternack's PE8269 is an inner DC block with MCX connectors. It has a blocking capacitor on the inner conductor and operates from 10 MHz to 6 GHz. Our MCX DC block offers good insertion loss of 0.5 dB and has a maximum operating voltage of 50 Vdc. DC blocks are commonly used to filter out unwanted DC signals, while allowing AC drive signals to pass through. They can help improve signal to noise ratio (SNR), eliminate ground loops, or provide isolation in your test setup. All of Pasternack's DC blocks are in stock and available to ship same-day.

### Electrical Specifications

Description	Minimum	Typical	Maximum	Units
Frequency Range	0.01		6	GHz
Impedance		50		Ohms
VSWR			1.32:1	
Insertion Loss			0.5	dB
Operating Voltage (DC)			50	Volts

### Mechanical Specifications

#### Size

Length	0.888 in [22.56 mm]
Width	0.276 in [7.01 mm]
Height	0.276 in [7.01 mm]
Weight	0.05 lbs [22.68 g]
Housing Material and Plating	Brass, Tri-Metal

#### Configuration

Package Type Connectorized

Description	Connector 1	Connector 2
Type	MCX Male	MCX Female
Inner Conductor Material and Plating	Beryllium Copper, Gold	Brass, Gold

Click the following link (or enter part number in "SEARCH" on website) to obtain additional part information including price, inventory and certifications: [50 ohm MCX plug to MCX jack DC Block inner from 10MHz to 6GHz rated 50 Volt in Brass PE8269](#)



50 ohm MCX plug to MCX jack DC Block inner  
from 10MHz to 6GHz rated 50 Volt in Brass

## DC Blocks Technical Data Sheet

**PE8269**

**Compliance Certifications** (see [product page](#) for current document)

### Plotted and Other Data

Notes:

50 ohm MCX plug to MCX jack DC Block inner from 10MHz to 6GHz rated 50 Volt in Brass from Pasternack Enterprises has same day shipment for domestic and International orders. Our RF, microwave and millimeter wave products maintain a 99.4% availability and are part of the broadest selection in the industry.

Click the following link (or enter part number in "SEARCH" on website) to obtain additional part information including price, inventory and certifications: [50 ohm MCX plug to MCX jack DC Block inner from 10MHz to 6GHz rated 50 Volt in Brass PE8269](#)

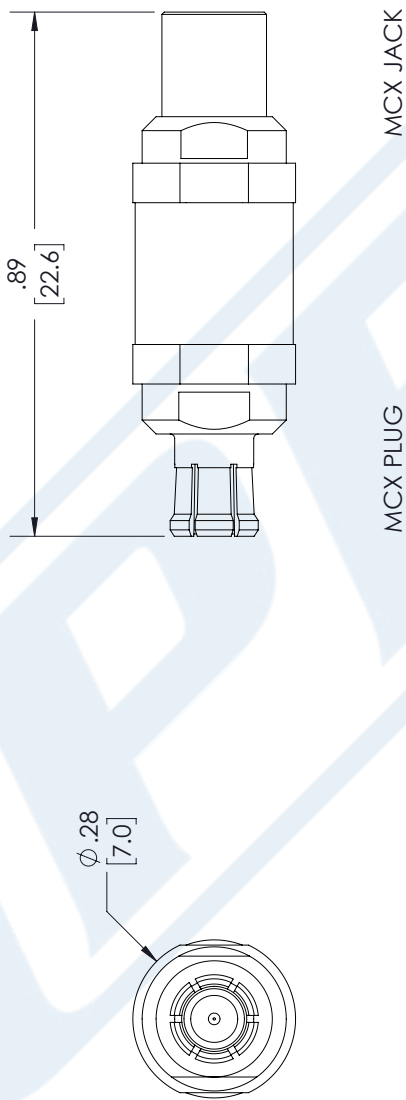
URL: <https://www.pasternack.com/50-ohm-mcx-dc-block-10-mhz-6-ghz-pe8269-p.aspx>

The information contained in this document is accurate to the best of our knowledge and representative of the part described herein. It may be necessary to make modifications to the part and/or the documentation of the part, in order to implement improvements. Pasternack reserves the right to make such changes as required. Unless otherwise stated, all specifications are nominal. Pasternack does not make any representation or warranty regarding the suitability of the part described herein for any particular purpose, and Pasternack does not assume any liability arising out of the use of any part or documentation.

# PE8269 CAD Drawing

50 ohm MCX plug to MCX jack DC Block inner from 10MHz to 6GHz rated 50 Volt in Brass

REVISIONS			
REV.	DESCRIPTION	DATE	APPROVED
A	INITIAL RELEASE	1/25/22	JNAJERA



UNLESS OTHERWISE SPECIFIED  
LEADING DIMENSIONS ARE INCHES  
DIMENSIONS IN [ ] ARE MILLIMETERS

TOLERANCES:  
 .X = ±.2 [5.08]    FRACTIONS ± 1/32  
 .XX = ±.02 [.51]    ANGLES ± 1°  
 .XXX = ±.005 [.13]

CABLE LENGTH (L) TOLERANCES:  
 L ≤ 12 [305] = +1 [25] / -0  
 12 [305] < L ≤ 60 [1524] = +2 [51] / -0  
 60 [1524] < L ≤ 120 [3048] = +4 [102] / -0  
 120 [3048] < L ≤ 300 [7620] = +6 [152] / -0  
 300 [7620] < L = +5%L / -0

ALL DIMENSIONS SHOWN  
ARE FOR REFERENCE ONLY.

**PE PASTERNAK**  
an INFINITE brand

Pasternack Enterprises, Inc.  
P.O. Box 16759, Irvine, CA 92623.  
Phone: 1.949.261.1920 | 1.866.727.8376  
Fax: 1.949.261.7451  
Website: www.pasternack.com  
E-mail: sales@pasternack.com

ITEM NO. PE8269  
DRAWN BY HBAKKE  
CAGE CODE A 53919

THIRD-ANGLE PROJECTION

THE INFORMATION AND DESIGN IN THIS DOCUMENT IS THE PROPERTY OF PASTERNAK CORPORATION. ALL RIGHTS RESERVED.

SHEET 1 OF 1  
SCALE N/A

REV A