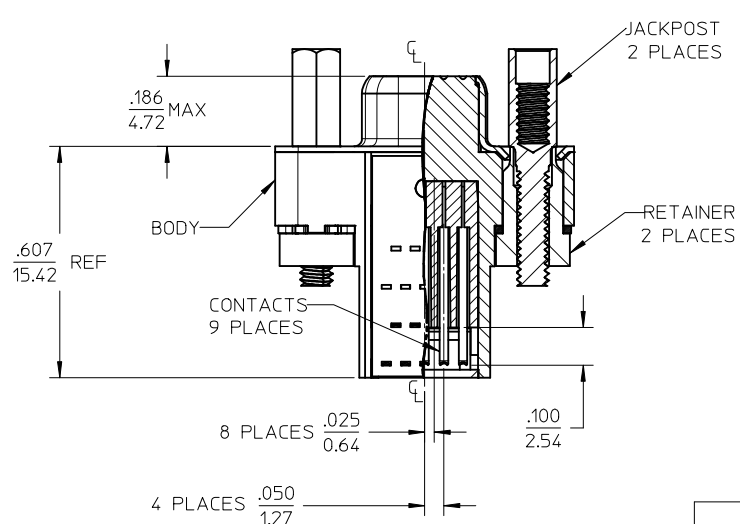
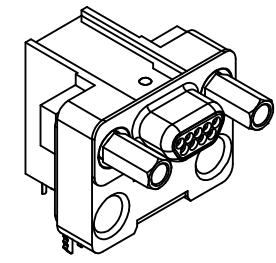
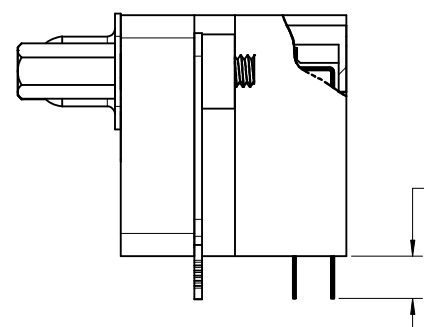
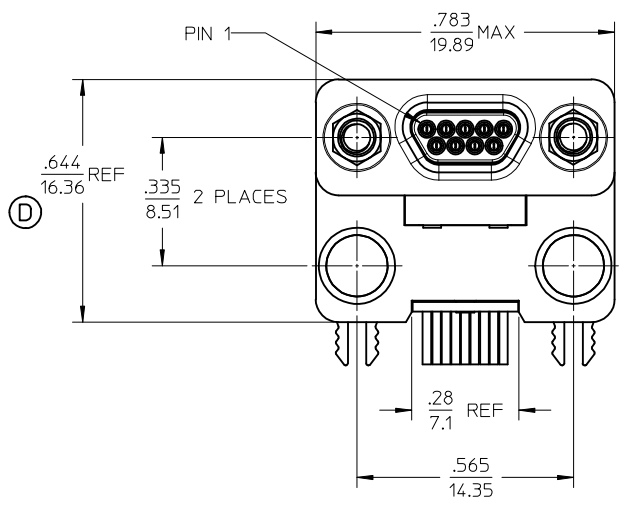


10 9 8 7 6 5 4 3 2 1



SALES DRAWING

NOTES:  
 1. MUST BE ROHS COMPLIANT  
 2. .055/1.40 RECOMMENDED PANEL THICKNESS

REVISE DIM EC NO: WNA2010-0136 DRWN: BRUPERT 2009/08/26 CHKD: BRUPERT 2009/08/26 APPR: JFMURPHY 2009/09/22	QUALITY SYMBOLS ▽=0 □=0	GENERAL TOLERANCES (UNLESS SPECIFIED)		DIMENSION STYLE IN/MM		SCALE 3:1	DESIGN UNITS INCH	THIRD ANGLE PROJECTION		
			mm	INCH	DRAWN BY	DATE	TITLE			
		4 PLACES ± ---	± ---	± ---	JLOMASTRO	05/08/19	9 CIRCUIT HIGH STACK COMMERCIAL MICRO D HEADER			
		3 PLACES ± ---	± .005	± .005	CHECKED BY	DATE				
2 PLACES ± 0.13	± .01	± .01	RDEROSS	05/08/19	MOLEX INCORPORATED					
1 PLACE ± 0.25	± ---	± ---	APPROVED BY	DATE						
ANGULAR ±1/2°				JFMURPHY	2009/08/26	MATERIAL NO. 836199203		DOCUMENT NO. SD-83619-010		
DRAFT WHERE APPLICABLE MUST REMAIN WITHIN DIMENSIONS				SIZE A3		THIS DRAWING CONTAINS INFORMATION THAT IS PROPRIETARY TO MOLEX INCORPORATED AND SHOULD NOT BE USED WITHOUT WRITTEN PERMISSION				

9 8 7 6 5 4 3 2 1