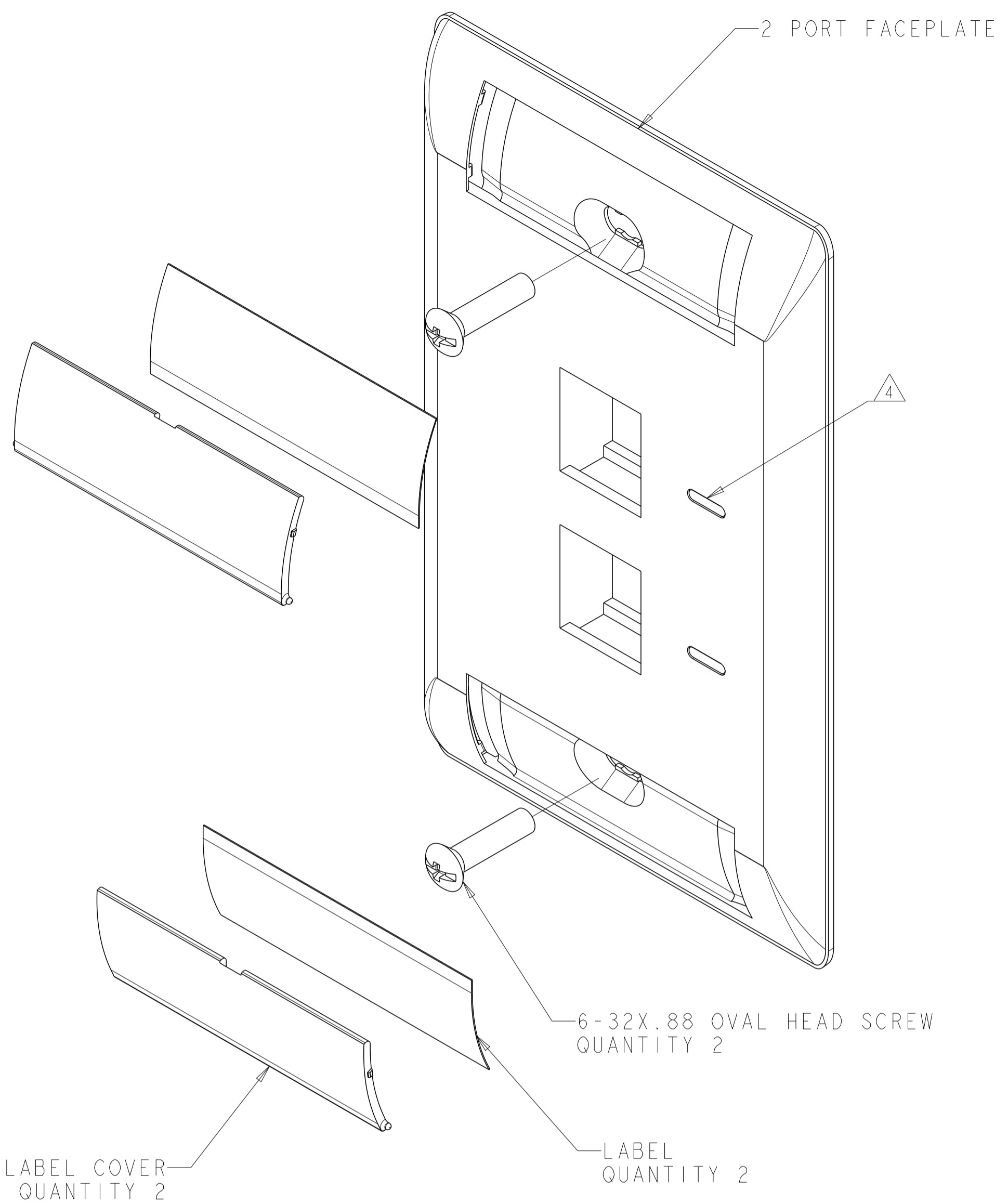
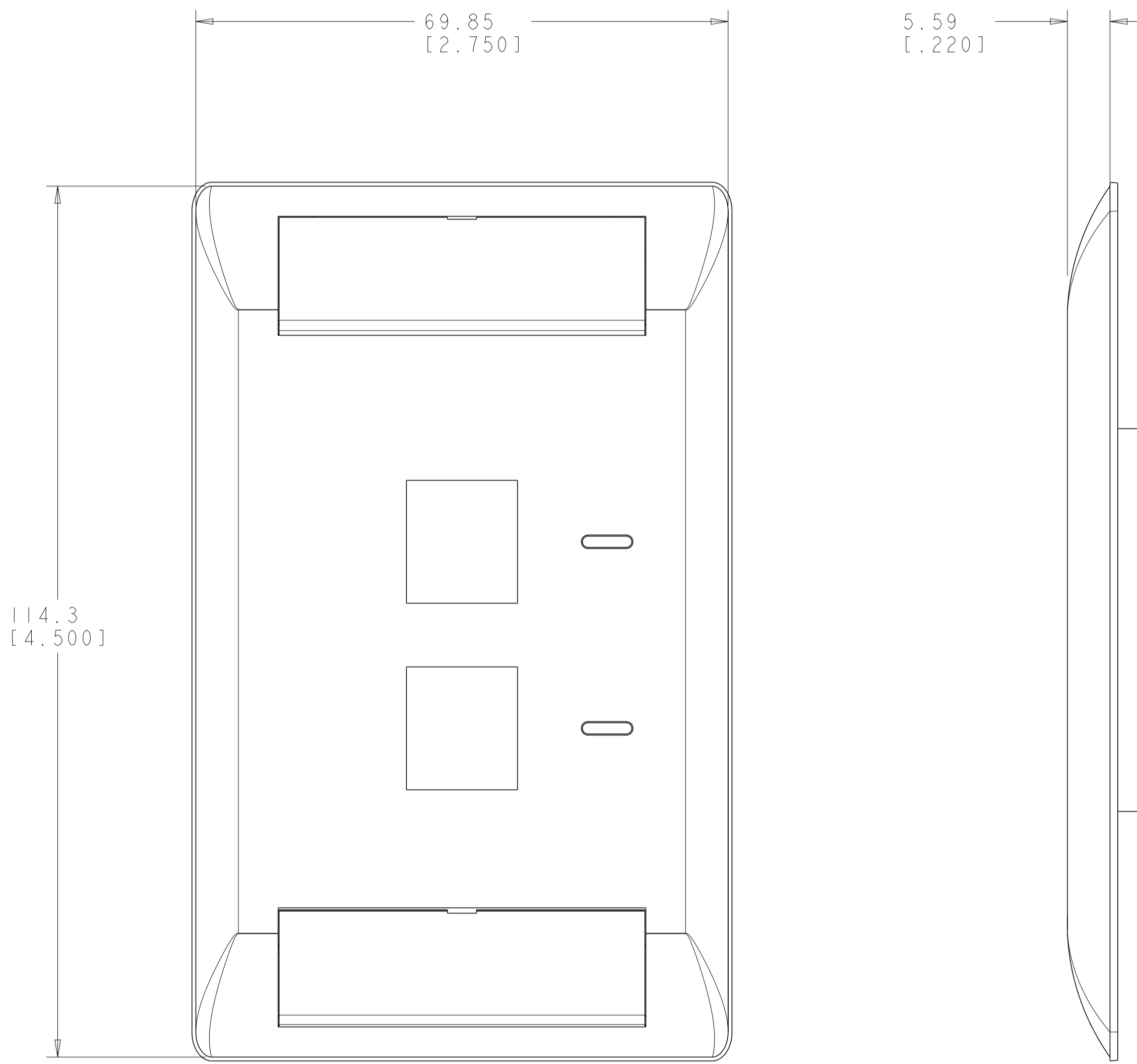


THIS DRAWING IS UNPUBLISHED. RELEASED FOR PUBLICATION 20
 COPYRIGHT 20 BY - ALL RIGHTS RESERVED.

REVISIONS				
P	LTN	DESCRIPTION	DATE	APPD
A	RLSD;	ECO-10-002954	09FEB2010	GG RA
B	REV;	40026397MCO	11NOV2015	GG LS



- ⚠ DIMENSIONS ARE NOMINAL UNLESS OTHERWISE SPECIFIED.
- ⚠ MATERIAL:
FACEPLATE - POLYCARBONATE MOLDING COMPOUND. SEE TABLE FOR COLORS.
SCREWS - ZINC PLATED CARBON STEEL.
LABEL COVER - POLYCARBONATE MOLDING COMPOUND, CLEAR.
LABEL - WHITE INDEX PAPER.
- 3. THIS KIT SHIPPED NOT ASSEMBLED.
- ⚠ MOLD OVER ICON FEATURE.



ALPINE WHITE	1-2111009-3
ELECTRIC IVORY	1-2111009-1
NEMA GRAY	2111009-4
BLACK	2111009-2
LIGHT ALMOND	2111009-1
COLOR	PART NUMBER

THIS DRAWING IS A CONTROLLED DOCUMENT.

DIMENSIONS: MM [INCHES]	TOLERANCES UNLESS OTHERWISE SPECIFIED:	0 PLC ±	1 PLC ±	2 PLC ±	3 PLC ±	4 PLC ±	ANGLES ±	FINISH ±
		±	±	±	±	±	±	±
		⚠	⚠	⚠	⚠	⚠	⚠	⚠

MATERIAL:
 FINISH:
 WEIGHT:
 Customer Drawing

DWN: G. GARRETT 31MAR2009
 CHK: R. ASHBY 31MAR2009
 APPD: R. ASHBY 31MAR2009

NAME: KIT, FACEPLATE, COMMERCIAL, SINGLE GANG, 2 PORT
 PRODUCT SPEC: -
 APPLICATION SPEC: -
 SIZE: A100779 C=2111009
 CAGE CODE: -
 DRAWING NO: 2111009
 RESTRICTED TO: -

SCALE: 2:1 SHEET 1 OF 1 REV B