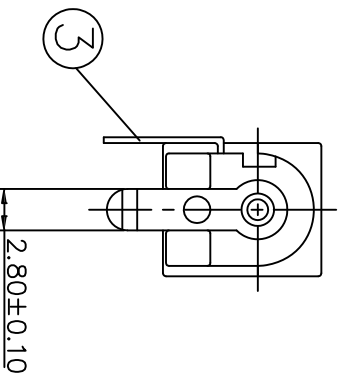
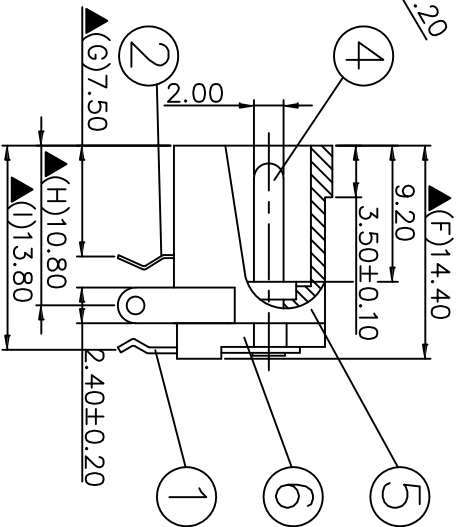
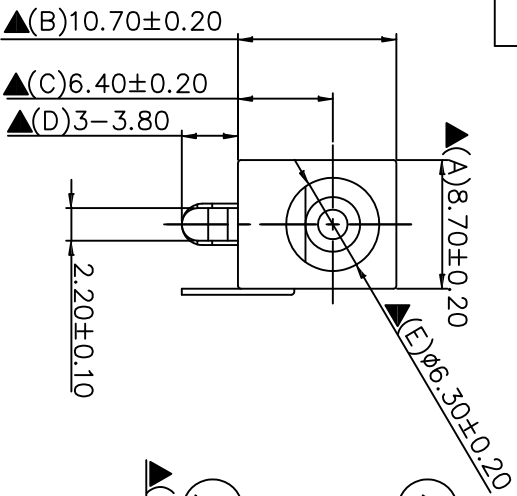
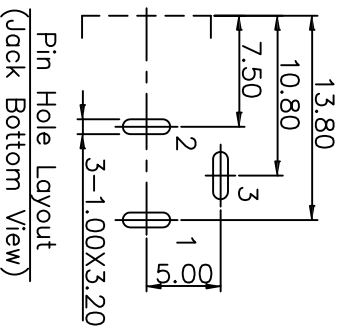


SCHEMATIC	
MODEL NO	C



NO.	Description	Material	Q'TY	Finish
6.	Cover	PBT+50% Fibre Glass	1	Black Color
5.	Housing	PBT+50% Fibre Glass	1	Black Color
4.	Pin(2.0Ø)	Copper	1	Nickel Plated
3.	Breck Terminal	0.4T Brass	1	Silver Plated
2.	Sleeve Spring	0.2T Phosphor Bronze	1	Silver Plated
1.	Pin Terminal	0.4T Brass	1	Silver Plated



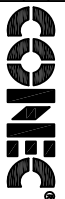
SPECIFICATIONS:
 Contact Resistance : 30mΩ max
 Current Rating : Max 5.0A , 24V DC
 Insulation Resistance : 100MΩ min. at DC 500V
 Dielectric Withstand Voltage : AC 500V for one minute
 (A -I) are important Dimensions



THIS DRAWING MAY NOT BE COPIED OR REPRODUCED IN ANY WAY, AND MAY NOT BE PASSED ON TO A THIRD PARTY WITHOUT WRITTEN PERMISSION. OWNERSHIP AND COPYRIGHT OF CONEC CORPORATION

DO NOT ALTER CAD DRAWING BY HAND

CONEC CORPORATION Brampton, Ontario		tolerance unless otherwise specified Decimal: .xx mm: .03	name DIN in mm	scale:
rev./description	date	name	title:	material: SEE SPECIFICATIONS
a Original	Jan/10/2013	Robert	DC POWER JACK (OD: 2.00mm)	drawing no.: AutoCAD 2004
b				part no.: 33DCJ-0202-A
drawn	2005	date		DIN A3
appd.	April 27	Vincent Ke		sheet 1/1
norm	April 27	J. Chaudry		
q-oid				



used for: