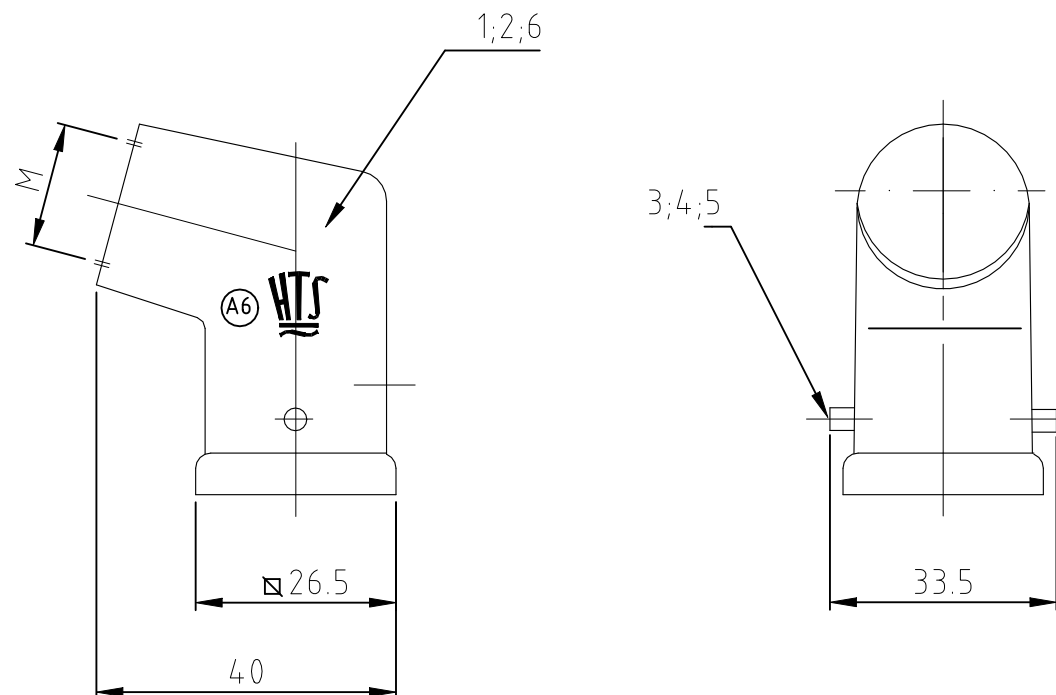


MATED WITH:
 Bg1

P	LTR	DESCRIPTION BESCHREIBUNG	DATE	DWN	APVD
	A8	ECR-21-123564	07JUL2022	RK	JB



Notes

- ① Material: zinc diecast
- ② Surface: hammer scales varnish or powder coated corrosion protection
- ③ Varnish on the inside not necessarily
- ④ Special packing
Packaging quantity 200 pieces
- ⑤ Packaging quantity 10 pieces

Obsolete	Obsolete	Obsolete	Obsolete	DESCRIPTION	MATERIAL	SURFACE	COLOR	ITEM NO. POS.	REMARKS
	1			HA3/hood	zinc diecast		black	6	
	2			clip bolt	steel	zinc plated	blue	5	
		2	2	clip bolt	stainless steel			4	
2			2	clip bolt	steel	zinc plated	blue	3	
		1		HA3/hood	zinc diecast		black	2	
1		1	1	HA3/hood	zinc diecast		grey	1	
0-4	0-5	0-3	0-2	0-1					
④	⑤	⑤	⑤	⑤					
HA-3.STW.1.M16.Z.KM	HA-K.3.STW.1.M20.Z	HA.3.STW.1.M20.Z-SO	HA-K.3.STW.1.M16.Z	HA.3.STW.1.M16.Z					

THIS DRAWING IS A CONTROLLED DOCUMENT. DIESE ZEICHNUNG IST EIN KONTROLLIERTES DOKUMENT.		DWN Schneider 15.08.01	TE Connectivity Hood HA.3.Stw.1.M Steckergehaeuse HA.3.Stw.1.M		
DIMENSIONS: MASSENEHTEIN: mm		CHK Schnurpfeil 15.08.01			
TOLERANCES UNLESS OTHERWISE SPECIFIED: ALL GEMEINTOLERANZEN n. ISO 2768 n. DIN 16001 - 140 °E		APVD -			
0 PLC ± 1 PLC ± 2 PLC ± 3 PLC ± 4 PLC ± ANGLES / WINKEL ± -		PRODUCT SPEC 108-74000			
MATERIAL		APPLICATION SPEC 114-74002	NAME	SIZE	CAGE CODE
FINISH/OBERFLAECHE/FARBE		WEIGHT GEWICHT	DRAWING NO ZEICHNUNGS-NR.	A3	00779
		CUSTOMER DRAWING/KUNDENZEICHNUNG		G=1106406	
		SCALE MASSTAB		1:1	SHEET BLATT
		RESTRICTED TO NUR FUER		1	REV A8