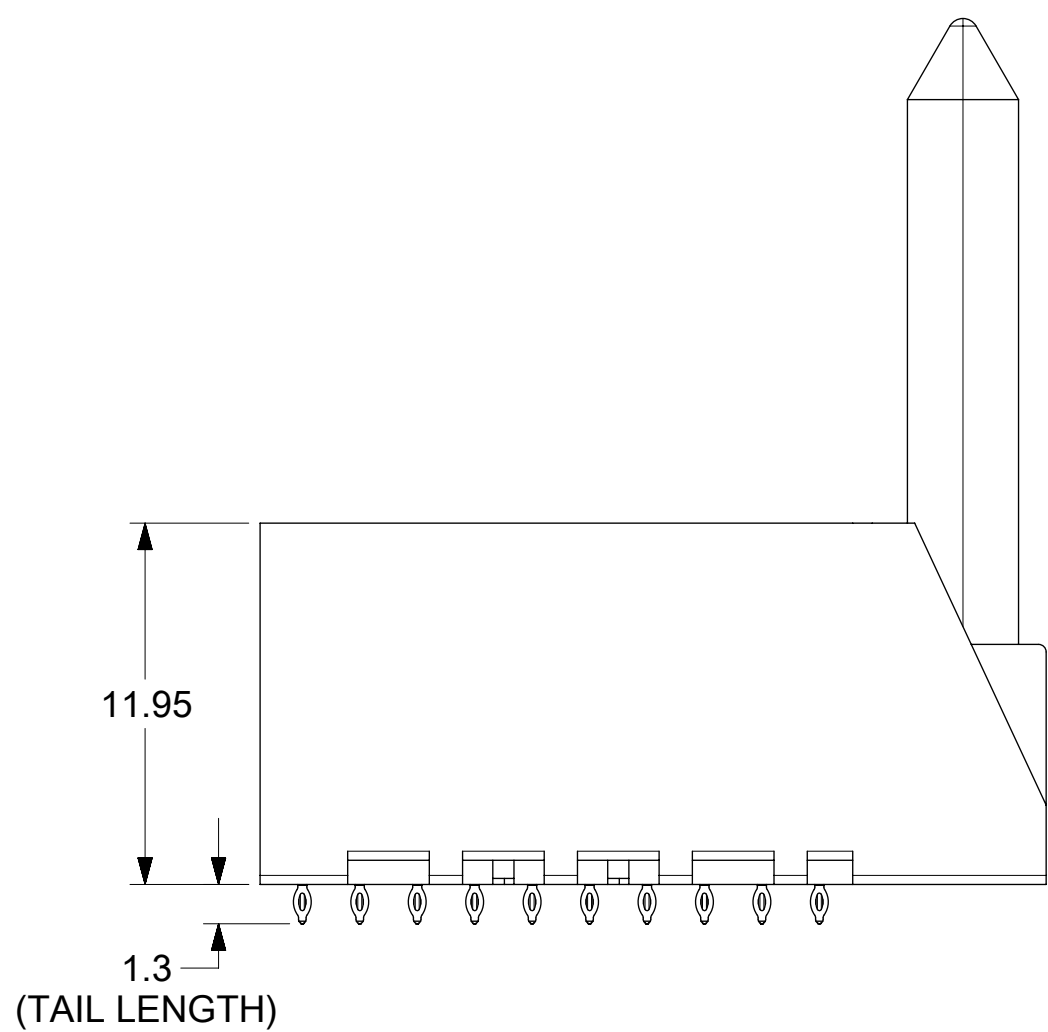


KEY SHOWN
IN POSITION "A"

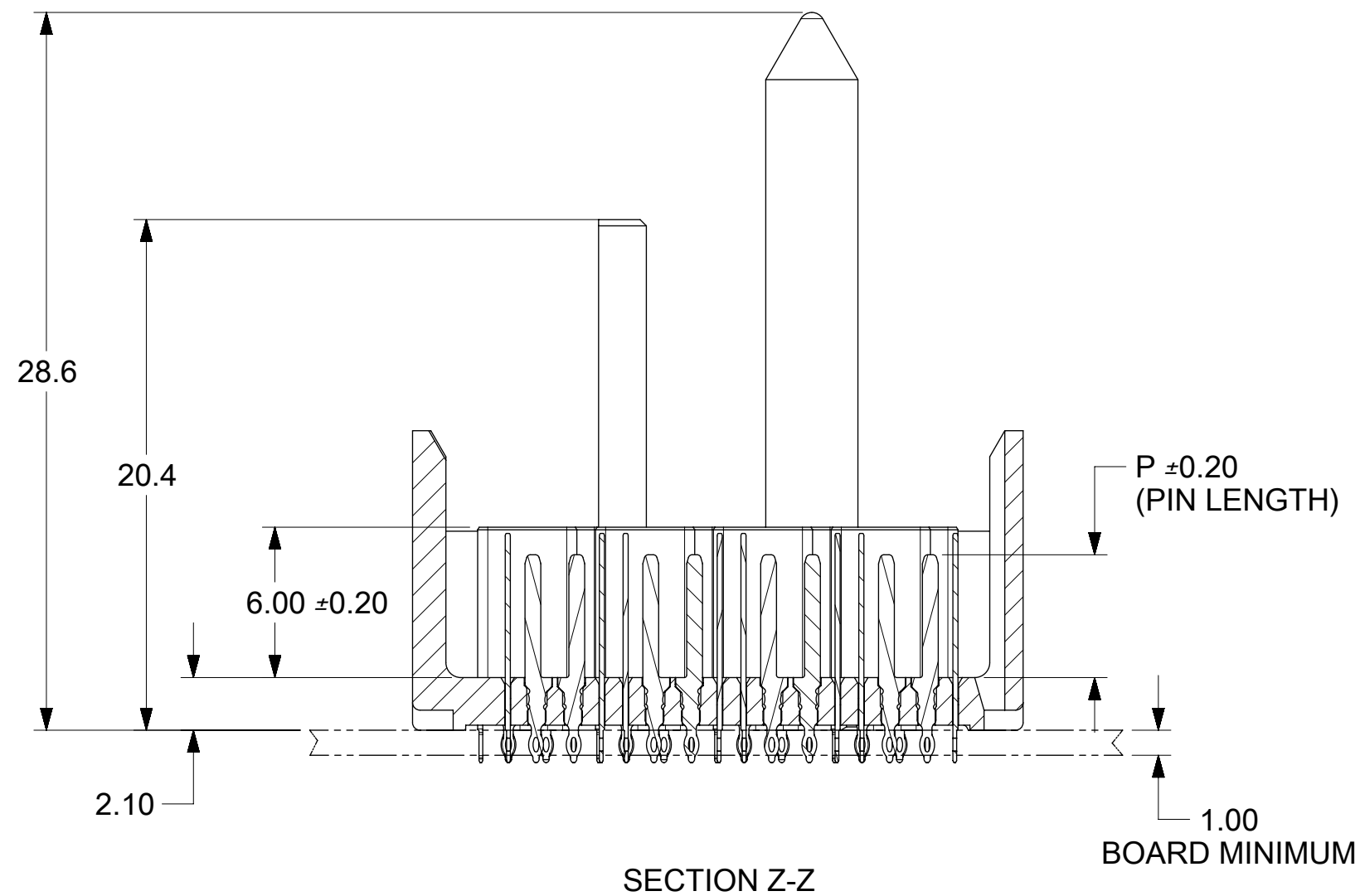
NOTES:

- MATERIALS: HOUSING - LIQUID CRYSTAL POLYMER (LCP)
GLASS-FILLED, UL94V-0
TERMINALS - HIGH PERFORMANCE COPPER ALLOY
- FINISH: 30uIN GOLD IN CONTACT AREA.
SELECTIVE TIN ON PCB TAILS.
NICKEL OVERALL.
- REFER TO MOLEX PRODUCT SPECIFICATION PS-171320-999 FOR PERFORMANCE SPECIFICATIONS.
- THIS PART CONFORMS TO CLASS B REQUIREMENTS OF MOLEX COSMETIC SPEC PS-45499-002.
- PRODUCT WILL BE PACKAGED PER PK-78888-084.
- SEE SHEETS 2, 3, 4, AND 5 FOR HOLE PATTERN AND MATED PART DIMENSIONS.
- MATES WITH IMPEL DC SERIES NUMBER 171320.
- REFER TO IMPEL PCB ROUTING GUIDE AS-171320-990 FOR ANTIPAD, ROUTING RECOMMENDATIONS, AND ADDITIONAL PCB INFORMATION.
- WHEN STACKING MODULES END TO END, THE MINIMUM COLUMN TO COLUMN SPACING IS 2.65mm.
- THE KEEP-OUT ZONE FOR THE BP HOUSING LENGTH INCLUDES THE NECESSARY SPACE REQUIRED FOR THE MATING DAUGHTERCARD HOUSING.
- PART IS SUPPLIED WITH ONE 2-56 UNC-2A SCREW.



NOTCH DESIGNATES
ROW A

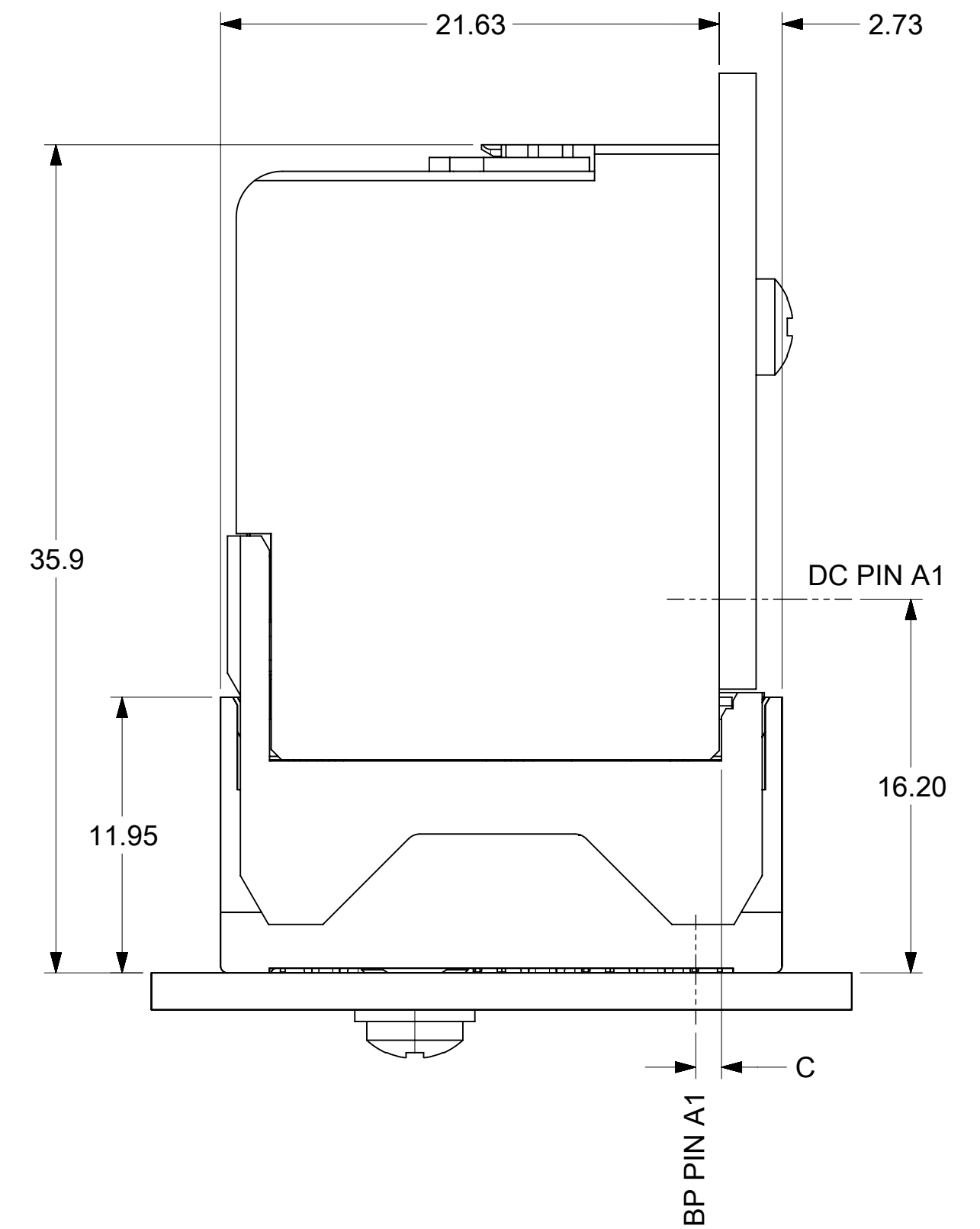
GUIDE RIGHT
VERSION



SECTION Z-Z

THIS DRAWING CONTAINS INFORMATION THAT IS PROPRIETARY TO MOLEX ELECTRONIC TECHNOLOGIES, LLC AND SHOULD NOT BE USED WITHOUT WRITTEN PERMISSION																			
DIMENSION UNITS		SCALE		CURRENT REV DESC: REMOVE 96** PN LOGIC															
mm		NTS		<p>IMPEL 4 PAIR BACKPLANE GUIDED RIGHT ASSEMBLY SALES DRAWING</p> <p>PRODUCT CUSTOMER DRAWING</p> <table border="1"> <tr> <td colspan="2">DOCUMENT NUMBER</td> <td>DOC TYPE</td> <td>DOC PART</td> <td>REVISION</td> </tr> <tr> <td colspan="2">SD-171315-0004</td> <td>PSD</td> <td>001</td> <td>A3</td> </tr> </table>						DOCUMENT NUMBER		DOC TYPE	DOC PART	REVISION	SD-171315-0004		PSD	001	A3
DOCUMENT NUMBER		DOC TYPE	DOC PART							REVISION									
SD-171315-0004		PSD	001							A3									
GENERAL TOLERANCES (UNLESS SPECIFIED)																			
ANGULAR TOL ± 0.5°																			
4 PLACES ±		EC NO: 612521																	
3 PLACES ±		DRWN: HLG0H 2019/02/21																	
2 PLACES ± 0.13		CHK'D: JLTAN06 2019/02/21																	
1 PLACE ± 0.25		APPR: DWLEE01 2019/02/22																	
0 PLACES ±		INITIAL REVISION:																	
DRAFT WHERE APPLICABLE MUST REMAIN WITHIN DIMENSIONS		THIRD ANGLE PROJECTION		DRAWING		SERIES		MATERIAL NUMBER											
				C-SIZE		171315		SEE CHART											
DOCUMENT STATUS		RELEASE DATE		CUSTOMER		SHEET NUMBER													
P1		2019/02/22 02:37:11		GENERAL MARKET		1 OF 5													

MATERIAL NUMBER	NUMBER OF COLUMNS	NUMBER OF DIFF PAIR	DIM "A"	DIM "B"	DIM "C"	DIM "P"	PTH ϕ
171315-53*4	6	24	18.40	9.50	1.10	4.90	0.46±0.05
171315-53*5	6	24	18.40	9.50	1.10	5.50	0.46±0.05
171315-53*7	6	24	18.40	9.50	1.20	4.90	0.36±0.05
171315-53*8	6	24	18.40	9.50	1.20	5.50	0.36±0.05
171315-58*4	8	32	22.20	13.30	1.10	4.90	0.46±0.05
171315-58*5	8	32	22.20	13.30	1.10	5.50	0.46±0.05
171315-58*7	8	32	22.20	13.30	1.20	4.90	0.36±0.05
171315-58*8	8	32	22.20	13.30	1.20	5.50	0.36±0.05
171315-51*4	10	40	26.00	17.10	1.10	4.90	0.46±0.05
171315-51*5	10	40	26.00	17.10	1.10	5.50	0.46±0.05
171315-51*7	10	40	26.00	17.10	1.20	4.90	0.36±0.05
171315-51*8	10	40	26.00	17.10	1.20	5.50	0.36±0.05
171315-52*4	12	48	29.80	20.90	1.10	4.90	0.46±0.05
171315-52*5	12	48	29.80	20.90	1.10	5.50	0.46±0.05
171315-52*7	12	48	29.80	20.90	1.20	4.90	0.36±0.05
171315-52*8	12	48	29.80	20.90	1.20	5.50	0.36±0.05
171315-56*4	16	64	37.40	28.50	1.10	4.90	0.46±0.05
171315-56*5	16	64	37.40	28.50	1.10	5.50	0.46±0.05
171315-56*7	16	64	37.40	28.50	1.20	4.90	0.36±0.05
171315-56*8	16	64	37.40	28.50	1.20	5.50	0.36±0.05



MATED PART DIMENSIONS

171315- * * * *

MODULE TYPE
5 = GUIDE RIGHT
9 = GUIDE RIGHT END WALL

OF COLUMNS
3 = 6 COL
8 = 8 COL
1 = 10 COL
2 = 12 COL
6 = 16 COL

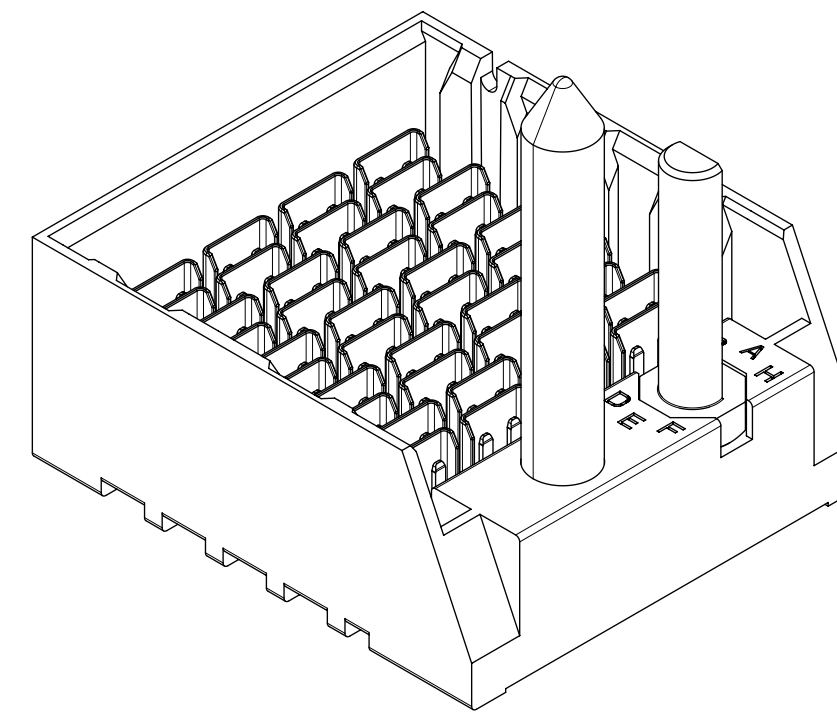
PIN LENGTH (P)
4 = 4.90 (0.46 PTH)
5 = 5.50 (0.46 PTH)
7 = 4.90 (0.36 PTH)
8 = 5.50 (0.36 PTH)


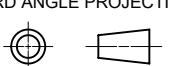
KEY ORIENTATION
0 = NO KEY
1 = A
2 = B
3 = C
4 = D
5 = E
6 = F
7 = G
8 = H

THIS DRAWING CONTAINS INFORMATION THAT IS PROPRIETARY TO MOLEX ELECTRONIC TECHNOLOGIES, LLC AND SHOULD NOT BE USED WITHOUT WRITTEN PERMISSION									
DIMENSION UNITS		SCALE		CURRENT REV DESC: REMOVE 96** PN LOGIC				molex	
mm		NTS							
GENERAL TOLERANCES (UNLESS SPECIFIED)				EC NO: 612521				IMPEL 4 PAIR BACKPLANE	
ANGULAR TOL ± 0.5°				DRWN: HLG0H 2019/02/21				GUIDED RIGHT ASSEMBLY SALES DRAWING	
4 PLACES ±				CHK'D: JLTAN06 2019/02/21				PRODUCT CUSTOMER DRAWING	
3 PLACES ±				APPR: DWLEE01 2019/02/22				DOCUMENT NUMBER	
2 PLACES ± 0.13				INITIAL REVISION:				SD-171315-0004	
1 PLACE ± 0.25				DRWN: BJANOWIAK 2012/11/29				DOC TYPE	
0 PLACES ±				APPR: BJANOWIAK 2012/12/05				DOC PART	
DRAFT WHERE APPLICABLE MUST REMAIN WITHIN DIMENSIONS				THIRD ANGLE PROJECTION		DRAWING		REVISION	
				C-SIZE		SERIES		A3	
				171315		MATERIAL NUMBER		SEE CHART	
						CUSTOMER		GENERAL MARKET	
						SHEET NUMBER		2 OF 5	

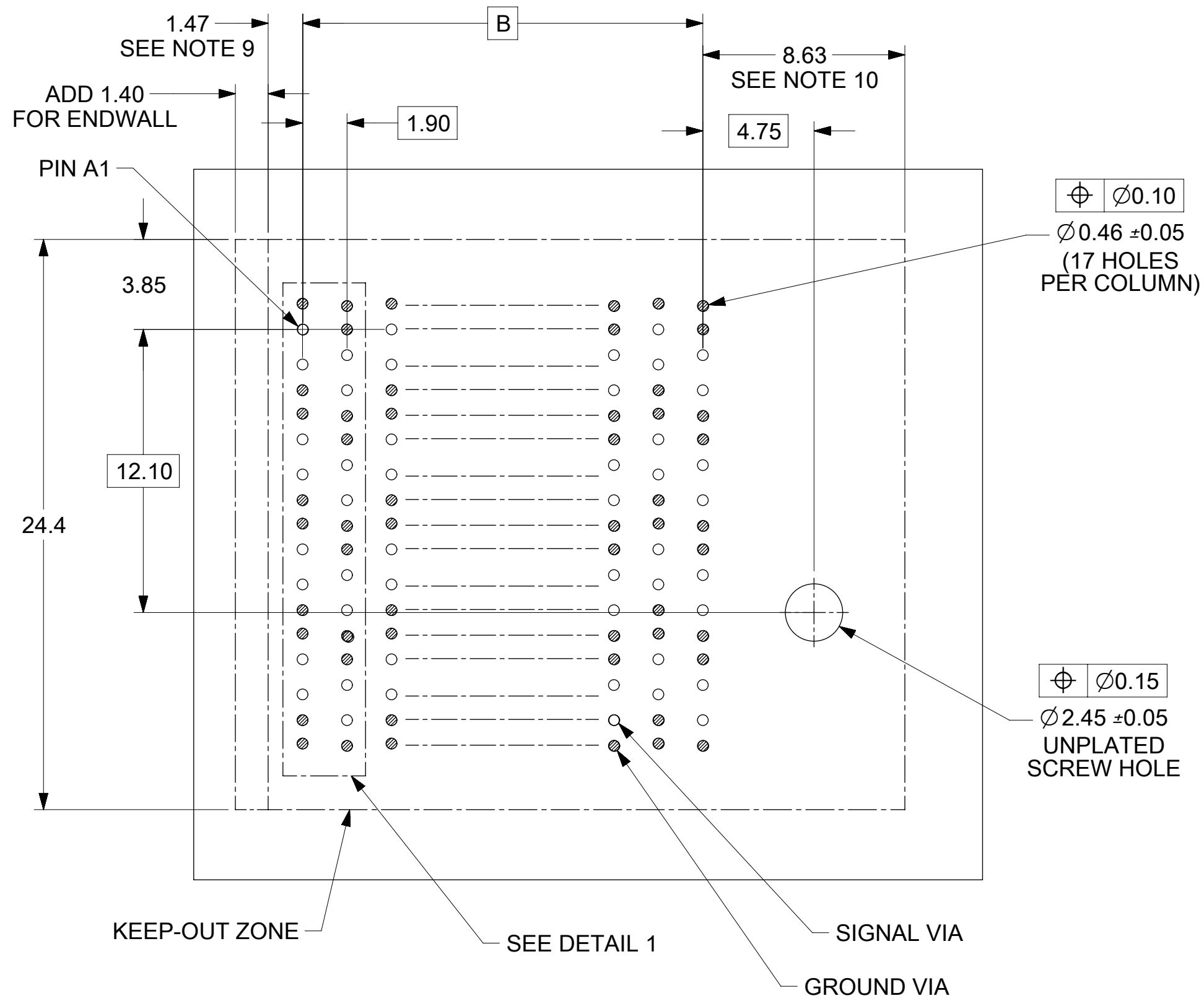
MATERIAL NUMBER	NUMBER OF COLUMNS	NUMBER OF DIFF PAIR	DIM "A"	DIM "B"	DIM "C"	DIM "P"	PTH ϕ
171315-93*4	6	24	19.80	9.50	1.10	4.90	0.46±0.05
171315-93*5	6	24	19.80	9.50	1.10	5.50	0.46±0.05
171315-93*7	6	24	19.80	9.50	1.20	4.90	0.36±0.05
171315-93*8	6	24	19.80	9.50	1.20	5.50	0.36±0.05
171315-98*4	8	32	23.60	13.30	1.10	4.90	0.46±0.05
171315-98*5	8	32	23.60	13.30	1.10	5.50	0.46±0.05
171315-98*7	8	32	23.60	13.30	1.20	4.90	0.36±0.05
171315-98*8	8	32	23.60	13.30	1.20	5.50	0.36±0.05
171315-91*4	10	40	27.40	17.10	1.10	4.90	0.46±0.05
171315-91*5	10	40	27.40	17.10	1.10	5.50	0.46±0.05
171315-91*7	10	40	27.40	17.10	1.20	4.90	0.36±0.05
171315-91*8	10	40	27.40	17.10	1.20	5.50	0.36±0.05
171315-92*4	12	48	31.20	20.90	1.10	4.90	0.46±0.05
171315-92*5	12	48	31.20	20.90	1.10	5.50	0.46±0.05
171315-92*7	12	48	31.20	20.90	1.20	4.90	0.36±0.05
171315-92*8	12	48	31.20	20.90	1.20	5.50	0.36±0.05

GUIDE RIGHT
END WALL VERSION

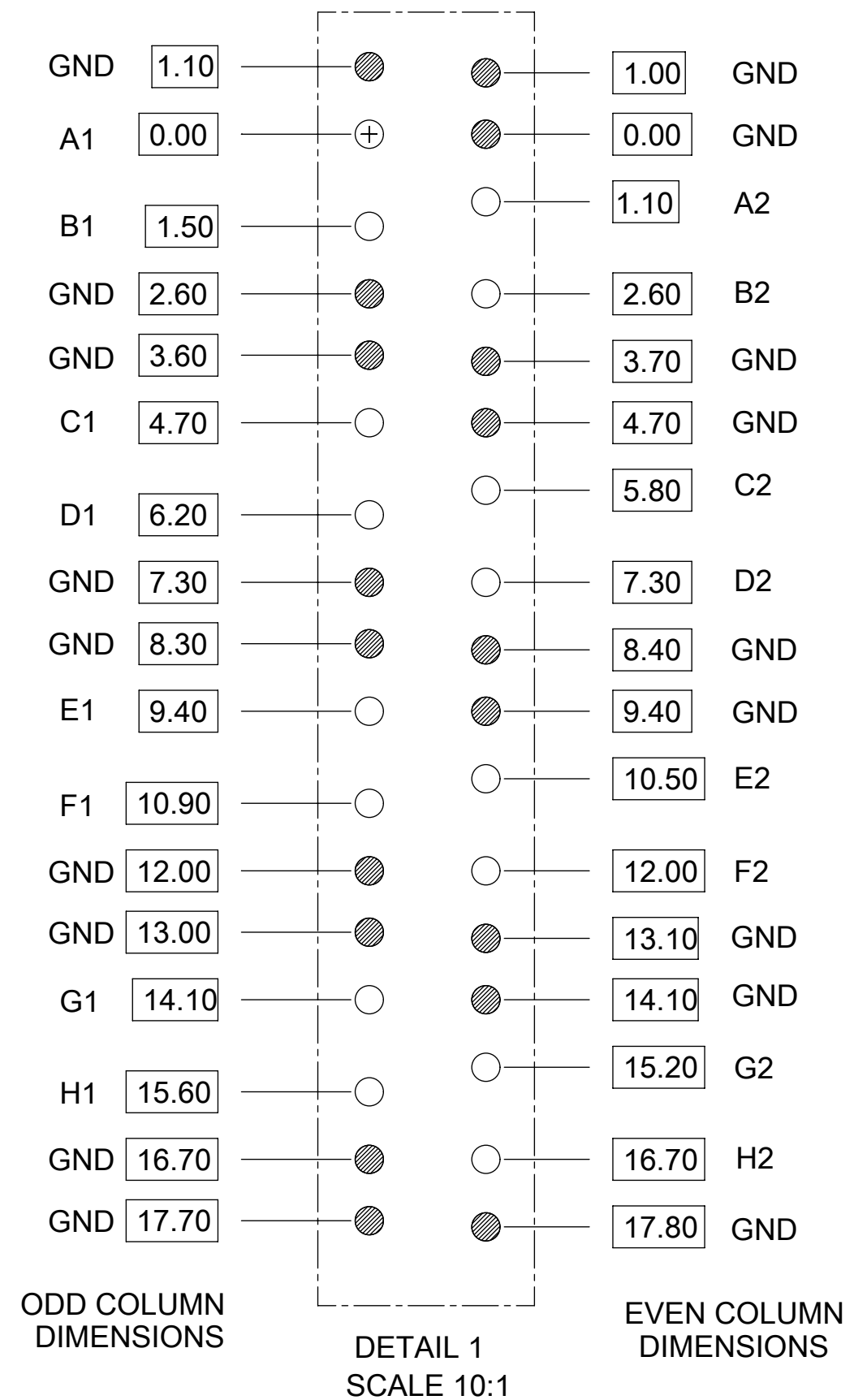


THIS DRAWING CONTAINS INFORMATION THAT IS PROPRIETARY TO MOLEX ELECTRONIC TECHNOLOGIES, LLC AND SHOULD NOT BE USED WITHOUT WRITTEN PERMISSION									
DIMENSION UNITS		SCALE		CURRENT REV DESC: REMOVE 96** PN LOGIC					
mm		NTS							
GENERAL TOLERANCES (UNLESS SPECIFIED)				EC NO: 612521				IMPEL 4 PAIR BACKPLANE GUIDED RIGHT ASSEMBLY SALES DRAWING PRODUCT CUSTOMER DRAWING	
ANGULAR TOL ± 0.5°				DRWN: HLG0H 2019/02/21					
4 PLACES ±				CHK'D: JLTAN06 2019/02/21					
3 PLACES ±				APPR: DWLEE01 2019/02/22				DOCUMENT NUMBER	
2 PLACES ± 0.13				INITIAL REVISION:					
1 PLACE ± 0.25				DRWN: BJANOWIAK 2012/11/29				SD-171315-0004	
0 PLACES ±				APPR: BJANOWIAK 2012/12/05					
DRAFT WHERE APPLICABLE MUST REMAIN WITHIN DIMENSIONS		THIRD ANGLE PROJECTION		DRAWING		SERIES		SHEET NUMBER	
				C-SIZE		171315		3 OF 5	
MATERIAL NUMBER		CUSTOMER		SEE CHART		GENERAL MARKET			

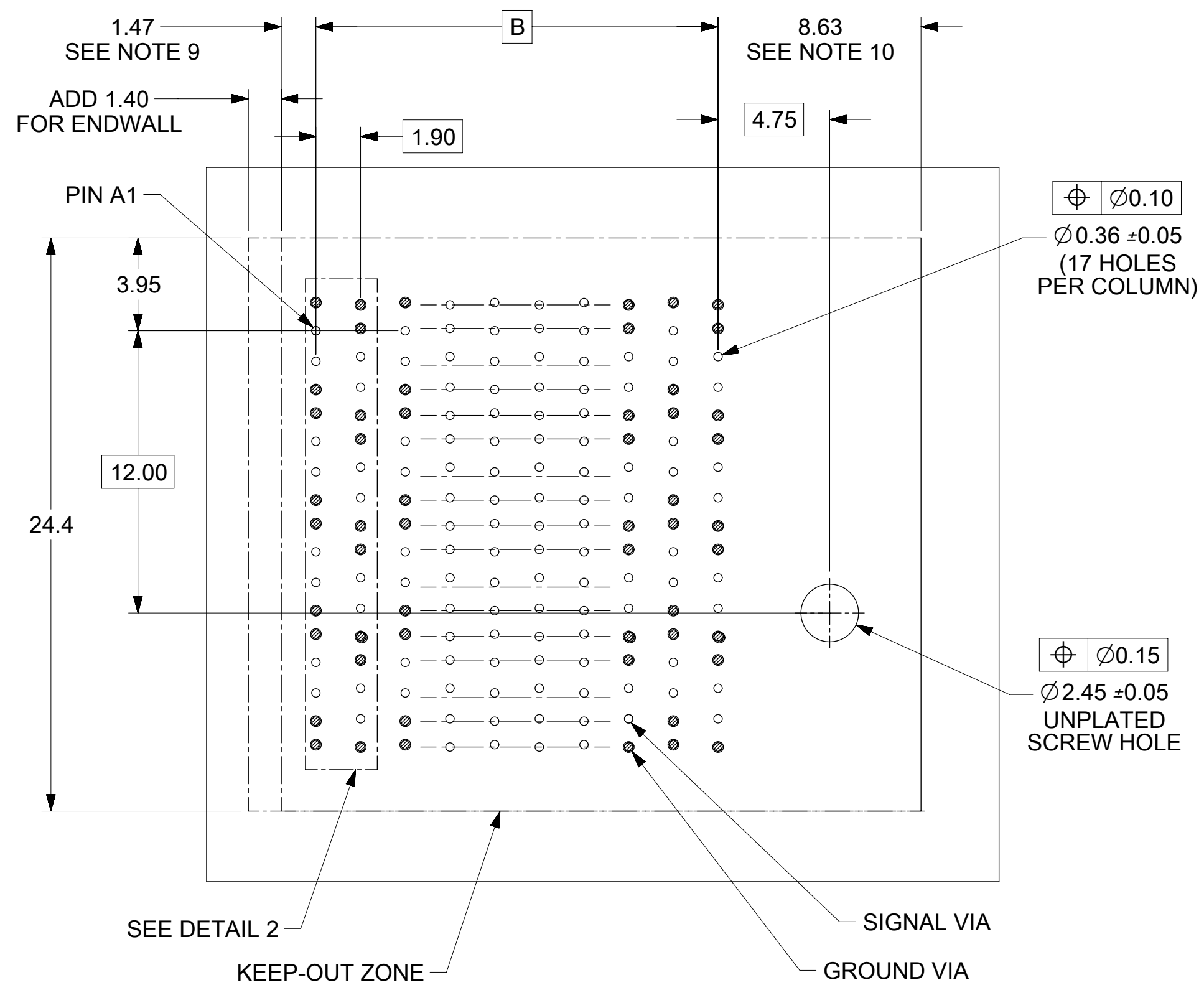
DOCUMENT STATUS	P1	RELEASE DATE	2019/02/22	02:37:11
-----------------	----	--------------	------------	----------



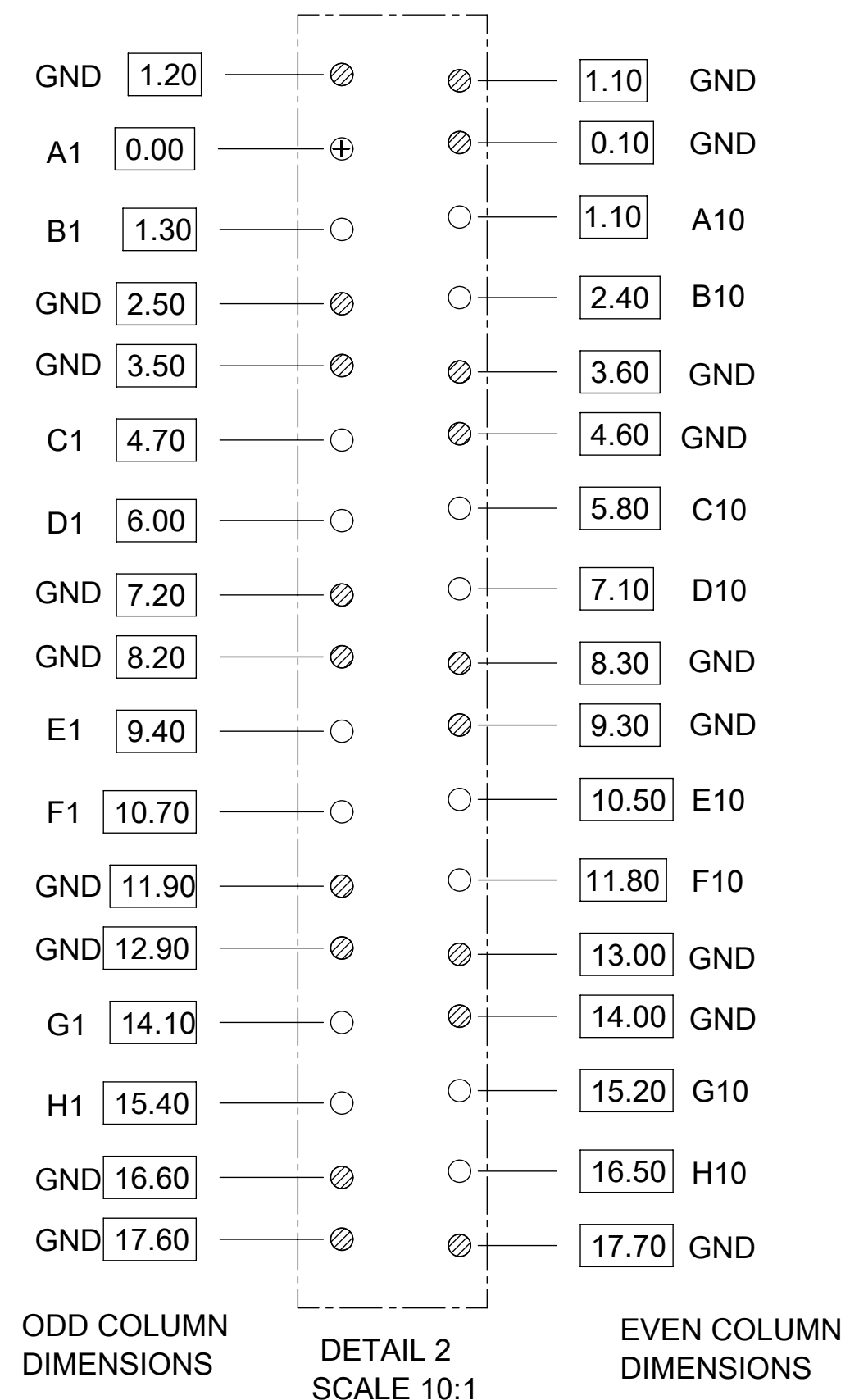
BACKPLANE HOLE PATTERN
FOR Ø0.46 PTH
(CONNECTOR SIDE)



THIS DRAWING CONTAINS INFORMATION THAT IS PROPRIETARY TO MOLEX ELECTRONIC TECHNOLOGIES, LLC AND SHOULD NOT BE USED WITHOUT WRITTEN PERMISSION									
DIMENSION UNITS		SCALE		CURRENT REV DESC: REMOVE 96** PN LOGIC				molex	
mm		NTS							
GENERAL TOLERANCES (UNLESS SPECIFIED)				EC NO: 612521				IMPEL 4 PAIR BACKPLANE GUIDED RIGHT ASSEMBLY SALES DRAWING	
ANGULAR TOL ± 0.5°				DRWN: HLG0H 2019/02/21					
4 PLACES ±				CHK'D: JLTAN06 2019/02/21				PRODUCT CUSTOMER DRAWING	
3 PLACES ±				APPR: DWLEE01 2019/02/22					
2 PLACES ± 0.13				INITIAL REVISION:				DOCUMENT NUMBER	
1 PLACE ± 0.25				DRWN: BJANOWIAK 2012/11/29					
0 PLACES ±				APPR: BJANOWIAK 2012/12/05				SD-171315-0004	
DRAFT WHERE APPLICABLE MUST REMAIN WITHIN DIMENSIONS		THIRD ANGLE PROJECTION		DRAWING		SERIES		MATERIAL NUMBER	
				C-SIZE		171315		SEE CHART	
DOCUMENT STATUS		RELEASE DATE		CUSTOMER		SHEET NUMBER		REVISION	
P1		2019/02/22 02:37:11		GENERAL MARKET		4 OF 5		A3	



BACKPLANE HOLE PATTERN
FOR Ø0.36 PTH
(CONNECTOR SIDE)



ODD COLUMN DIMENSIONS

DETAIL 2 SCALE 10:1

EVEN COLUMN DIMENSIONS

THIS DRAWING CONTAINS INFORMATION THAT IS PROPRIETARY TO MOLEX ELECTRONIC TECHNOLOGIES, LLC AND SHOULD NOT BE USED WITHOUT WRITTEN PERMISSION									
DIMENSION UNITS		SCALE		CURRENT REV DESC: REMOVE 96** PN LOGIC					
mm		NTS							
GENERAL TOLERANCES (UNLESS SPECIFIED)				EC NO: 612521				IMPEL 4 PAIR BACKPLANE GUIDED RIGHT ASSEMBLY SALES DRAWING	
ANGULAR TOL		± 0.5°		DRWN: HLG0H		2019/02/21			
4 PLACES		±		CHK'D: JLTAN06		2019/02/21			
3 PLACES		±		APPR: DWLEE01		2019/02/22		PRODUCT CUSTOMER DRAWING	
2 PLACES		± 0.13		INITIAL REVISION:				DOCUMENT NUMBER	
1 PLACE		± 0.25		DRWN: BIANOWIAK		2012/11/29		SD-171315-0004	
0 PLACES		±		APPR: BIANOWIAK		2012/12/05		PSD 001 A3	
DRAFT WHERE APPLICABLE MUST REMAIN WITHIN DIMENSIONS			THIRD ANGLE PROJECTION		DRAWING		SERIES		MATERIAL NUMBER
					C-SIZE		171315		SEE CHART
									CUSTOMER
									GENERAL MARKET
									SHEET NUMBER
									5 OF 5

DOCUMENT STATUS	P1	RELEASE DATE	2019/02/22	02:37:11
-----------------	----	--------------	------------	----------