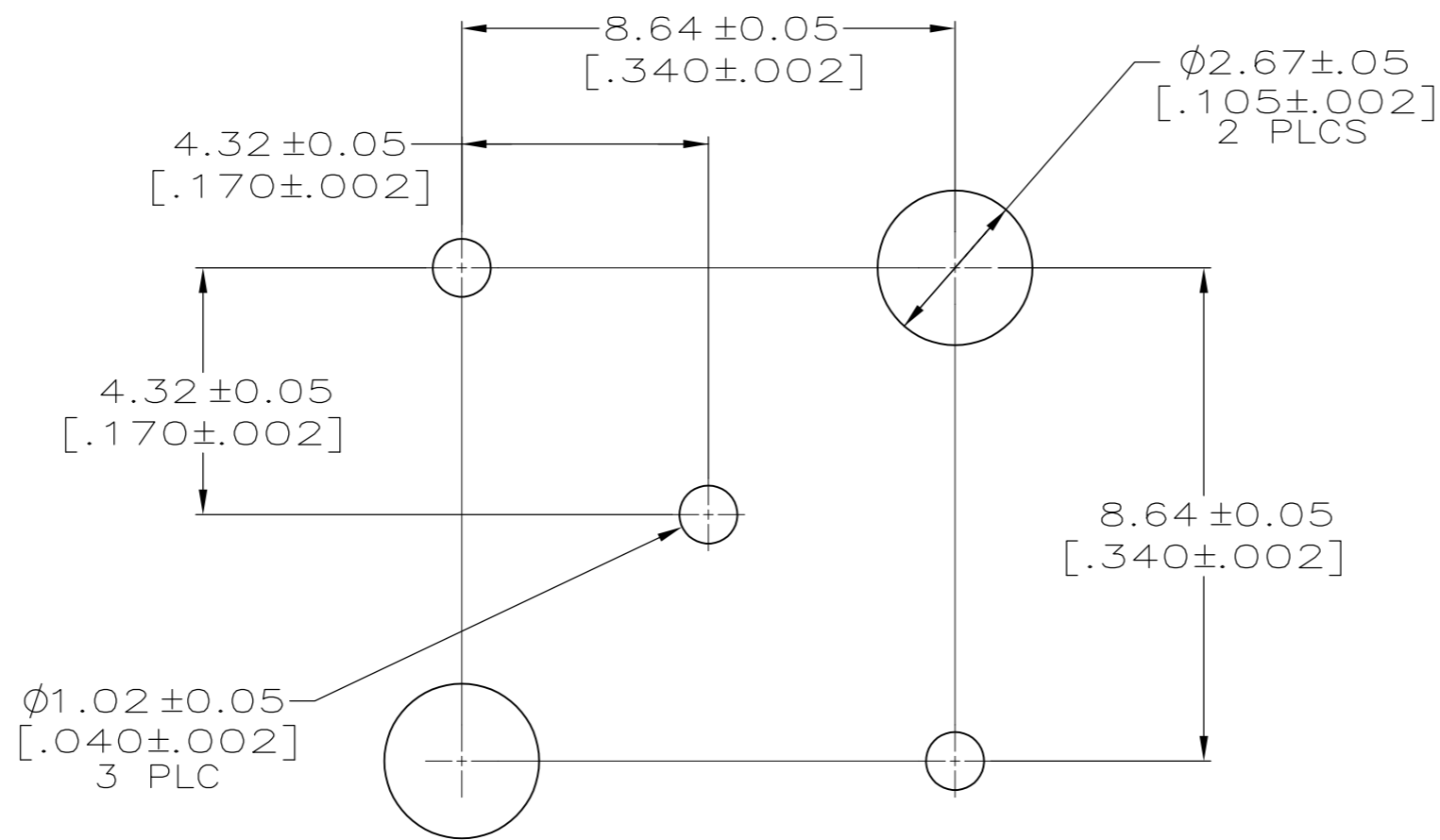
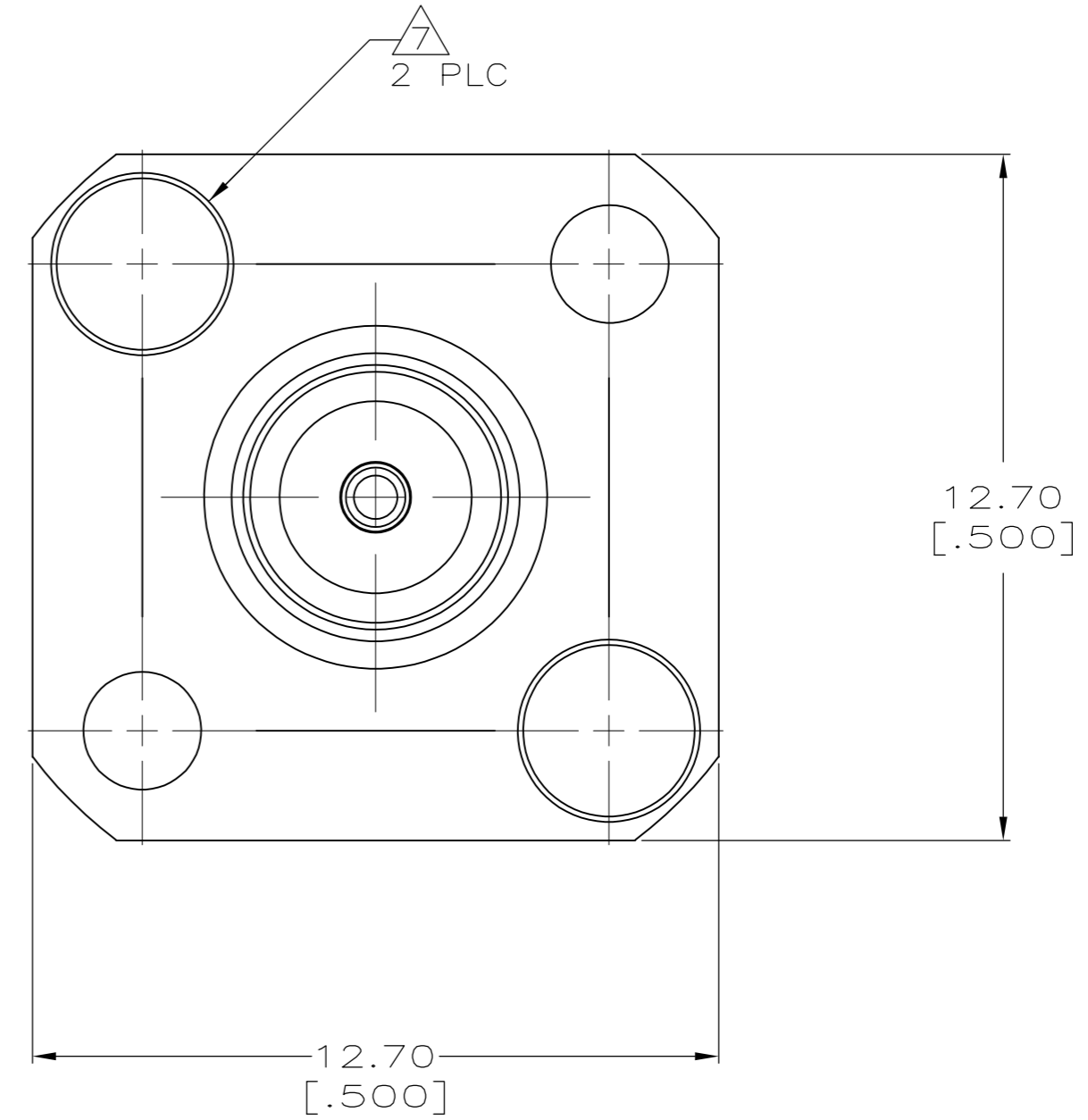
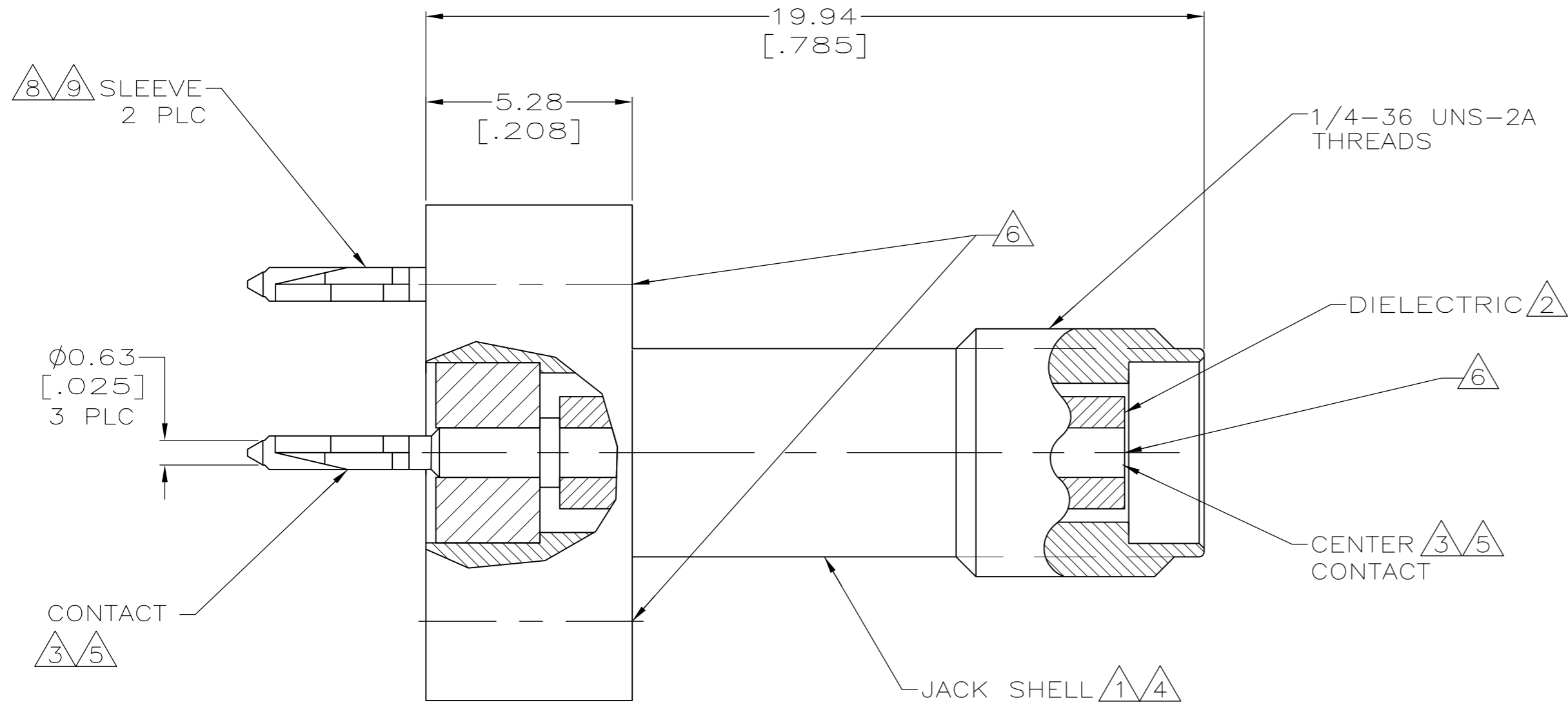


THIS DRAWING IS UNPUBLISHED. RELEASED FOR PUBLICATION  
 © COPYRIGHT - By - ALL RIGHTS RESERVED.

LOC	DIST	REVISIONS			
P	LTR	DESCRIPTION	DATE	DWN	APVD
AJ	16	A	ECR-12-005726	27MAR12	RK MY

- ① BRASS PER ASTM-B-16.
- ② PTFE PER ASTM-D-1710.
- ③ BERYLLIUM COPPER PER ASTM-B-196.
- ④ NICKEL PLATE PER QQ-N-290.
- ⑤ GOLD PLATE PER ASTM-B-488.
- ⑥ APPLY FORCE IN THESE AREAS TO ASSEMBLE CONNECTOR INTO PC BOARD.
- ⑦ 2-56 UNC-2B.
- ⑧ PHOS BRONZE PER ASTM-B-139.
- ⑨ TIN PLATE PER ASTM-B-545.



RECOMMENDED PCB CONFIGURATION

6274096-1  
 PART NUMBER

THIS DRAWING IS A CONTROLLED DOCUMENT.		DWN L VARELA - DOCK5 02FEB2005	<b>STE</b> TE Connectivity	
DIMENSIONS: mm [INCHES]		CHK J. HAVENER 02FEB2005		
TOLERANCES UNLESS OTHERWISE SPECIFIED:		APVD D. CAMELIO 02FEB2005	NAME JACK, ACTION PIN, PCB, SMA	
0 PLC ± -		PRODUCT SPEC -	SIZE A2	
1 PLC ± -		APPLICATION SPEC -	CAGE CODE 00779	
2 PLC ± 0.13 [.005]		WEIGHT -	DRAWING NO C=6274096	
3 PLC ± -		RESTRICTED TO -		
4 PLC ± -		SCALE 1:1		
ANGLES ± -		SHEET 1 OF 1		
MATERIAL ①②③		REV A		
FINISH ④⑤		CUSTOMER DRAWING		