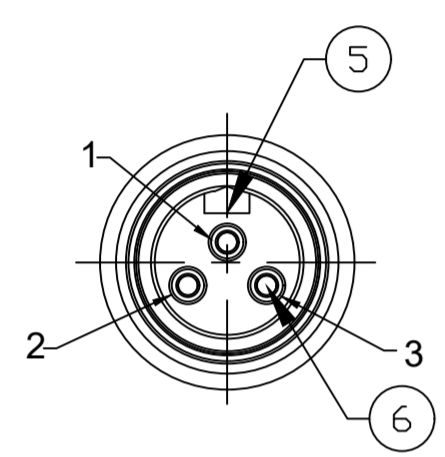


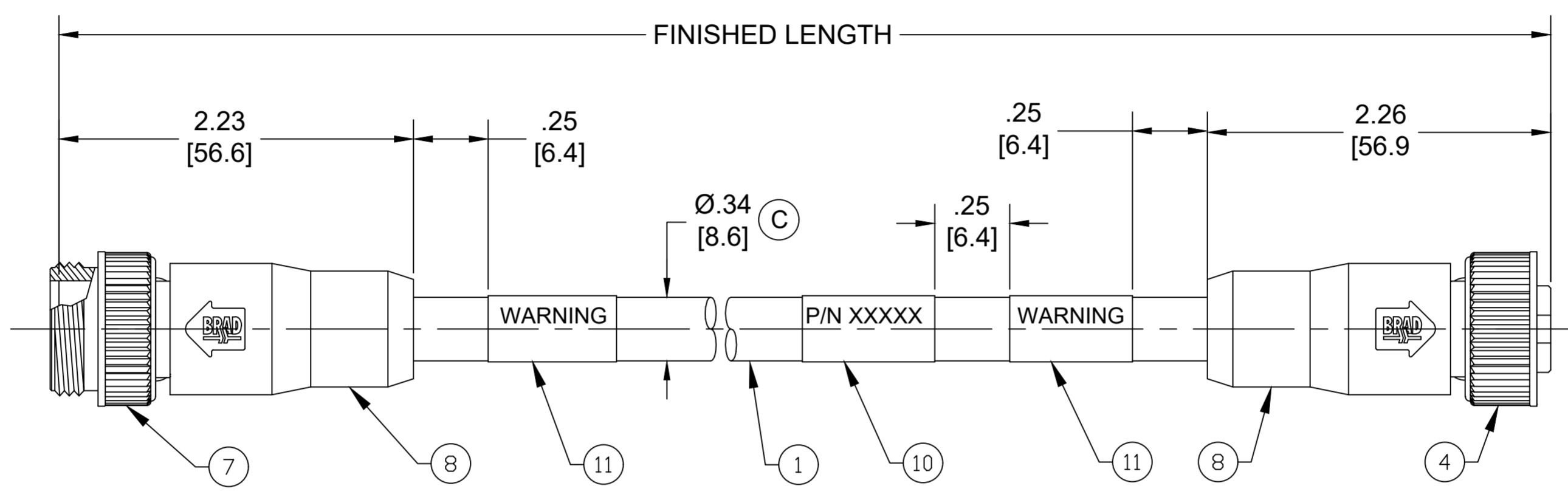
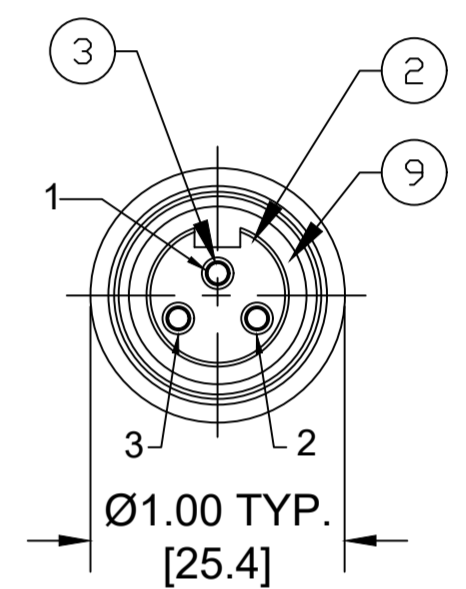
PART NO	ENGINEERING NO.	FINISHED LENGTH
1300621009	113030K20M020	2M [6 FT 7 IN]
1300621153	113030K20M900G	90M [295 FT 3 IN]
1300621122	113030K20T170E	170M [557 FT 9 IN]

CABLE LENGTH TOLERANCES	
<.3M [1FT]:	+19mm-0 [+.75in-0]
.3 - .9M [1 - 3FT]:	+44.5mm-0 [+1.75in-0]
.9 - 1.8M [3 - 6FT]:	+55.6mm-0 [+2.19in-0]
1.8 - 3.7M [6 - 12FT]:	+88.9mm-0 [+3.50in-0]
3.7 - 7.3M [12 - 24FT]:	+165.1mm-0 [+6.50in-0]
7.3-14.6M [24 - 48FT]:	+317.5mm-0 [+12.50in-0]
14.6 - 30.5M [48-100FT]:	+622.3mm-0 [+24.50in-0]
OVER 30M [100FT]	+2% OF FINISHED LENGTH

MALE - FACE VIEW



FEMALE - FACE VIEW



NOTES:

- 1. MATERIAL: AS NOTED
- 2. FINISH: AS NOTED
- 3. ELECTRICAL:
VOLTAGE: 500V PER IEC60664
600V PER UL2237
CURRENT: 15A
- 4. TEMP RATING: -20° TO +90°C
- 5. PROTECTION: IP67 (WHEN MATED)
- 6. COUPLING THREAD: 7/8"-16UN
- 7. UL LISTED FILE: E258922
- 8. ALL DIMENSIONS ARE FOR REFERENCE
UNLESS TOLERANCED OR NOTED OTHERWISE

PART NO. MATRIX
113030K20M020E

FINISHED LENGTH
M005= 0.5 METER
M010= 1 METER
M100= 10 METER
T100= 100 FEET
T150= 150 FEET

MOLD COLOR:
BLANK= GRAY (STD)
E= RED
G= BLACK

1	GRN/YEL	1
2	BLACK	2
3	WHITE	3

WIRING DIAGRAM

ITEM	COMPONENT	MATERIAL	FINISH
11	WARNING LABEL	VINYL	ORANGE/BLACK
10	WRAP LABEL	VINYL	BLACK/YELLOW
9	FRICTION RING	NYLON	NATURAL
8	OVERMOLD	TPE	SEE P/N MATRIX
7	MALE COUPLING NUT	ZINC ALLOY	BLACK E-COAT
6	CONTACT PIN	Cu ALLOY	GOLD PLATED
5	MALE INSERT	TPE	BLACK
4	FEMALE COUPLING NUT	ZINC ALLOY	BLACK E-COAT
3	CONTACT SOCKET	Cu ALLOY	GOLD PLATED
2	FEMALE INSERT	TPE	BLACK
1	CABLE 14AWG TC-ER	TPE JACKET	BLACK

FUNCTIONAL SYMBOLS $F_A=0$ $F_C=0$ $F_P=0$ DIVISIONAL SYMBOLS	THIS DRAWING CONTAINS INFORMATION THAT IS PROPRIETARY TO MOLEX ELECTRONIC TECHNOLOGIES, LLC AND SHOULD NOT BE USED WITHOUT WRITTEN PERMISSION	DIMENSION UNITS: INCH/MM SCALE: NTS		CURRENT REV DESC: ITEM 2, 5 & 8 WERE PVC. ADDED CABLE DIA. MODIFIED PART NUMBER CHART																				
	GENERAL TOLERANCES (UNLESS SPECIFIED)				EC NO: 663067																			
	<table border="1"> <thead> <tr> <th></th> <th>mm</th> <th>INCH</th> </tr> </thead> <tbody> <tr> <td>4 PLACES</td> <td>±----</td> <td>±----</td> </tr> <tr> <td>3 PLACES</td> <td>±----</td> <td>±----</td> </tr> <tr> <td>2 PLACES</td> <td>±----</td> <td>±----</td> </tr> <tr> <td>1 PLACE</td> <td>±----</td> <td>±----</td> </tr> <tr> <td>0 PLACES</td> <td>±----</td> <td>±----</td> </tr> </tbody> </table>					mm	INCH	4 PLACES	±----	±----	3 PLACES	±----	±----	2 PLACES	±----	±----	1 PLACE	±----	±----	0 PLACES	±----	±----	DRWN: ABENJAMINLW 2020/10/28 CHK'D: RSTONE 2021/05/06 APPR: BWOODMAN 2021/05/13	
		mm	INCH																					
4 PLACES	±----	±----																						
3 PLACES	±----	±----																						
2 PLACES	±----	±----																						
1 PLACE	±----	±----																						
0 PLACES	±----	±----																						
ANGULAR TOL ± ---- ° DRAFT WHERE APPLICABLE MUST REMAIN WITHIN DIMENSIONS				INITIAL REVISION: DRWN: GGUSTAFS 2014/07/09 APPR: BWOODMAN 2014/09/04																				
DOCUMENT NUMBER: SD-130062-021		DOC TYPE/DOC PART: PSD 001		REVISION: C																				
MATERIAL NUMBER: SEE CHART		CUSTOMER: GENERAL MARKET		SHEET NUMBER: 1 OF 1																				