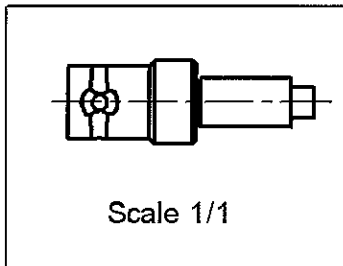
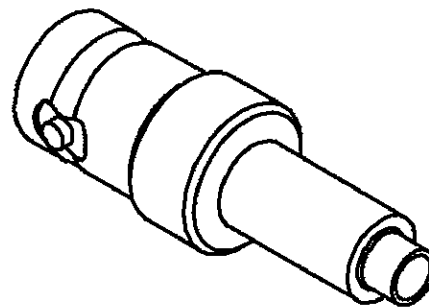
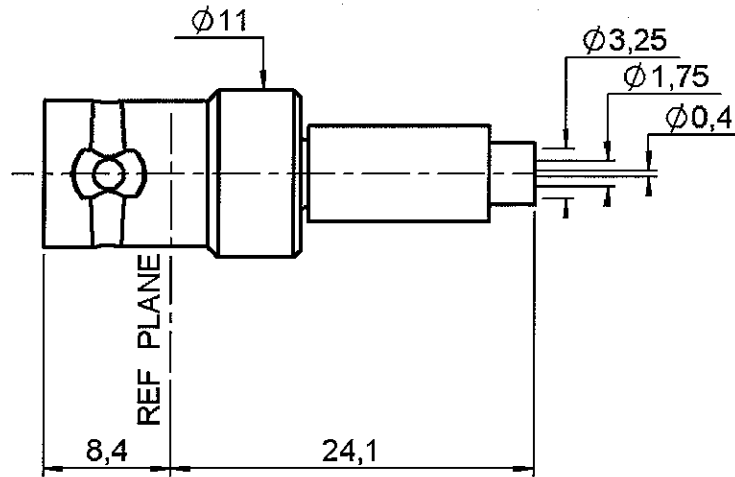


**STRAIGHT JACK CRIMP TYPE**

**R142.217.000**

**CABLE 2.6/75 S**

Series : BNC 75



All dimensions are in mm.



COMPONENTS	MATERIALS	PLATING (µm)
BODY	BRASS	NICKEL 2
CENTER CONTACT	BERYLLIUM COPPER	GOLD 0.5 OVER NICKEL 2
OUTER CONTACT	-	-
INSULATOR	PTFE	-
GASKET	-	-
OTHERS PARTS	BRASS	NICKEL 2
-	-	-
-	-	-

Issue : 0543 F

In the effort to improve our products, we reserve the right to make changes judged to be necessary.



**STRAIGHT JACK CRIMP TYPE**

**R142.217.000**

**CABLE 2.6/75 S**

Series : BNC 75

**PACKAGING**

Standard	Unit	Other
100	'W' option	Contact us

**SPECIFICATION**

**ELECTRICAL CHARACTERISTICS**

Impedance		75 Ω
Frequency		0-1.5 GHz
VSWR	1.30 +	0.000 x F(GHz) Maxi
Insertion loss		0.115 √F(GHz) dB Maxi
RF leakage	- (	57 - F(GHz) dB Maxi
Voltage rating		335 Veff Maxi
Dielectric withstanding voltage		1000 Veff mini
Insulation resistance		5000 MΩ mini

**CABLE ASSEMBLY**

Stripping	a	b	c	d	e	f
mm	4.00	10.0	18.5	14.5	0.00	0.00

Assembly instruction : **Crimp 03**

Recommended cable(s)

RG 179

RG 187

Characteristics indicated on this data sheet are those that can be achieved with the highest performance cable. Intrinsic limitations of the cable may diminish the performance of the assembly

Cable retention

- pull off **40 N mini**
- torque **NA N.cm**

**MECHANICAL CHARACTERISTICS**

Center contact retention		
Axial force – Mating end		27 N mini
Axial force – Opposite end		27 N mini
Torque		NA N.cm mini

**TOOLING**

Part Number	Description	Hexagon
R282.223.000	CRIMPING TOOL	1.73 - 5.41
R282.235.011	CRIMPING DIES	1.73 - 5.41
R282.293.000	CRIMPING TOOL	-

Recommended torque		
Mating		NA N.cm
Panel nut		NA N.cm
Clamp nut		NA N.cm
A/F clamp nut		0.000 mm

**OTHER CHARACTERISTICS**

Mating life		500 Cycles mini
Weight		0.000 g

**ENVIRONMENTAL**

Operating temperature		-65/+165 °C
Hermetic seal		NA Atm.cm3/s
Panel leakage		NA

Issue : 0543 F

In the effort to improve our products, we reserve the right to make changes judged to be necessary.



**RADIALL**®