

User's Manual



■ Features

- Dimming and switching LED driver and conventional electronic ballast
- LED indicator for each channel
- Linear or logarithmic dimming curve programmable via ETS software
- Manual control via Push button on panel
- Programmable various time and scene function
- 3 years warranty

■ Applications

- Building Automation
- Lighting switch / dimming control

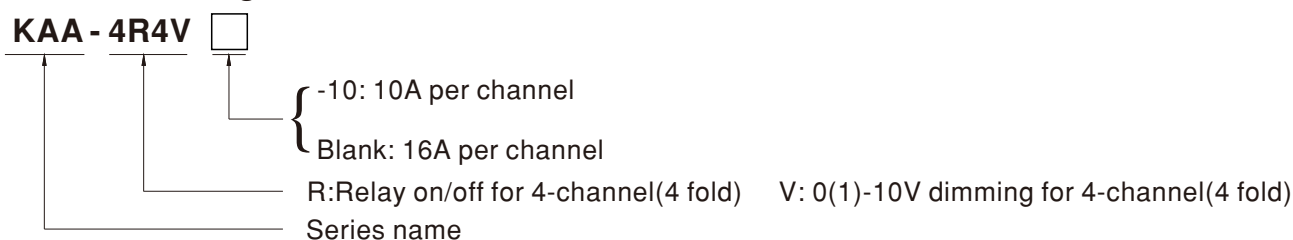
■ GTIN CODE

MW Search: <https://www.meanwell.com/serviceGTIN.aspx>

■ Description

The KAA-4R4V dimming actuator is a 4 channels device with high quality independent latching relay to turn on or off ,which is suitable for MEANWELL all kinds of LED drivers. The product specification indicate the maximum number of recommended LED drivers per channel which is easy for building planning. Based on the KNX architecture, KNX system engineers can easily program through the ETS system as needed during planning or use, or manually through the physical buttons on the panel. KAA-4R4V is independently configured with a green LED on each channels to indicate the status of the switch. The compact design with 4 units(72mm) wide modular makes it suitable for installation in the distribution board on 35mm mounting rails in the EIB/KNX application. In addition to the basic switch function, a DC 0(1)-10V signal to perform the dimming on the connected driver at each channel. The dimming curve can be adjusted to linear or logarithmic mode, so that the end user has excellent dimming experience. It can also be used with motion sensors in the buildings to save energy. The dimmer are powered via the EIB/KNX and do not require any additional power supply. As result, KAA-4R4V is featuring both reliability and multi functionality to meet various needs in a modern building.

■ Model Encoding

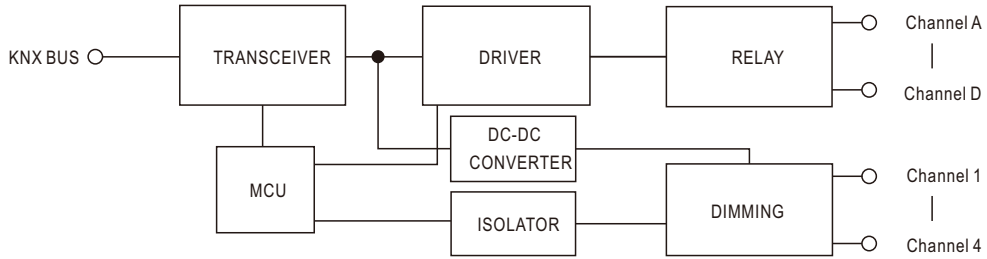


Type	Function	Note
-10	4 channel actuator, 10A per channel	In stock
Blank	4 channel actuator, 16A per channel	by request

SPECIFICATION

MODEL		KAA-4R4V-10		
SUPPLY	KNX BUS VOLTAGE	21~31V		
	CURRENT CONSUMPTION	<11mA		
	POWER CONSUMPTION	<250mW		
OUTPUT CONTROL	VOLTAGE RANGE	0-10V		
	NO. OF CONTROL OUTPUT	4		
	TYPE OF CONTROL	passive		
	MAX. CURRENT PER OUTPUT	50mA		
	MAX. CABLE LENGTH AT FULL LOAD	100m with cable cross-section 1.5mm ²		
OUTPUT RELAY OUTPUT SWITCHING RATINGS	Nr. OF RELAY	4		
	INDEPENDENT & POTENTIAL-FREE PER RELAY	Yes		
	CURRENT	OHMIC LOAD	10A	
		CAPACITIVE LOAD	220 μ F(See Note.2)	
	MAX. INRUSH CURRENT	400A(max. 200 μ s),80A(max. 20ms)		
	BS EN/EN60947-4-1 AC1(COS θ =0.8)	10A		
	BS EN/EN60947-4-1 AC5a(COS θ =0.45)	8A		
	BS EN/EN60947-4-1 AC5b	10A		
MAX. TOTAL CURRENT OF THE ACTUATOR	40A			
OUTPUT SERVICE LIFE	MECHANICAL SERVICE LIFE	>10 ⁶		
	ELECTRICAL ENDURANCE BS EN/EN60669-1 19.1	4*10 ⁴ (See Note.2)		
	BS EN/EN60669-1 19.2 , FLOURSCENT LAMP(AX)	10 ⁴ (See Note.2)		
OPERATING & DISPLAY	PROGRAMMING BUTTON/LED	For set the individual address		
	MANUAL BUTTON/LED	For manually control the relay and dimming		
ENVIRONMENT	WORKING TEMP.	-30 ~ +45°C(3K5)		
	STORAGE TEMP.	-35 ~ +70°C		
	WORKING HUMIDITY	10 ~ 95% RH non-condensing		
	PROTECTION CLASS	II , According to BS EN/EN61140		
	OVER VOLTAGE CATEGORY	III ,According to BS EN/EN60664-1		
	POLLUTION DEGREE	2, According to BS EN/EN60664-1		
	DEGREE OF PROTECTION	IP20,According to BS EN/EN60529		
SAFETY & EMC	SAFETY STANDARDS	BS EN/EN50491-3, BS EN/EN60669-1, BS EN/EN60669-2-1, BS EN/EN60669-2-5(See Note.2), EAC TP TC 004 approved		
	EMC EMISSION	Compliance to BS EN/EN50491-5-1,-2,-3, BS EN/EN50090-2-2, BS EN/EN60669-2-1, BS EN/EN60669-2-5, BS EN/EN63044-5-1,-2,-3(See Note.2), EAC TP TC 020		
	EMC IMMUNITY	Compliance to BS EN/EN50491-5-1,-2,-3, BS EN/EN50090-2-2, BS EN/EN60669-2-1, BS EN/EN60669-2-5, BS EN/EN63044-5-1,-2,-3(See Note.2), EAC TP TC 020		
CONNECTIONS	SCREW TERMINAL	0.5 – 4.0mm ² solid core 0,5 - 2,5mm ² finely stranded		
	KNX BUS CONNECTION TERMINAL	0.8mm φ , solid core		
OTHERS	MTBF	696.9K hrs min. Telcordia SR-332 (Bellcore) ; 334.1K hrs min. MIL-HDBK-217F (25°C)		
	DIMENSION	72*90*57mm (W*H*D)		
	MOUNTING WIDTH IN UNITS	4		
	DIN RAIL MOUNTING	35mm mounting rail according to DIN BS EN/EN60715		
	PACKING	0.247Kg ; 48pcs/12.53Kg/1.02CUFT		
NOTE	1. All parameters NOT specially mentioned are measured at 230VAC input, rated load and 25°C of ambient temperature. 2. Notified Body test report is provided. ※ Product Liability Disclaimer : For detailed information, please refer to https://www.meanwell.com/serviceDisclaimer.aspx			

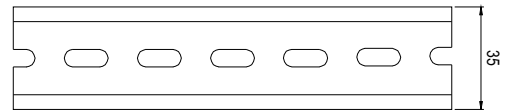
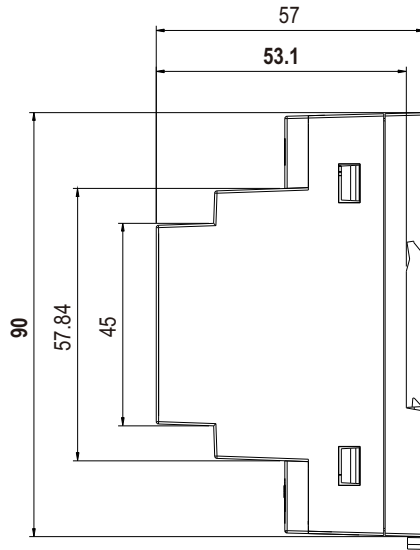
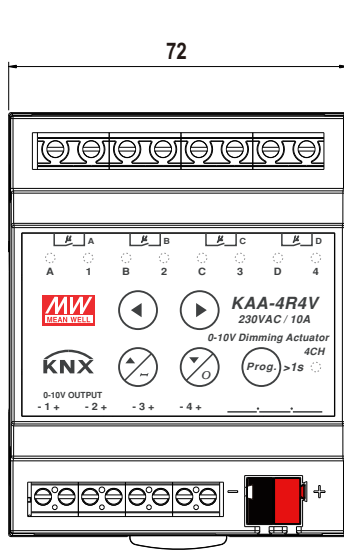
■ Block Diagram



■ Mechanical Specification

Case No. KAA

Unit:mm



ADMISSIBLE DIN-RAIL: TS35/7.5 OR TS35/15

■ **Max. output load per channel**

Maximum load	KAA-4R4V-10
Resistive load	2300 W
LED driver	refer to table below
Incandescent lamps	2300 W
Halogen lamps 230V	2300 W
Halogen lamps, electronic transformer	1300 W
Fluorescent lamps, not compensated	2000W
Fluorescent lamps, parallel comp.	1200W
Max. number of electronic transformers	15

■ **Nr. of driver per control output channel**

The maximum number of driver is 500 pcs per channel in case current from each driver is sourcing 0.1mA.
The actual number of driver is subject to applications. i.e. total cable length in system.

■ **Nr. of driver per relay channel**

The maximum number of the LED PSUs that can be connected to each relay channel at 230V is shown as below	
Suggested model	KAA-4R4V-10
APC-8	22
APC-12	11
APC-16	18
APC-25	11
APC-35	11
APC-8E	22
APC-12E	18
APC-16E	15
APV-8	22
APV-12	11
APV-16	18
APV-25	11
APV-35	11
APV-8E	22
APV-12E	18
APV-16E	15
LCM-25	25
LCM-40	25
LCM-60	25
LCM-25DA	25
LCM-40DA	25
LCM-60DA	25
LPC-20	11
LPC-35	9
LPC-60	8

The maximum number of the LED PSUs that can be connected to each relay channel at 230V is shown as below	
Suggested model	KAA-4R4V-10
LPC-100	7
LPC-150	5
LPF-16	18
LPF-25	16
LPF-40	16
LPF-60	9
LPF-90	7
LPF-16D	18
LPF-25D	16
LPF-40D	16
LPF-60D	9
LPF-90D	7
LPH-18	16
LPHC-18	16
LPV-20	11
LPV-35	9
LPV-60	8
LPV-100	7
LPV-150	8
NPF-40	10
NPF-60	10
NPF-90	8
NPF-120	8
NPF-40D	10
NPF-60D	10
NPF-90D	8
NPF-120D	8
PCD-16B	80
PCD-25B	53
PCD-40B	45
PCD-60B	26
PLC-30	23
PLC-45	23
PLC-60	23
PLC-100	13
PLD-16B	40
PLD-25	32
PLD-40B	32
PLD-60B	32
PLM-12	53
PLM-25	53
PLM-40	53

The maximum number of the LED PSUs that can be connected to each relay channel at 230V is shown as below	
Suggested model	KAA-4R4V-10
PLN-20	23
PLN-30	23
PLN-45	23
PLN-60	23
PLN-100	13
PLP-30	32
PLP-45	27
PLP-60	23
PWM-40	10
PWM-60	10
PWM-90	8
PWM-120	8
HLN-40H	10
HLN-60H	9
HLN-80H	7
HLP-40H	7
HLP-60H	9
HLP-80H	7
CEN-60	22
CEN-75	22
CEN-100	22
CLG-60	23
CLG-100	13
CLG-150	8
ELG-75	10
ELG-100	8
ELG-150	8
ELG-75-C	10
ELG-100-C	13
ELG-150-C	8
HBG-100	8
HBG-160	8
HBG-240	7
HBG-60	18
HLG-40H	16
HLG-60H	9
HLG-80H	7
HLG-100H	8
HLG-120H	8
HLG-150H	8
HLG-185H	8
HLG-240H	5

The maximum number of the LED PSUs that can be connected to each relay channel at 230V is shown as below	
Suggested model	KAA-4R4V-10
HLG-320H	6
HLG-600H	3
HLG-60H-C	8
HLG-80H-C	8
HLG-120H-C	10
HLG-185H-C	9
HLG-240H-C	7
HLG-320H-C	6
HSG-70	9
HVG-65	20
HVG-100	8
HVG-150	8
HVG-240	5
HVG-320	4
HVGC-65	20
HVGC-100	8
HVGC-150	8
HVGC-240	5
HVGC-320	4

■ Communication Object Table

Num	Name	Object function	Length	DPT	Priority	Flag
1	Central Function	Manual control	1bit	Enable	Low	CW
2	Central Function	Switch On/Off	1bit	Switch	Low	CW
3	Central Function	Dim absolutely	1byte	Percentage	Low	CW
4	Central Function	Operation	1bit	State	Low	CRT
5	Channel 1	Switch On/Off	1bit	Switch	Low	CW
6	Channel 1	Switch State	1bit	State	Low	CRT
7	Channel A	Additional Switch On/Off	1bit	Switch	Low	CW
8	Channel A	Additional Switch state	1bit	State	Low	CRT
9	Channel 1	Dim relatively	4bit	Dimming control	Low	CW
10	Channel 1	Dim absolutely	1byte	Percentage	Low	CW
11	Channel 1	State Dimming Value	1byte	Percentage	Low	CRT
12	Channel 1	Scene	1byte	scene number	Low	CW
			1byte	scene control	Low	CW
13	Channel 1	Automatic 1	1bit	Switch	Low	CW
14	Channel 1	Automatic 2	1bit	Switch	Low	CW
15	Channel 1	Automatic 3	1bit	Switch	Low	CW
16	Channel 1	Automatic 4	1bit	Switch	Low	CW
17	Channel 1	Block I	1bit	Enable	Low	CW
18	Channel 1	Block II	1bit	Enable	Low	CW
19	Channel 1	Staircase light	1bit	Switch	Low	CW
20	Channel 1	Staircase light with time	2byte	time(0-65535)s	Low	CW
21	Channel 1	Prewarning	1bit	Alarm	Low	CRT
22	Channel 1	Permanent ON	1bit	Switch	Low	CW
23	Channel 2					
					
41	Channel 3					
					
59	Channel 4					
					

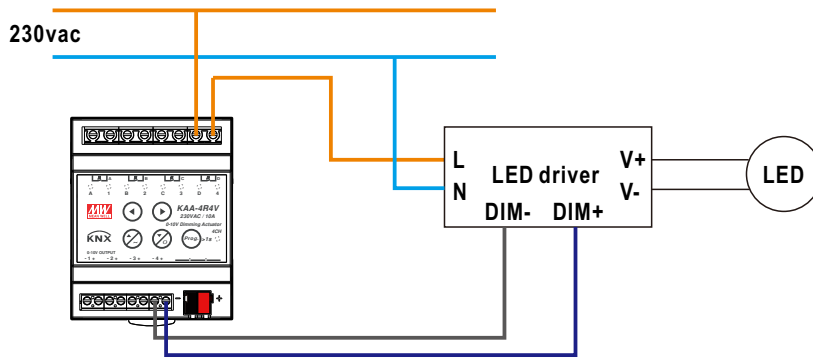
The priority of the particular communication objects as well as the flags can be adjusted. The flag control the function of the objects in the programming where C stands for communication, R for Read, W for write, T for transmit and U for update.

■ Configuration and Commissioning

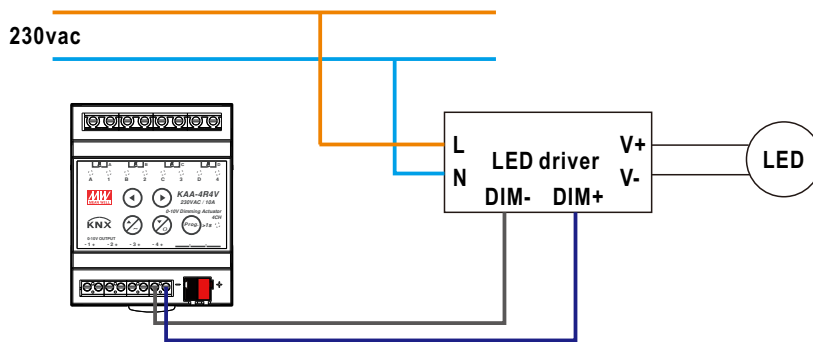
The application program(database) can be downloaded via Online Catalogs from ETS or via <http://www.meanwell.com/productCatalog.aspx>

Typical application

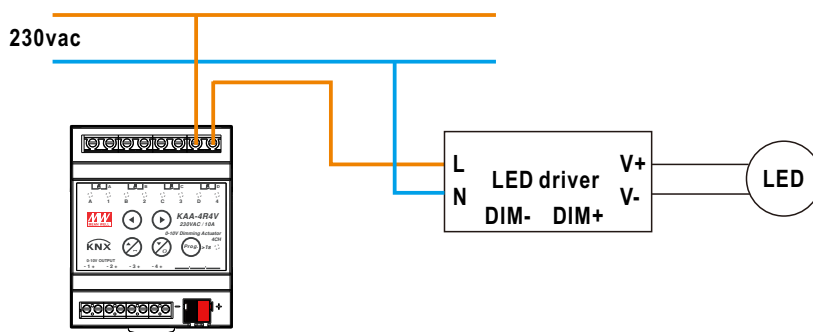
Application 1: Work with DC 1-10V LED driver



Application 2: Work with DC 0-10V LED driver



Application 3: Work with non-dimmable driver



Recommended Screwdriver, Wire and Torque Setting

1. Screwdriver (Width*Thick): Slotted screwdriver 2.5*0.4~3.5*0.6
2. Wire: 0.5~4.0mm² solid core or 0.5~2.5mm² finely stranded
3. Torque: 0.8Nm

Installation Manual

Please refer to : <http://www.meanwell.com/manual.html>