

PZ Series

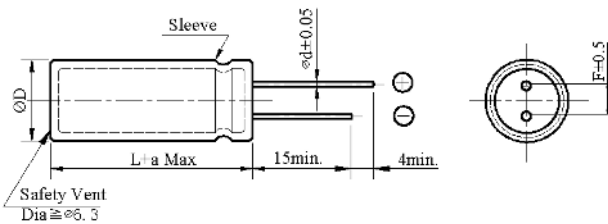
- Rated voltage range: 200 to 450Vdc, Capacitance: 18 to 270 μ F
- Load life 2,000 hours at 105 $^{\circ}$ C
- Ideal for low profile power supply applications



SPECIFICATIONS

Item	Performance Characteristics				
Category Temperature Range	-40 ~ +105 $^{\circ}$ C		-25 ~ +105 $^{\circ}$ C		
Working Voltage Range	200 ~ 400Vdc		420 ~ 450Vdc		
Capacitance Range	27 ~ 270 μ F		18 ~ 100 μ F		
Capacitance Tolerance	\pm 20% (at 25 $^{\circ}$ C and 120Hz)				
Dissipation Factor (tan δ) (at 25 $^{\circ}$ C, 120Hz)	Rated Voltage (V)	200	400	420	450
	tan δ (Max)	0.12	0.15	0.20	0.20
Leakage Current	$I=0.03CV + 10\mu A$ I : Leakage current (μA) C : Rated capacitance (μF) V : Rated voltage (V) Impress the rated voltage for 2 minutes				
Low Temperature Characteristics Impedance Ratio(MAX)	Rated voltage (V)	200	400	420 ~ 450	
	Z(-40 $^{\circ}$ C)/Z(+20 $^{\circ}$ C)	6	6	—	
	Z(-25 $^{\circ}$ C)/Z(+20 $^{\circ}$ C)	3	5	6	
Endurance	The following specifications shall be satisfied when the capacitors are restored to 25 $^{\circ}$ C after subjected to DC voltage with the rated ripple current is applied for 2,000 hours at 105 $^{\circ}$ C.				
	Capacitance change	$\cong \pm$ 20% of the initial value			
	Dissipation factor(tan δ)	\cong 200% of the specified value			
	Leakage current	\cong specified value			
Shelf Life	The following requirements shall be satisfied when the capacitor are restored to 25 $^{\circ}$ C after the rated voltage applied for 1,000 hours at 105 $^{\circ}$ C without voltage applied.				
	Capacitance change	$\cong \pm$ 20% of the initial value			
	Dissipation factor(tan δ)	\cong 200% of the specified value			
	Leakage current	\cong 200% of the specified value			
Others	Conforms to JIS-C-5101-4 (1998), characteristic W				

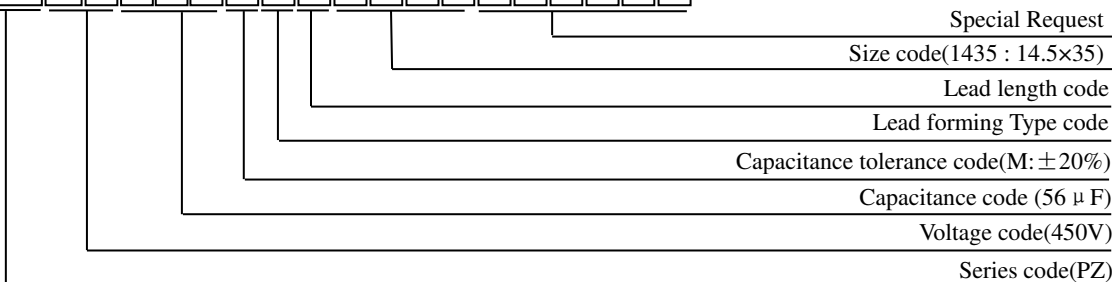
DIMENSIONS (mm)



Φ D	10	12.5	14.5
Φ D	Φ D + 0.5 Max		
Φ d	0.6	0.6	0.8
F	5.0	5.0	7.5
a	L+ 1.5 Max	\leq 35 L+1.5Max \geq 40 L+2.0 Max	L+ 2.0 Max

PART NUMBER SYSTEM(Example : 450V 56 μ F)

P Z 2 W 5 6 0 M N N 1 4 3 5



Aluminum Electrolytic Capacitor

Customer	Digi-Key	SERIES	PZ	NO.:	PUBLISH DATE	2022-03-25
-----------------	-----------------	---------------	-----------	-------------	---------------------	-------------------

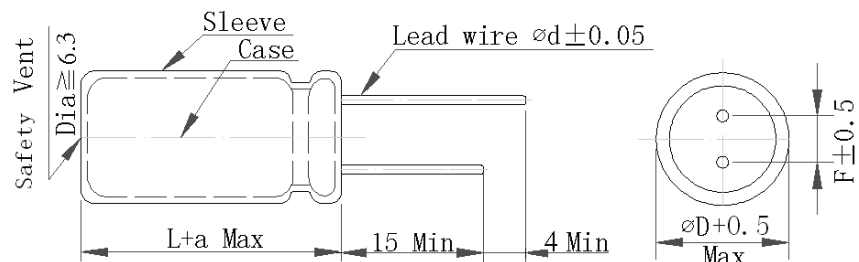


FIG-1

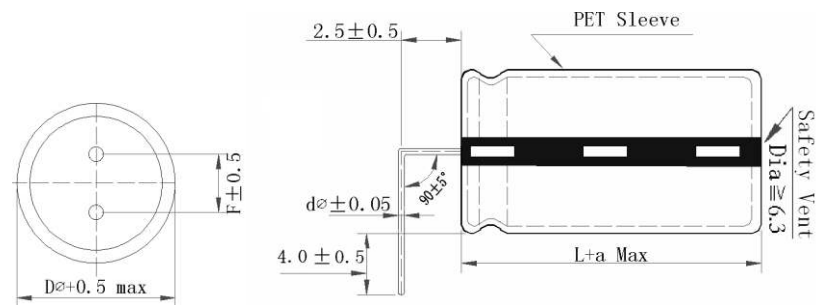


FIG-2

No.	CHINSAN Part No.	Customer Part No.	Capacitance (uF)	Tolerance On rated Capacitance (%)	Working Voltage (Vdc)	Surge Voltage (Vdc)	Category Temp Range (°C)	Tanδ @ 25°C (120Hz) (Max)	Leakage Current (uA) (2 min.)	Rated Ripple Current (mA rms) @ 105°C 120Hz	Rated Ripple Current (mA rms) @ 105°C 100kHz	ESR @ 25°C (mΩ max/ 120Hz)	Impedance @ 20°C (mΩ max/ 100kHz)	Endurance @ 105°C (Hours)	Dimensions (mm)					Appearance Drawing No
															D Φ	L	a	d	F	
1	PZ2W470MSD1052R	/	47 μF	±20%	450 V	/	-25~+105	/	/	400	/	5000	3000	2000	10	52	/	/	5	FIG-2
2	PZ2G270MSD1040R	/	27 μF	±20%	400 V	/	-40~+105	/	/	350	/	/	/	2000	10	40	/	/	5	FIG-2
3	PZ2W330MNN1230	/	33 μF	±20%	450 V	/	-25~+105	/	/	300	/	/	/	2000	12.5	30	/	/	5	FIG-1
4	PZ2W470MNN1240	/	47 μF	±20%	450 V	/	-25~+105	/	/	350	/	/	/	2000	12.5	40	/	/	5	FIG-1
5	PZ2W680MNN1250	/	68 μF	±20%	450 V	/	-25~+105	/	/	400	/	/	/	2000	12.5	50	/	/	5	FIG-1
6	PZ2W820MNN1245A4	/	82 μF	±20%	450 V	/	-25~+105	/	/	900	/	/	1100	2000	12.5	45	/	/	5	FIG-1
7	PZ2W390MNN1038	/	39 μF	±20%	450 V	/	-25~+105	/	/	300	/	/	/	2000	10	38	/	/	5	FIG-1

※Test leakage current before testing dissipation factor and capacitance during the electric characteristic test.

REMARKS:	APPROVED BY	CHECKED BY	PREPARED BY
Sleeve Color: Black.	张洪斌	曾爱娥	梁慧妍