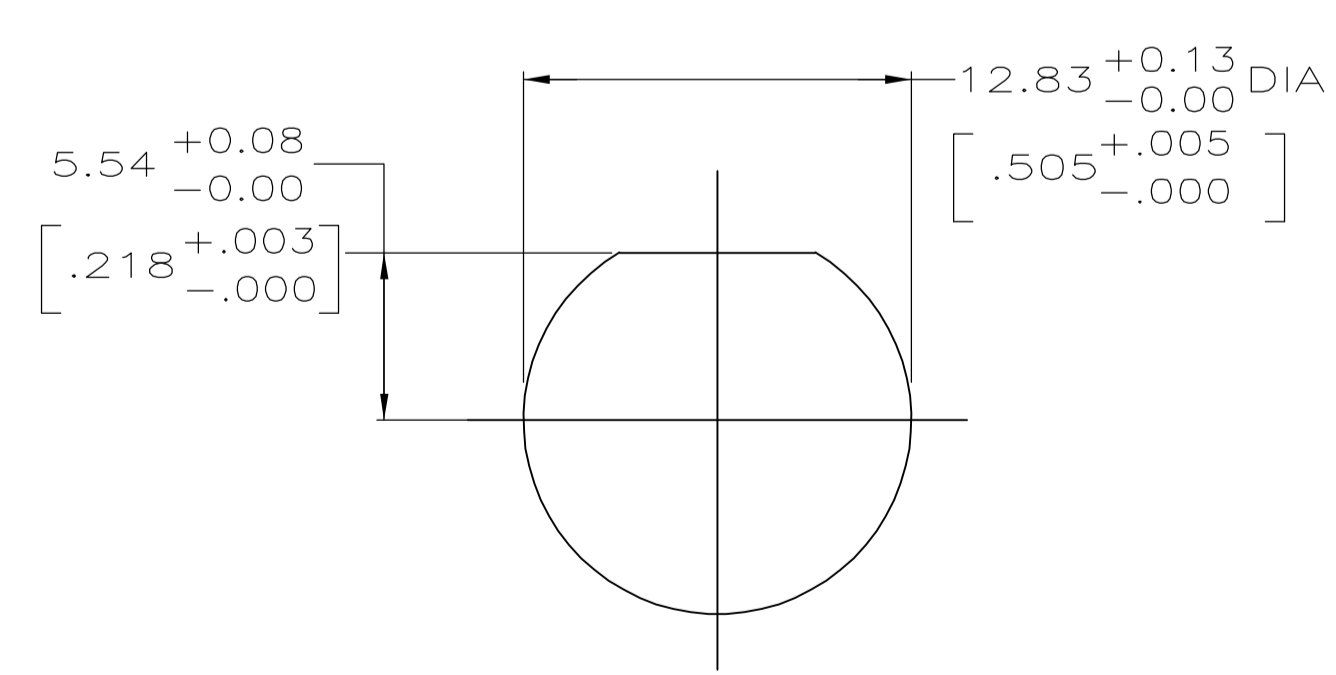
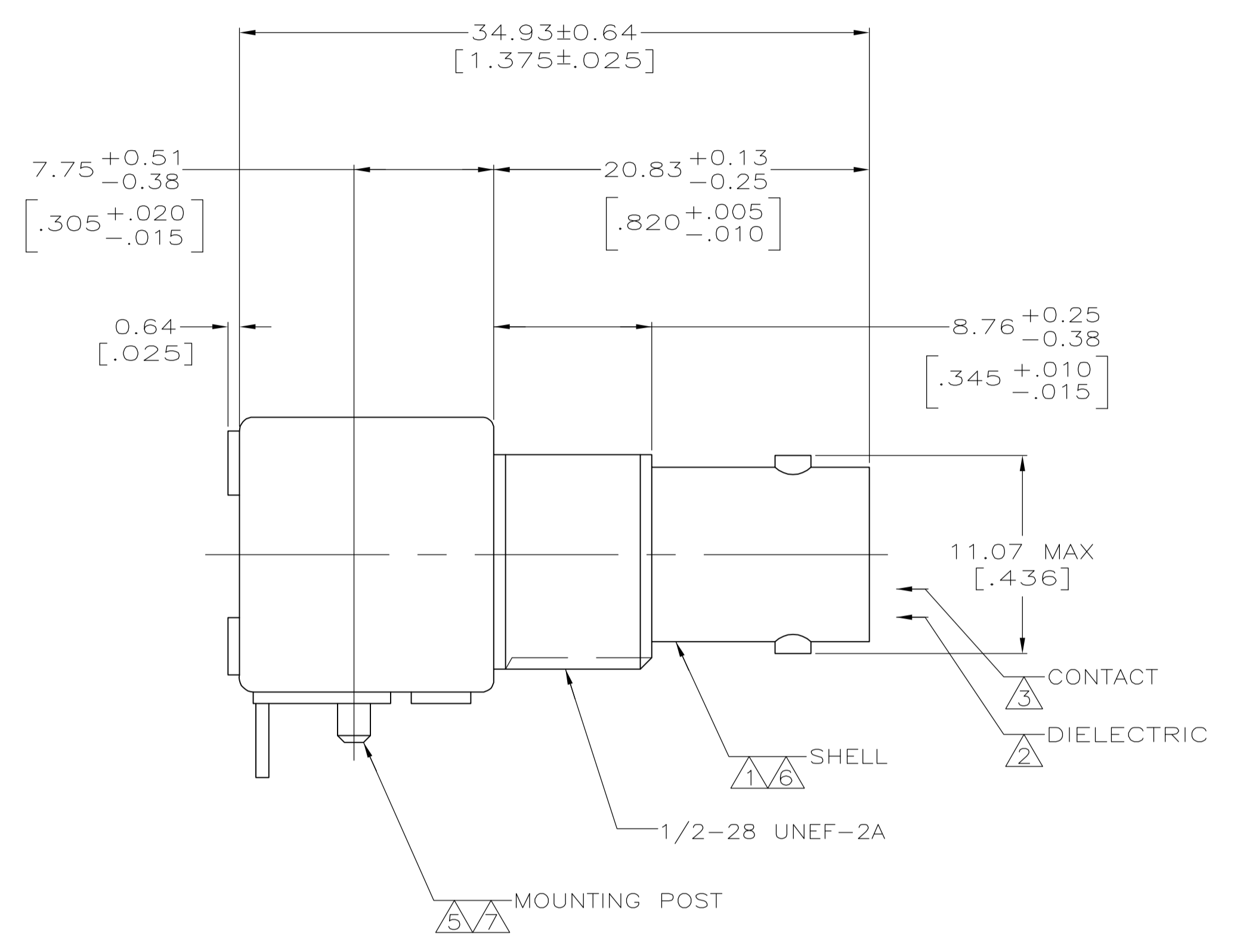
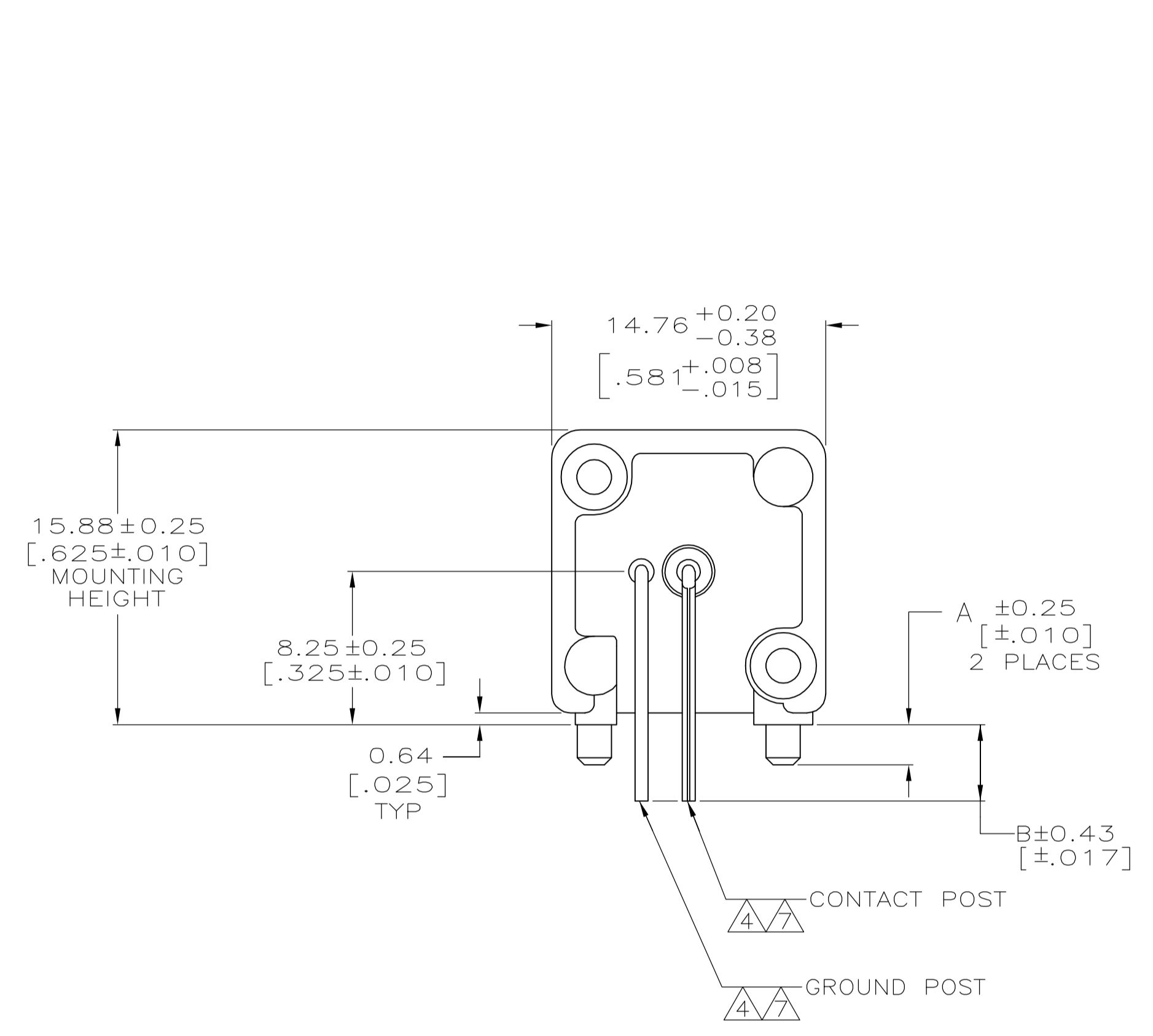
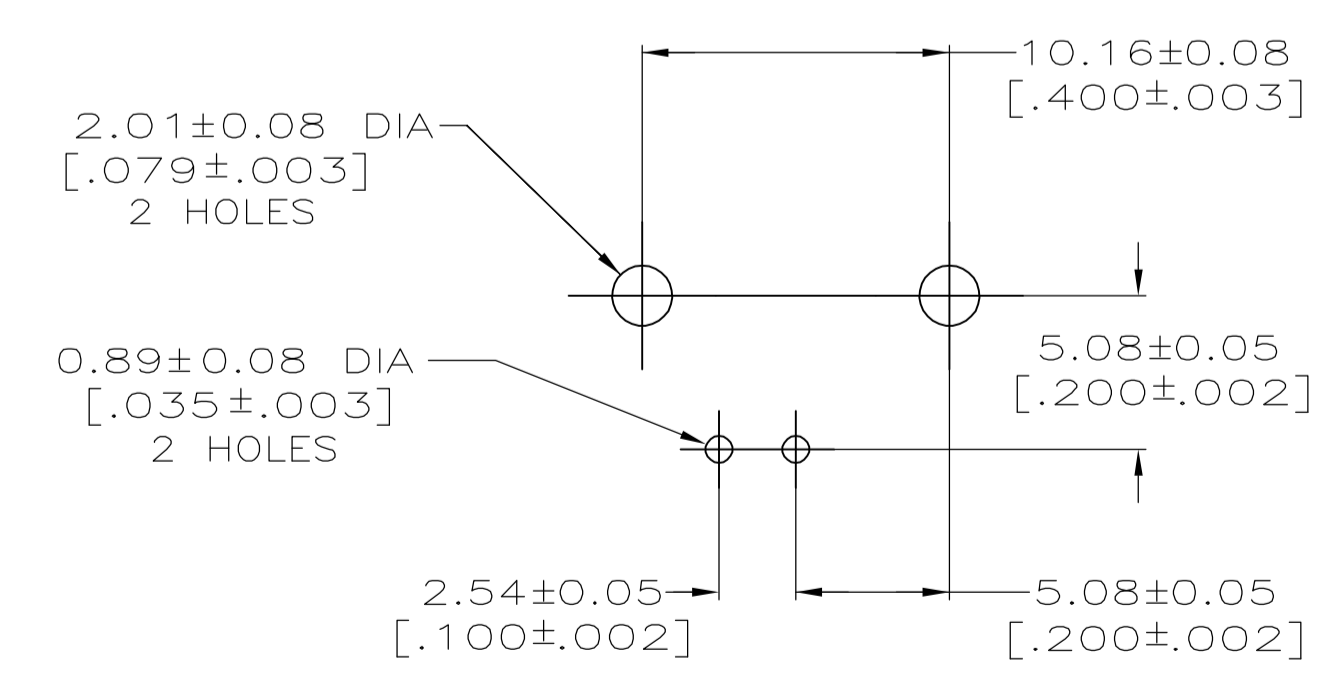


- 1 ZINC PER QQ-Z-363.
 - 2 POLYMETHYLPENTENE, GENERAL PURPOSE.
 - 3 BERYLLIUM COPPER PER QQ-C-530.
 - 4 BRASS PER ASTM-B-453.
 - 5 BRASS PER ASTM-B-16.
 - 6 NICKEL PLATE PER QQ-N-290, 3.81 μm [.000150] MINIMUM THICK.
 - 7 TIN PLATE PER ASTM-B-545, 3.81 μm [.000150] MINIMUM THICK.
 - 8 GOLD PLATE PER MIL-G-45204, 0.76 μm [.000030] MINIMUM THICK.
 - 9 SILVER PLATE PER QQ-S-365, 2.54 μm [.000100] MINIMUM THICK.
 - 10 GOLD PLATE PER MIL-G-45204, 1.27 μm [.000050] MINIMUM THICK.
11. SEE INSTRUCTION SHEET 2769.



RECOMMENDED PANEL CUTOUT



PCB CONFIGURATION

OBSOLETE	4.11	[.162]	2.16	[.085]		222092-5
OBSOLETE	2.92	[.115]	2.16	[.085]		222092-4
	4.11	[.162]	3.48	[.137]		222092-3
OBSOLETE	4.11	[.162]	2.16	[.085]		222092-2
	4.11	[.162]	2.16	[.085]		222092-1

B		A		CONTACT FINISH	PART NUMBER
THIS DRAWING IS A CONTROLLED DOCUMENT.					
DIMENSIONS: INCHES		TOLERANCES UNLESS OTHERWISE SPECIFIED:		DIN J. LIPPERT 3-4-92 GIK A. GABANY 3-13-92 APVO A. GABANY 3-13-92 PRODUCT SPEC APPLICATION SPEC WEIGHT CUSTOMER DRAWING	
0 PLC ± - 1 PLC ± - 2 PLC ± 0.20 [.008] 3 PLC ± - 4 PLC ± - ANGLES ± -		SEE NOTES 6-10		Tyco Electronics Corporation Harrisburg, PA 17105-3608 NAME: JACK, RIGHT ANGLE, PCB 75 OHM, SERIES BNC SIZE: A1 CAGE CODE: 00779 DRAWING NO: 222092 SCALE: 1:1 SHEET: 1 OF 1 REV: K	