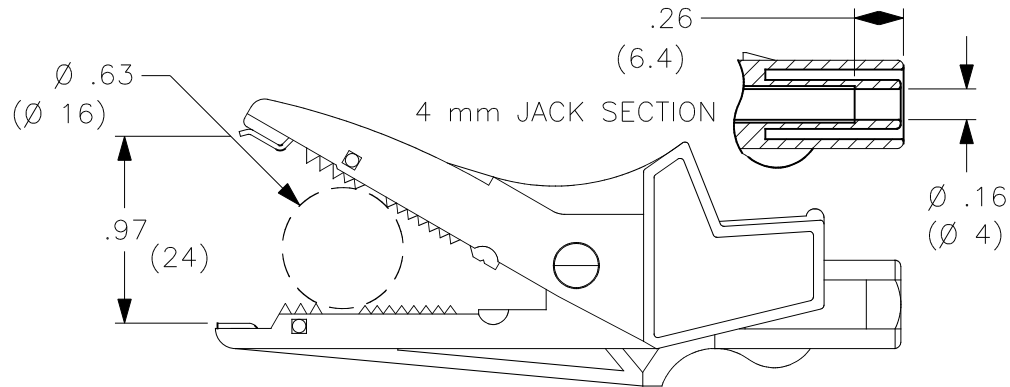
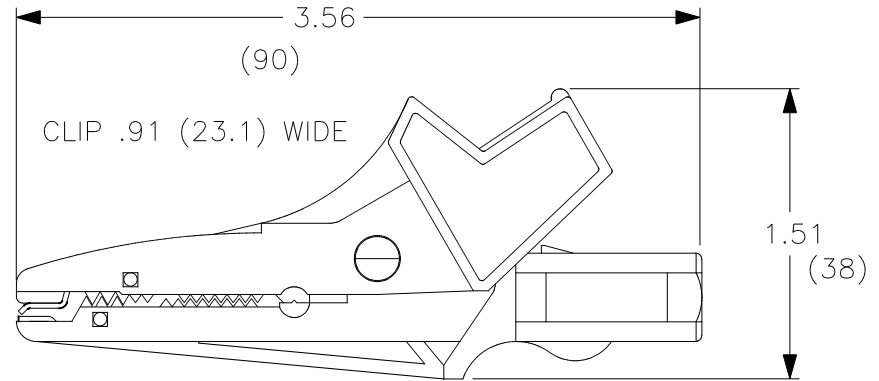


THIS IS ISSUED IN STRICT CONFIDENCE THAT IT IS NOT USED AS A BASIS FOR MANUFACTURE OR SALE AND THAT IT IS NOT COPIED, REPRINTED OR DISCLOSED TO A THIRD PARTY EITHER WHOLLY OR IN PART WITHOUT THE PRIOR WRITTEN CONSENT OF CAL TEST ELECTRONICS, INC.

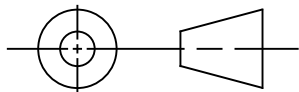
- PAIR OF LARGE INSULATED ALLIGATOR CLIP w/4 mm SAFETY BANANA JACK, BLACK AND RED.
- SPECIFICATIONS:
INSULATOR: POLYAMIDE (NYLON)
CONTACT: BRASS, NICKEL PLATED
- RATING:
VOLTAGE: 1000 V CATIII/600 V CATIV (IEC61010-031)
CURRENT: 20 A MAX.
TEMPERATURE: -20° C TO +80° C.

| REVISIONS | | | |
|-----------|------------------|---------|----------|
| REV. | DESCRIPTIONS | DATE | APPROVED |
| - | CLASS A RELEASED | 1/12/02 | |
| A | ADDED CAGE CODE | 6/18/02 | |



PART NUMBER
CT2490A

THIRD ANGLE PROJECTION



UNLESS OTHERWISE SPECIFIED
DIMENSIONS ARE IN INCHES
TOLERANCES ARE:
FRACTIONS DECIMALS
± 1/32 .XX ± .02
.XXX ± .005
DO NOT SCALE DRAWING

CONTRACT NO.

APPROVALS

DATE

DRAWN WDH

1/12/02

CHECKED

ENGR.

DESIGN ACTIVITY

Cal Test Electronics

22820 Savi Ranch Parkway
Yorba Linda, CA 92887-4610

TITLE

**LARGE INSULATED ALLIGATOR CLIP, PAIR
(BLACK & RED)**

SIZE
A

CAGE CODE
43F45

DWG. NO.

P2490A0

REV.
A

SCALE 1:1

SHEET 1 OF 1

NEXT ASSY

USED ON

APPLICATION

MATERIAL

FINISH