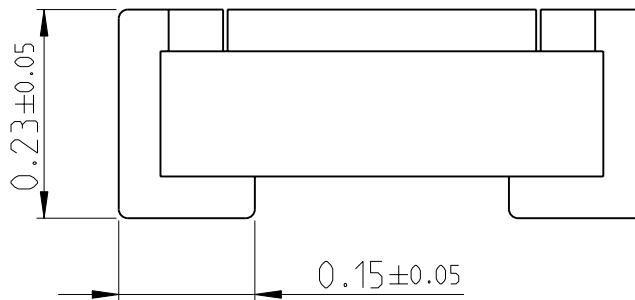
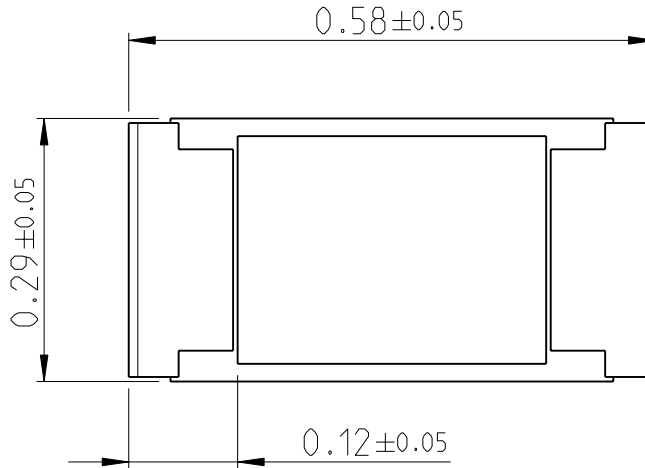
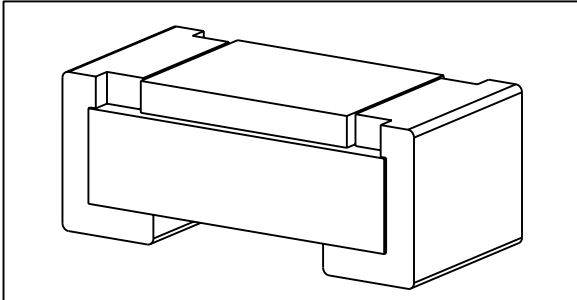


LOC	DIST	REVISIONS				
P	LTR	DESCRIPTION	DATE	DWN	APVD	
-	-	BA	NEW DRAWING	24APR2012	KR	St.P



FOR FURTHER INFORMATION SEE DATA SHEET FOR
PRECISION THIN FILM PRECISION RESISTORS- CPF SERIES

RoHS Compliant



20

RELEASED FOR PUBLICATION

ALL RIGHTS RESERVED.

THIS DRAWING IS UNPUBLISHED.

BY -

© COPYRIGHT 20

DIMENSIONS: mm	DWN RAGHAVENDRA K	24APR2012	MATERIAL	-	FINISH	-			
	CHK ALLAN P	24APR2012	 TE Connectivity						
TOLERANCES UNLESS OTHERWISE SPECIFIED:	APVD STEPHEN.P	24APR2012							
	0 PLC ±	PRODUCT SPEC	NAME	THIN FILM PRECISION RESISTORS TYPE CPF 0201 SERIES					
1 PLC ±0.5	-	APPLICATION SPEC	SIZE	CAGE CODE	DRAWING NO	RESTRICTED TO			
2 PLC ±0.13	-	-	A 4	00779	C-2176072	-			
3 PLC ±0.013	WEIGHT	0.00014 Gram	SCALE		40:1	SHEET	1 OF 1	REV	BA
4 PLC ±0.0001	CUSTOMER DRAWING		SCALE		40:1	SHEET	1 OF 1	REV	BA
ANGLES ±	CUSTOMER DRAWING		SCALE		40:1	SHEET	1 OF 1	REV	BA

