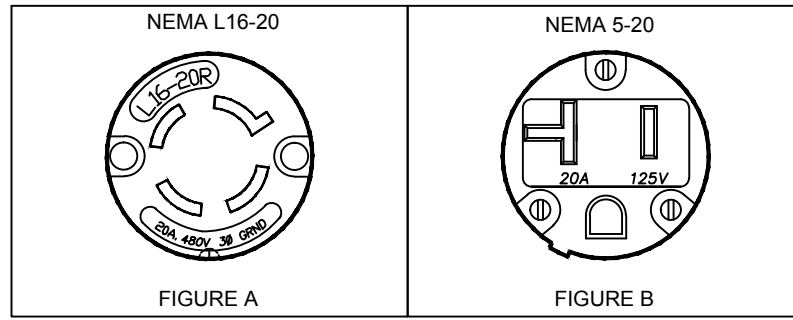
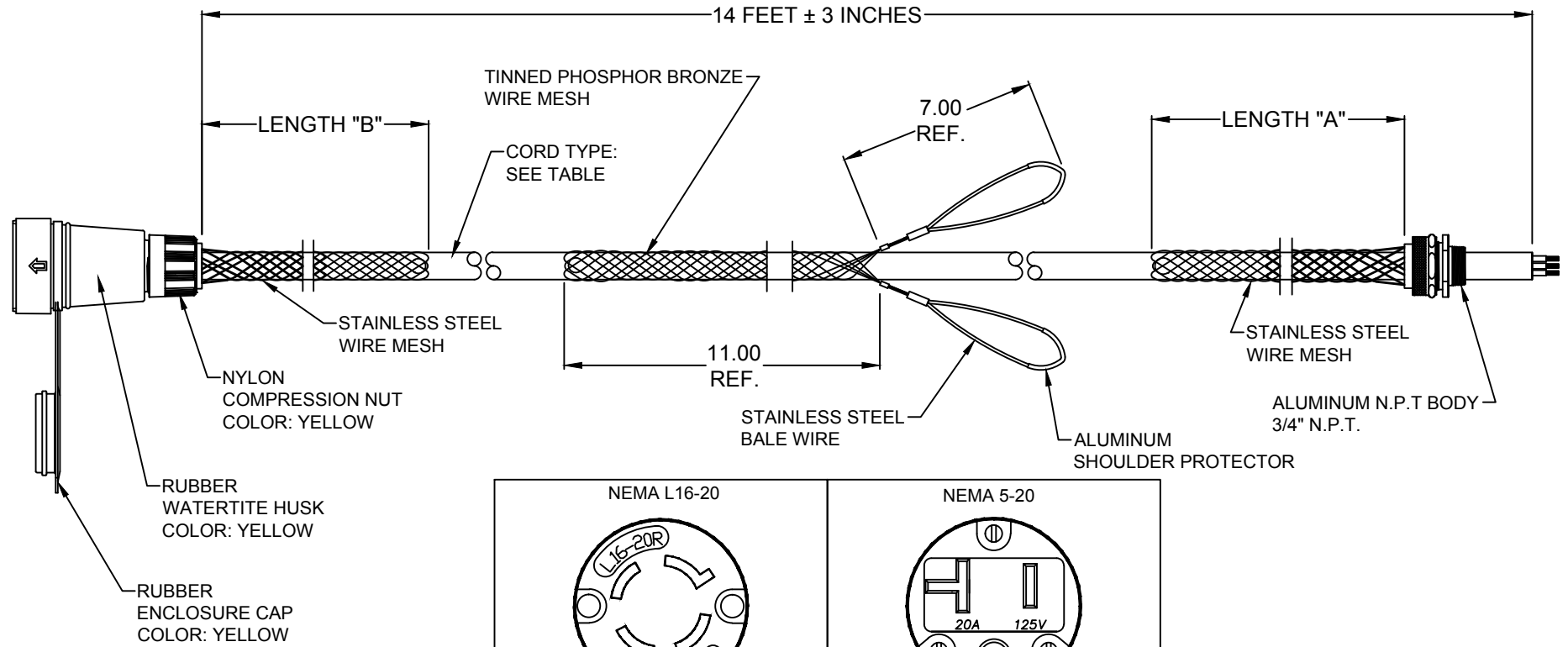


MATERIAL#	CONNECTOR	CORD TYPE / COLOR	LENGTH "A" REF.	LENGTH "B" REF.
1301430393	SEE FIGURE A	#12-4 SOOW / YELLOW	6.25	9.0
1301430394	SEE FIGURE B	#12-3 SOOW / YELLOW	8.5	6.75
1301430397	SEE FIGURE B	#12-3 SOOW / BLACK	8.5	6.75



ADDED 1301430397 EC NO: IFC2017-0996 DRWN: BPAITERS CHKD: --- APPR: HKNEELAN 2016/06/20	5/2/17 DESCRIPTION WATERTITE WIRING DEVICE 14 FEET OF CORD 3/4" NPT GRIP	QUALITY SYMBOLS	GENERAL TOLERANCES (UNLESS SPECIFIED)	DIMENSION STYLE	SCALE	DESIGN UNITS	THIRD ANGLE PROJECTION															
		$\nabla = 0$ $\nabla C = 0$	<table border="1"> <thead> <tr> <th></th> <th>mm</th> <th>INCH</th> </tr> </thead> <tbody> <tr> <td>4 PLACES</td> <td>±---</td> <td>±---</td> </tr> <tr> <td>3 PLACES</td> <td>±---</td> <td>±.005</td> </tr> <tr> <td>2 PLACES</td> <td>±---</td> <td>±.010</td> </tr> <tr> <td>1 PLACE</td> <td>±---</td> <td>±.020</td> </tr> </tbody> </table>		mm	INCH	4 PLACES	±---	±---	3 PLACES	±---	±.005	2 PLACES	±---	±.010	1 PLACE	±---	±.020	INCH	NTS	INCH	TITLE WATERTITE WIRING DEVICE 14 FEET OF CORD 3/4" NPT GRIP Molex MOLEX INCORPORATED DOCUMENT NO. SD-130143-028 SHEET NO. 1 OF 1
			mm	INCH																		
		4 PLACES	±---	±---																		
3 PLACES	±---	±.005																				
2 PLACES	±---	±.010																				
1 PLACE	±---	±.020																				
DRAFT WHERE APPLICABLE MUST REMAIN WITHIN DIMENSIONS		DRAWN BY DATE HRUIZ01 2016/06/14 CHECKED BY DATE HKNEELAN 2016/06/14 APPROVED BY DATE JFMURPHY 2016/06/20	MATERIAL NO. SEE TABLE																			
		SIZE A	THIS DRAWING CONTAINS INFORMATION THAT IS PROPRIETARY TO MOLEX INCORPORATED AND SHOULD NOT BE USED WITHOUT WRITTEN PERMISSION																			

6

5

4

3

2

1

E

E

D

D

C

C

B

B

A

A

6

5

4

3

2

1