

## Stems for levelling elements



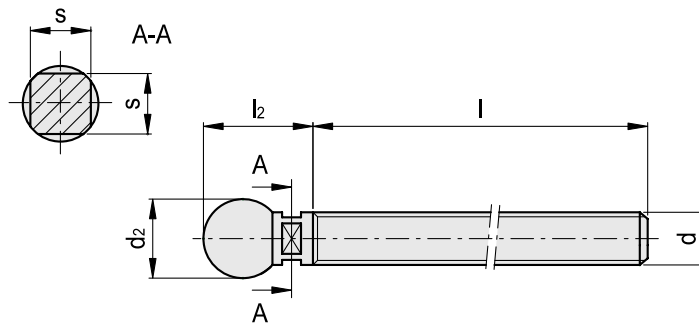
• **Spheric articulated and threaded stem with adjusting square**

AISI 304 stainless steel.

**Note**

To choose the base see "Tables of the possible combinations Bases/ Stems".

The stems are usually supplied in a packing of four pieces compacted by means of a shrink film to avoid any damaging movement during transport. For big quantities, the stems are supplied in wooden boxes and are placed in order, to avoid any damaging movement during transport.



Code	Description	d	l	l <sub>2</sub>	d <sub>2</sub>	s	⚖
322891	SMQ-8.5-SST-M8x48	M8	48	15	8.5	7	19
322894	SMQ-8.5-SST-M8x73	M8	73	15	8.5	7	29
322901	SMQ-8.5-SST-M10x48	M10	48	15	8.5	7	26
322904	SMQ-8.5-SST-M10x73	M10	73	15	8.5	7	42
322907	SMQ-8.5-SST-M10x103	M10	103	15	8.5	7	60
322911	SMQ-8.5-SST-M12x48	M12	48	15	8.5	9	37
322914	SMQ-8.5-SST-M12x73	M12	73	15	8.5	9	59
322917	SMQ-8.5-SST-M12x103	M12	103	15	8.5	9	90
322971	SMQ-14-SST-M16x68	M16	68	19.7	13.9	12	96
322974	SMQ-14-SST-M16x108	M16	108	19.7	13.9	12	160
322977	SMQ-14-SST-M16x148	M16	148	19.7	13.9	12	224
322979	SMQ-14-SST-M16x168	M16	168	19.7	13.9	12	256
322981	SMQ-14-SST-M20x110	M20	110	24.7	13.9	15	260
322984	SMQ-14-SST-M20x150	M20	150	24.7	13.9	15	360
322987	SMQ-14-SST-M20x170	M20	170	24.7	13.9	15	410
322989	SMQ-14-SST-M20x210	M20	210	24.7	13.9	15	509
322991	SMQ-14-SST-M24x110	M24	110	24.7	13.9	18	367
322994	SMQ-14-SST-M24x170	M24	170	24.7	13.9	18	582
322997	SMQ-14-SST-M24x210	M24	210	24.7	13.9	18	726