

# RH-MK | Folding handles

Steel

METRIC



## MATERIAL

Round cross section steel bar, ground surface, chrome-plated mirror finish.

## MOUNTING

Zinc-plated washers and nuts, included in the supply.

## STOP SPRING

To keep the handle open or folded back.

## SPECIAL EXECUTIONS ON REQUEST

Plastic coating, smooth finish, black colour.



# RH-EK | Folding handles

Stainless steel

METRIC



## MATERIAL

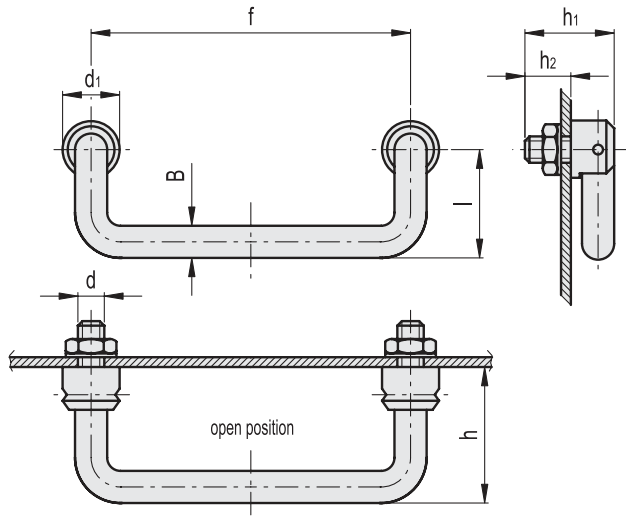
AISI 303 stainless steel bar,

## STOP SPRING

Stainless steel, to keep the handle open or folded back.

## MOUNTING

Stainless steel nuts and washers, included in the supply.



Conversion Table	
1 mm = 0.039 inch	
mm	inch
100	3.94
120	4.72
180	7.09
250	9.84

Code	METRIC									
	f	d	h2	d1	B	h	h1	l	$\Delta$	$\Delta$
RHMK-10.100.22	100	M10x1	14	18	10	44	28	34	160	
RHMK-10.120.22	120	M10x1	14	18	10	44	28	34	171	
RHMK-10.180.22	180	M10x1	14	18	10	44	28	34	204	

Code	INOX STAINLESS STEEL					METRIC				
	f	d	h2	B	h	l	d1	h1	$\Delta$	$\Delta$
RHEK-10.100.31	100	M10x1	14	10	44	34	18	28	134	
RHEK-10.120.31	120	M10x1	14	10	44	34	18	28	170	
RHEK-10.180.31	180	M10x1	14	10	44	34	18	28	208	
RHEK-20.250.33	250	M20x2	28	20	86	68	36	56	1325	

- 1
- 2
- 3
- 4
- 5
- 6
- 7
- 8
- 9
- 10
- 11
- 12
- 13
- 14
- 15
- 16
- 17
- 18

Lift & Pull handles