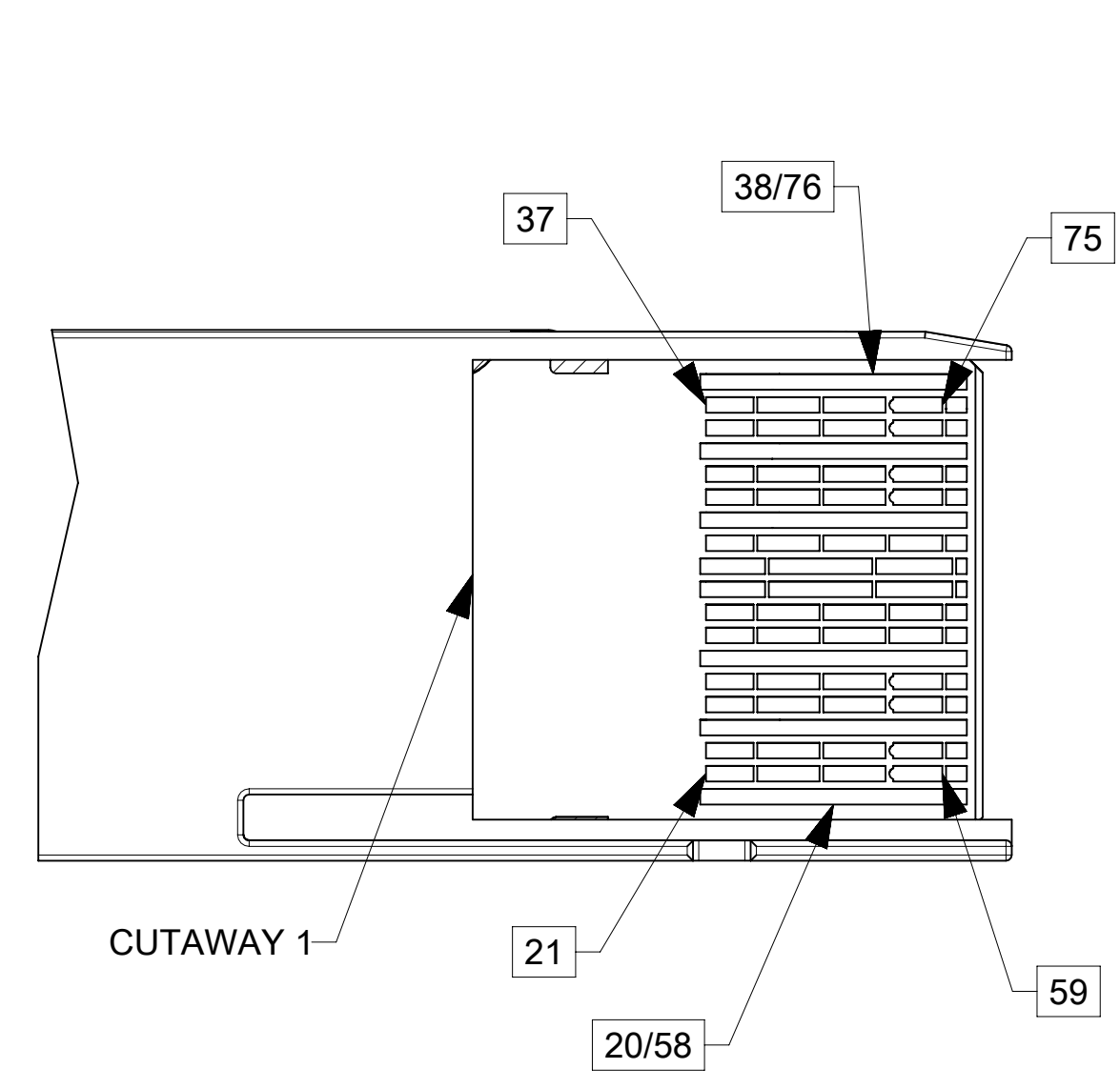


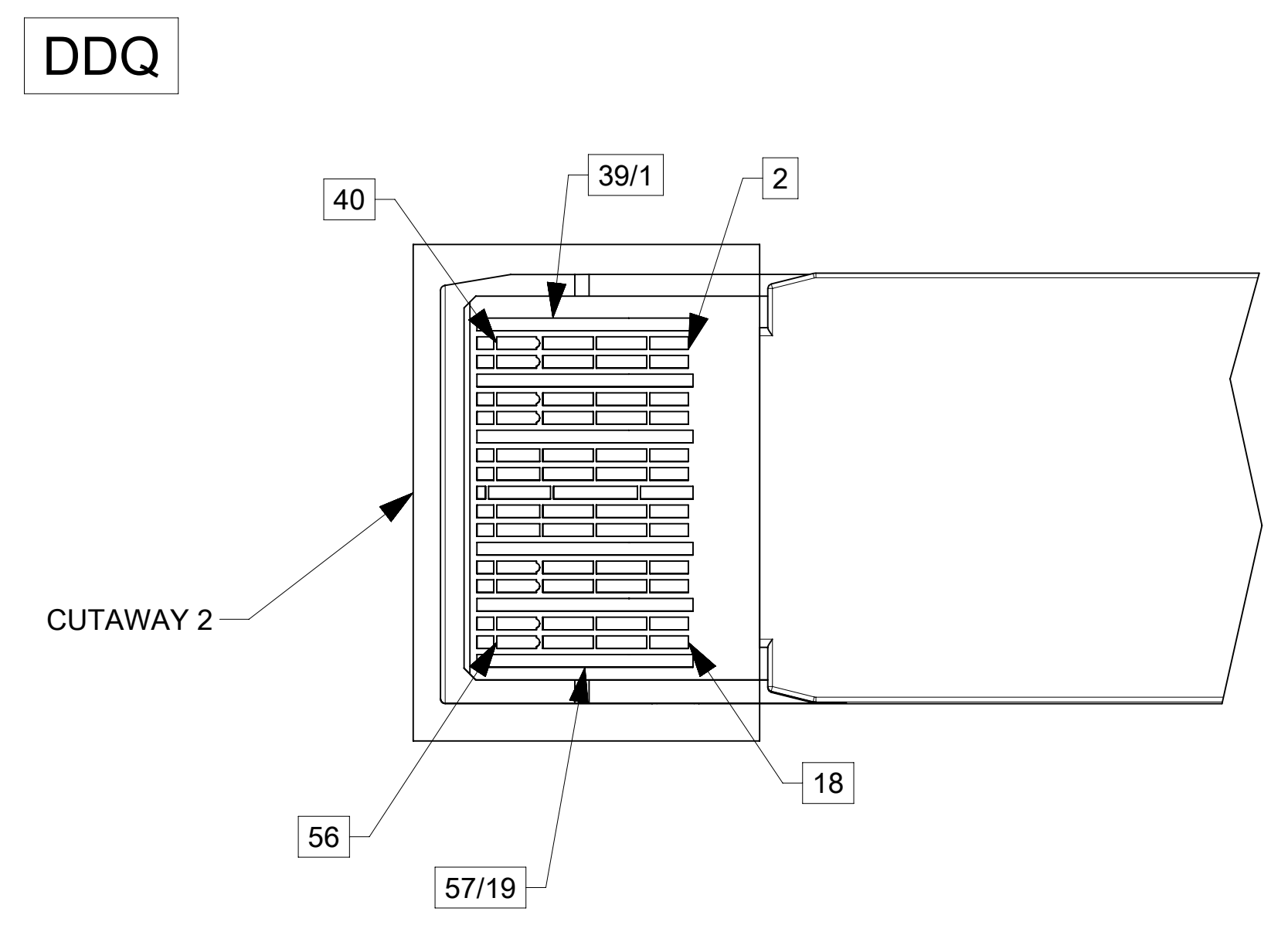
MOLEX P/N	LENGTH (M)	TOL. (MM)	AWG
2058561005	0.5	+/- 50	30
2058561010	1.0	+/- 50	30
2058561015	1.5	+/- 80	30
2058563005	0.5	+/- 50	28
2058563010	1.0	+/- 50	28
2058563015	1.5	+/- 80	28
2058563020	2.0	+/- 80	28
2058563025	2.5	+/- 80	28
2058563030	3.0	+/- 80	26

- NOTES:
- MATERIALS
 BACKSHELLS - NICKEL PLATED ZINC
 ZSFP END DE-LATCH - PLASTIC
 DDQ END DE-LATCH - STAINLESS STEEL WITH OVERMOLDED NYLON
 RIVETS - STAINLESS STEEL
 - EACH ASSEMBLY HAS A SERIAL ID
 - RoHS COMPLIANT, NO EXEMPTIONS.
 - CABLE LENGTH DEPENDS ON WIRE GAUGE, DATA RATE, AND HOST BOARD DRIVER CAPABILITIES
 - IMPEDANCE - 100 OHMS DIFFERENTIAL
 - CABLE IS UL RECOGNIZED PER UL AWM STYLE 21479
 - EEPROM MAP AVAILABLE UPON REQUEST

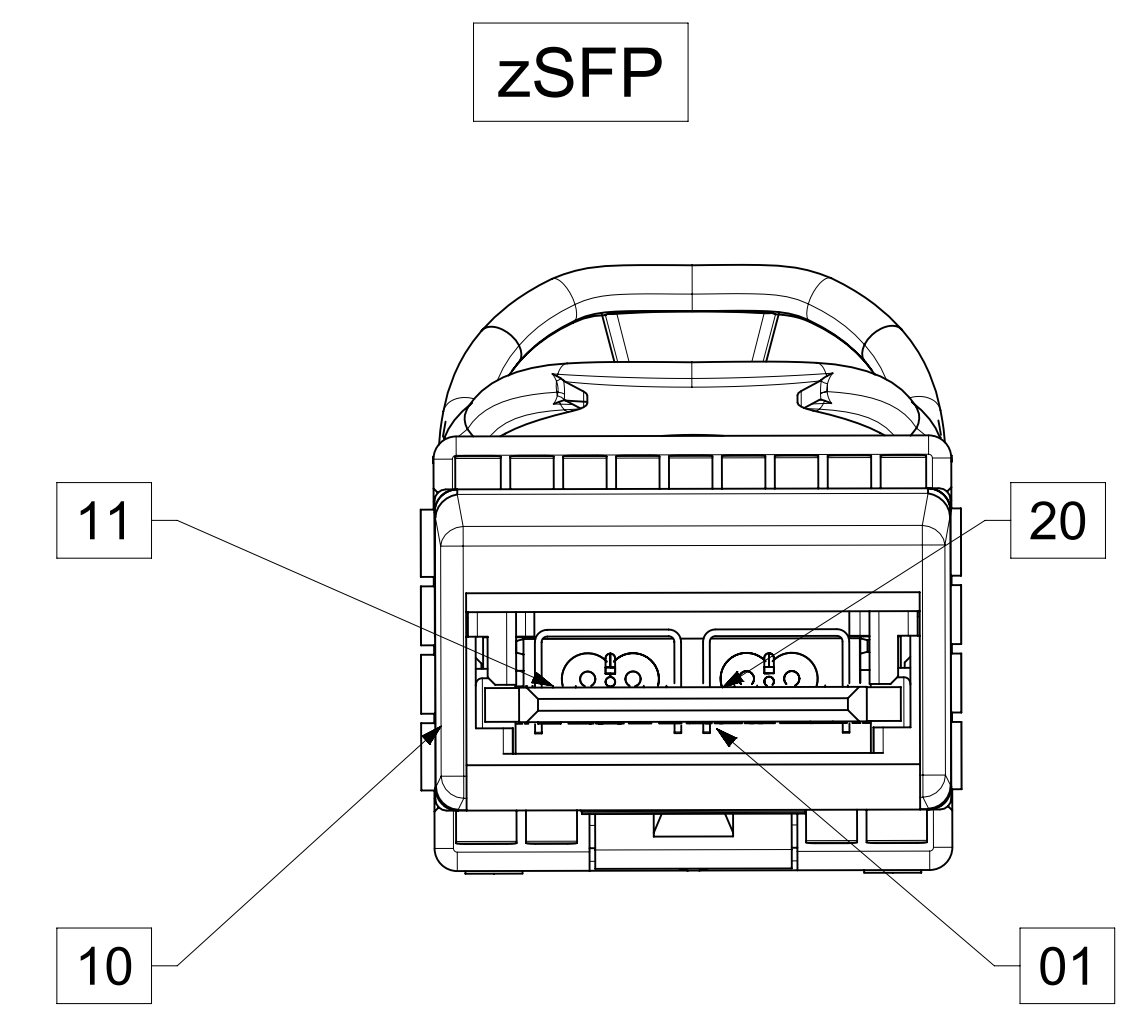
FUNCTIONAL SYMBOLS $\nabla_A = 0$ $\nabla_C = 0$ $\nabla_P = 0$ DIVISIONAL SYMBOLS	THIS DRAWING CONTAINS INFORMATION THAT IS PROPRIETARY TO MOLEX ELECTRONIC TECHNOLOGIES, LLC AND SHOULD NOT BE USED WITHOUT WRITTEN PERMISSION		CURRENT REV DESC: SHT 2: UPDATED DDQ SIDE BEND RADIUS AND BEND SPACE VALUES		
	DIMENSION UNITS	SCALE	EC NO: 690921		
	mm	1:1.25	DRWN: SKAMATHN 2022/01/05		
	GENERAL TOLERANCES (UNLESS SPECIFIED)		CHK'D: ADITHK 2022/01/06		
ANGULAR TOL ± °		APPR: SCHANNARAYAN 2022/01/07		PRODUCT CUSTOMER DRAWING	
4 PLACES ±		INITIAL REVISION:		DOCUMENT NUMBER	
3 PLACES ±		DRWN: ZDANDURAND 2017/10/25		2058561005	
2 PLACES ±		APPR: ADTUCKER 2017/10/27		DOC TYPE DOC PART REVISION	
1 PLACE ±		THIRD ANGLE PROJECTION		PSD 000 L4	
0 PLACES ±		DRAFT WHERE APPLICABLE MUST REMAIN WITHIN DIMENSIONS		MATERIAL NUMBER CUSTOMER	
		D-DRAWING SERIES		SEE P/N TABLE GENERAL MARKET	
		D-D-SIZE 205856		SHEET NUMBER	
				1 OF 4	



TOP VIEW

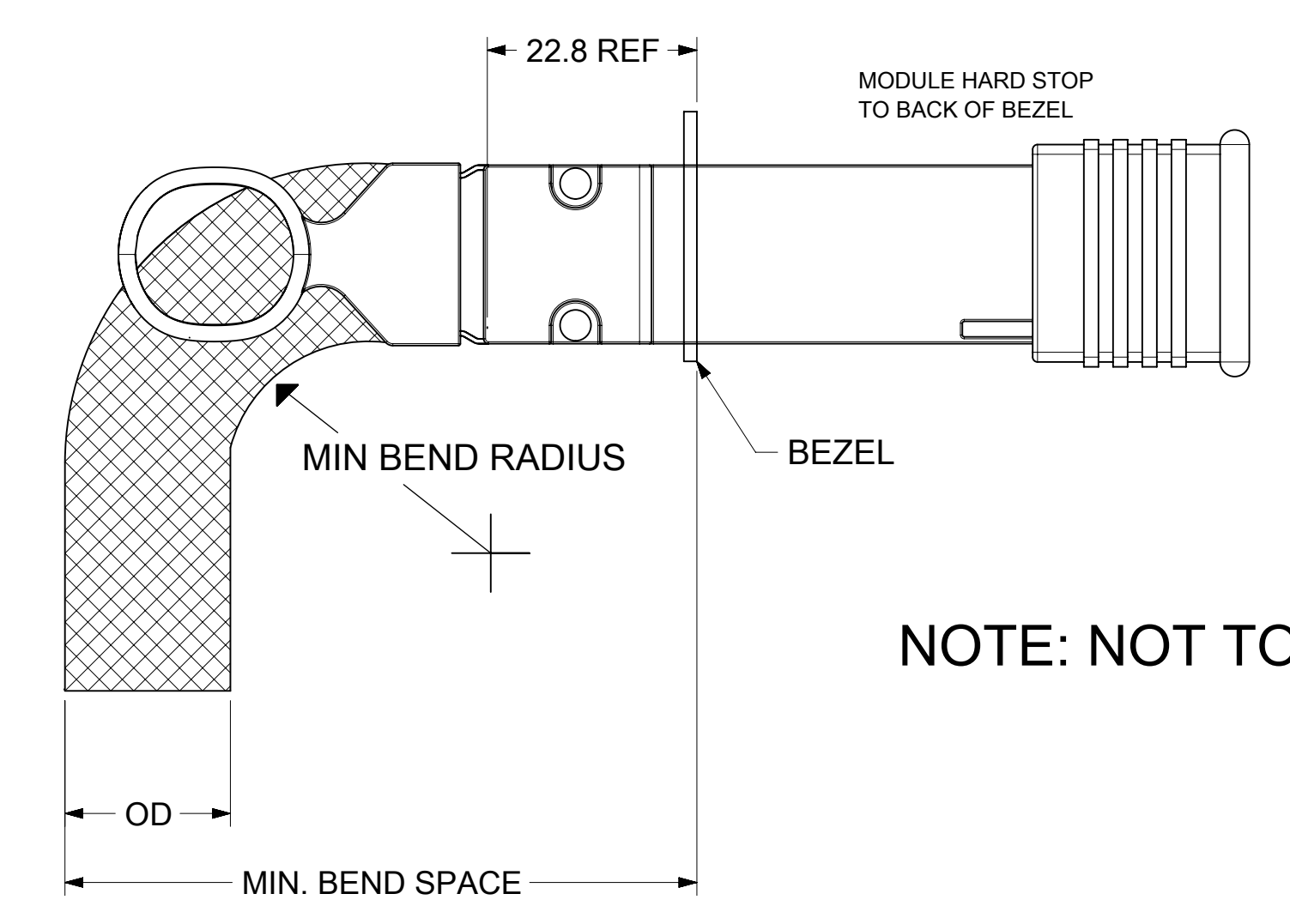


BOTTOM VIEW



zSFP

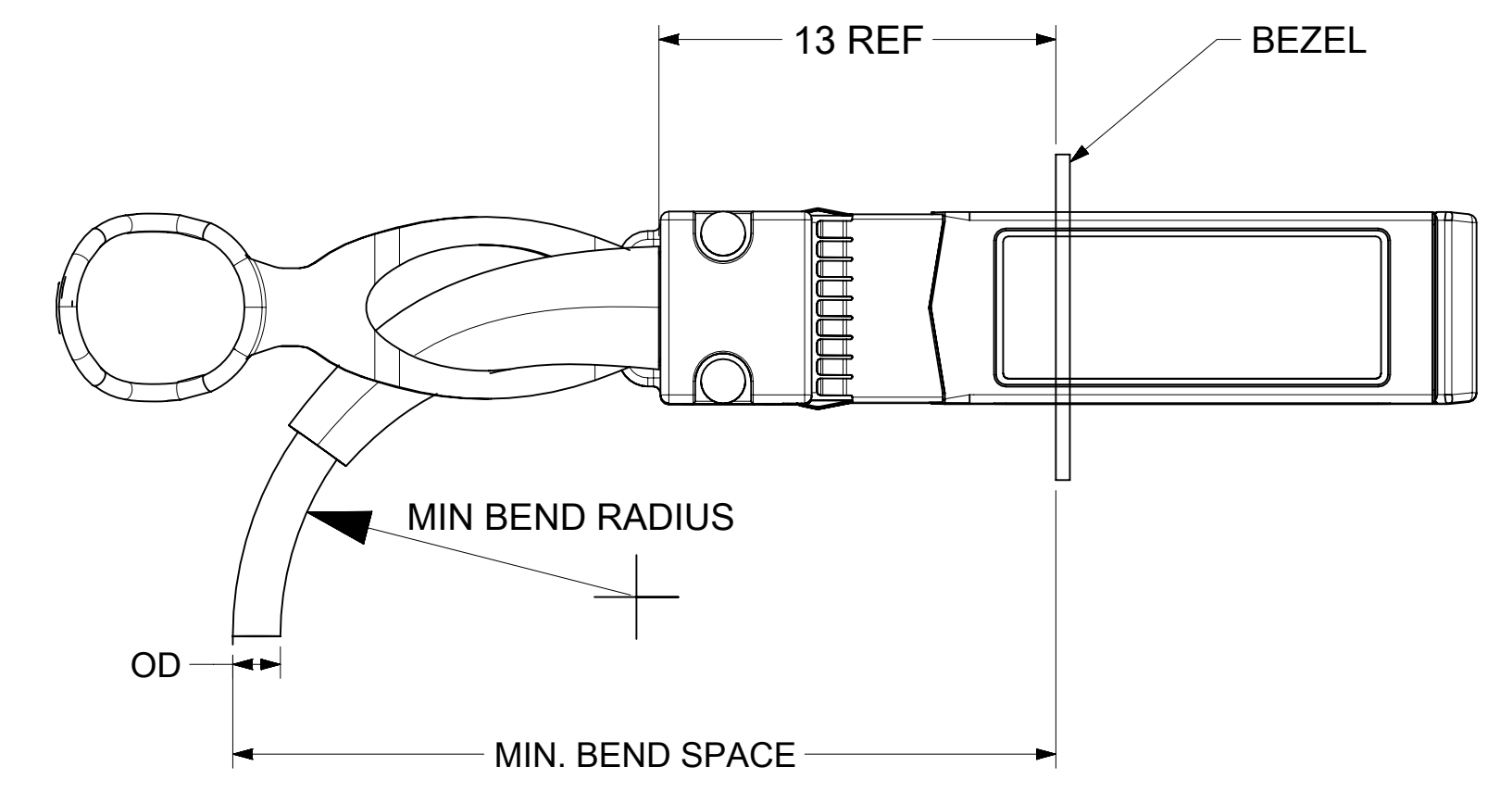
DDQ CABLE BEND RADIUS



NOTE: NOT TO SCALE

CABLE AWG	OD (mm)	MIN BEND RADIUS (mm)	MIN BEND SPACE (mm)
26	(13)	(65)	(101)
28	(11)	(55)	(89)
30	(9.4)	(45)	(77)

SFP28 CABLE BEND RADIUS



AWG	O.D. (mm)	MIN BEND RADIUS (mm)	MIN BEND SPACE (mm)
26	5.1	(26)	(44)
28	5.2	(26)	(45)
30	4.83	(24)	(42)

FUNCTIONAL SYMBOLS: FA = 0, FC = 0, FP = 0

THIS DRAWING CONTAINS INFORMATION THAT IS PROPRIETARY TO MOLEX ELECTRONIC TECHNOLOGIES, LLC AND SHOULD NOT BE USED WITHOUT WRITTEN PERMISSION

DIMENSION UNITS: mm

SCALE: 2:1

GENERAL TOLERANCES (UNLESS SPECIFIED): 4 PLACES ±

ANGULAR TOL: ± °

EC NO: 690921

DRWN: SKAMATHN 2022/01/05

CHK'D: ADITHK 2022/01/06

APPR: SCHANNARAYAN 2022/01/07

INITIAL REVISION: DRWN: ZDANDURAND 2017/10/25

APPR: ADTUCKER 2017/10/27

PRODUCT CUSTOMER DRAWING

DOCUMENT NUMBER: 2058561005

DOC TYPE: PSD

DOC PART: 000

REVISION: L4

DRAFT WHERE APPLICABLE MUST REMAIN WITHIN DIMENSIONS

THIRD ANGLE PROJECTION

DRAWING: D-SIZE

SERIES: 205856

MATERIAL NUMBER: SEE P/N TABLE

CUSTOMER: GENERAL MARKET

SHEET NUMBER: 2 OF 4

WIRING DIAGRAM						
PORT	DDQ END			zSFP END		PORT
	Pad	Signal		Pad	Signal	
1	35	GND	----		GND	2
	36	TX1p	--->	13	RD+	
	37	TX1n	--->	12	RD-	
	16	GND	----		GND	
	17	RX1p	<---	18	TD+	
	18	RX1n	<---	19	TD-	
	3	1	GND	----		GND
		2	TX2n	--->	12	RD-
		3	TX2p	--->	13	RD+
		20	GND	----		GND
		21	RX2n	<---	19	TD-
		22	RX2p	<---	18	TD+
	4	32	GND	----		GND
		33	TX3p	--->	13	RD+
		34	TX3n	--->	12	RD-
		13	GND	----		GND
		14	RX3p	<---	18	TD+
		15	RX3n	<---	19	TD-
	5	4	GND	----		GND
		5	TX4n	--->	12	RD-
		6	TX4p	--->	13	RD+
		23	GND	----		GND
		24	RX4n	<---	19	TD-
		25	RX4p	<---	18	TD+
	7	GND	----		GND	
	19	GND	----		GND	
26	GND	----		GND		
38	GND	----		GND		

WIRING DIAGRAM						
PORT	DDQ END			zSFP END		PORT
	Pad	Signal		Pad	Signal	
1	73	GND	----		GND	6
	74	TX5p	--->	13	RD+	
	75	TX5n	--->	12	RD-	
	54	GND	----		GND	
	55	RX5p	<---	18	TD+	
	56	RX5n	<---	19	TD-	
	7	39	GND	----		GND
		40	TX6n	--->	12	RD-
		41	TX6p	--->	13	RD+
		58	GND	----		GND
		59	RX6n	<---	19	TD-
		60	RX6p	<---	18	TD+
	8	70	GND	----		GND
		71	TX7p	--->	13	RD+
		72	TX7n	--->	12	RD-
		51	GND	----		GND
		52	RX7p	<---	18	TD+
		53	RX7n	<---	19	TD-
	9	42	GND	----		GND
		43	TX8n	--->	12	RD-
		44	TX8p	--->	13	RD+
		61	GND	----		GND
		62	RX8n	<---	19	TD-
		63	RX8p	<---	18	TD+
	45	GND	----		GND	
	57	GND	----		GND	
64	GND	----		GND		
76	GND	----		GND		

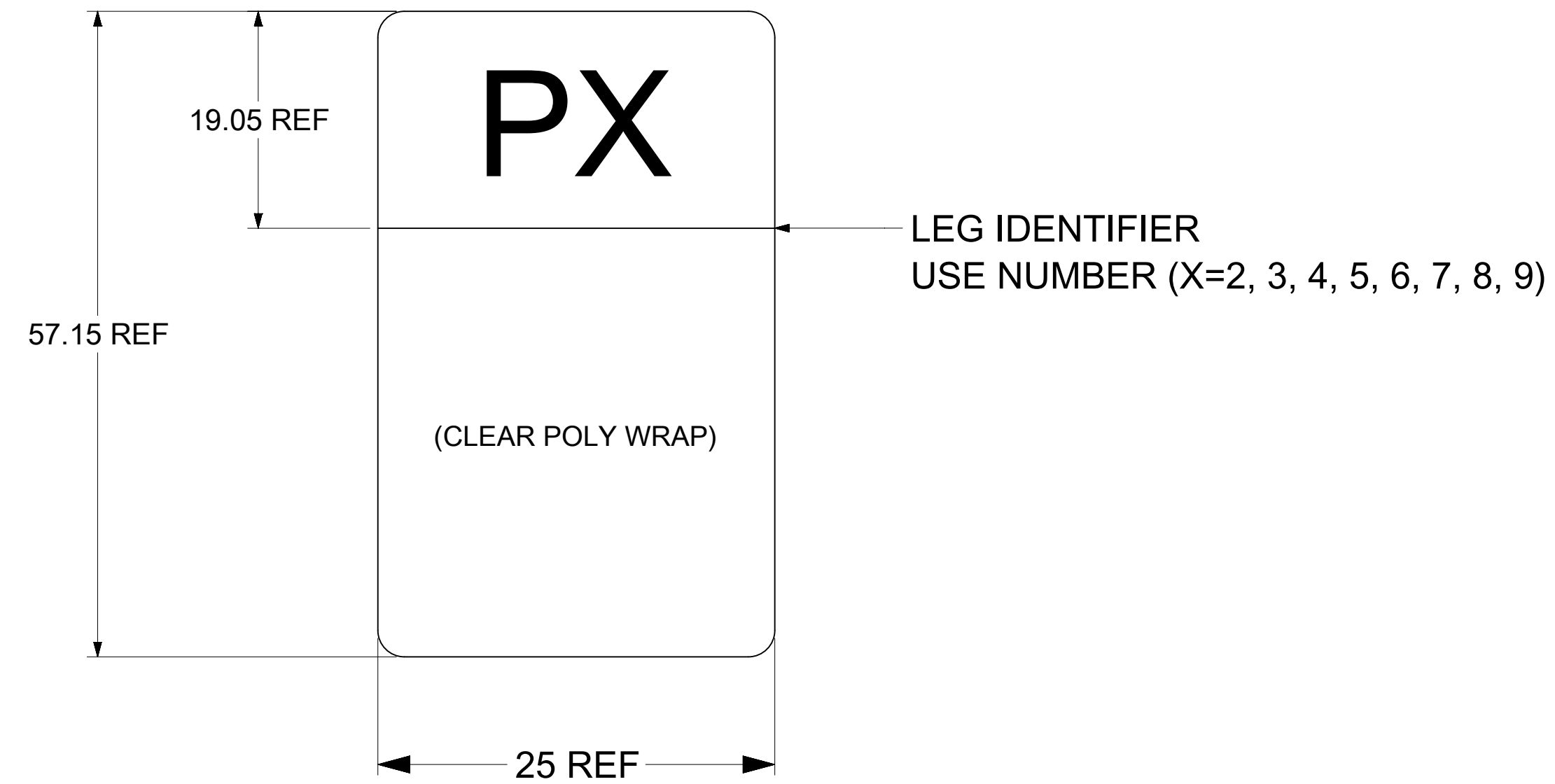
LEGEND:

---- = DRAIN LINES

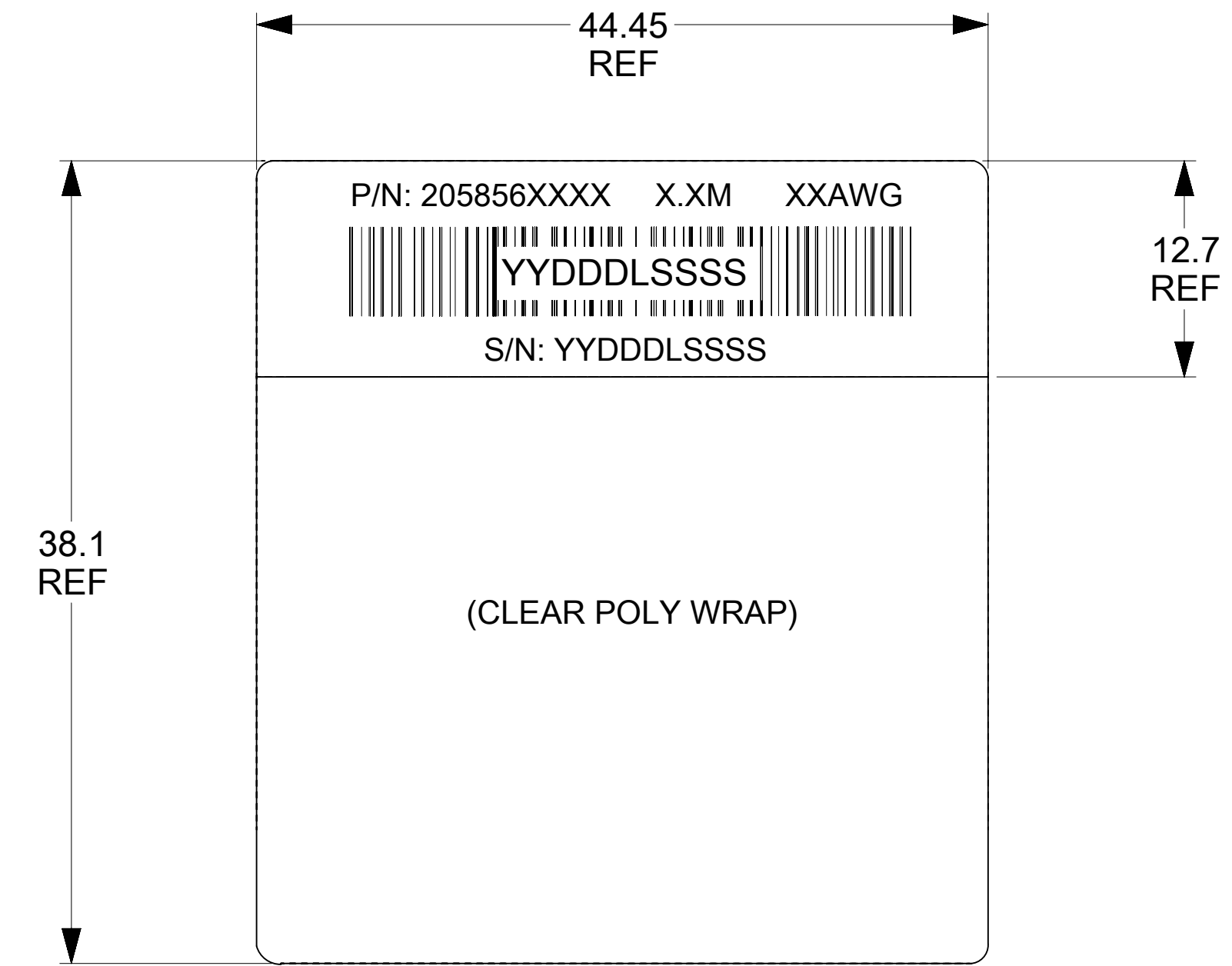
---> = TRANSMIT TO RECEIVE ON HIGH SPEED CIRCUITS

FUNCTIONAL SYMBOLS FA = 0 FC = 0 FP = 0 DIVISIONAL SYMBOLS	THIS DRAWING CONTAINS INFORMATION THAT IS PROPRIETARY TO MOLEX ELECTRONIC TECHNOLOGIES, LLC AND SHOULD NOT BE USED WITHOUT WRITTEN PERMISSION		CURRENT REV DESC: SHT 2: UPDATED DDQ SIDE BEND RADIUS AND BEND SPACE VALUES		 QSF-P-DD-8ZSFP 56G CABLE ASSEMBLY PRODUCT CUSTOMER DRAWING
	DIMENSION UNITS: mm SCALE: 1:1	GENERAL TOLERANCES (UNLESS SPECIFIED) ANGULAR TOL: ± °		EC NO: 690921 DRWN: SKAMATHN 2022/01/05 CHK'D: ADITHK 2022/01/06 APPR: SCHANNARAYAN 2022/01/07	
	4 PLACES ± 3 PLACES ± 2 PLACES ± 1 PLACE ± 0 PLACES ±	INITIAL REVISION: DRWN: ZDANDURAND 2017/10/25 APPR: ADTUCKER 2017/10/27		DOCUMENT NUMBER: 2058561005 DOC TYPE: PSD DOC PART: 000 REVISION: L4	
	DRAFT WHERE APPLICABLE MUST REMAIN WITHIN DIMENSIONS	THIRD ANGLE PROJECTION 	DRAWING: D-SIZE SERIES: 205856	MATERIAL NUMBER: SEE P/N TABLE CUSTOMER: GENERAL MARKET SHEET NUMBER: 3 OF 4	

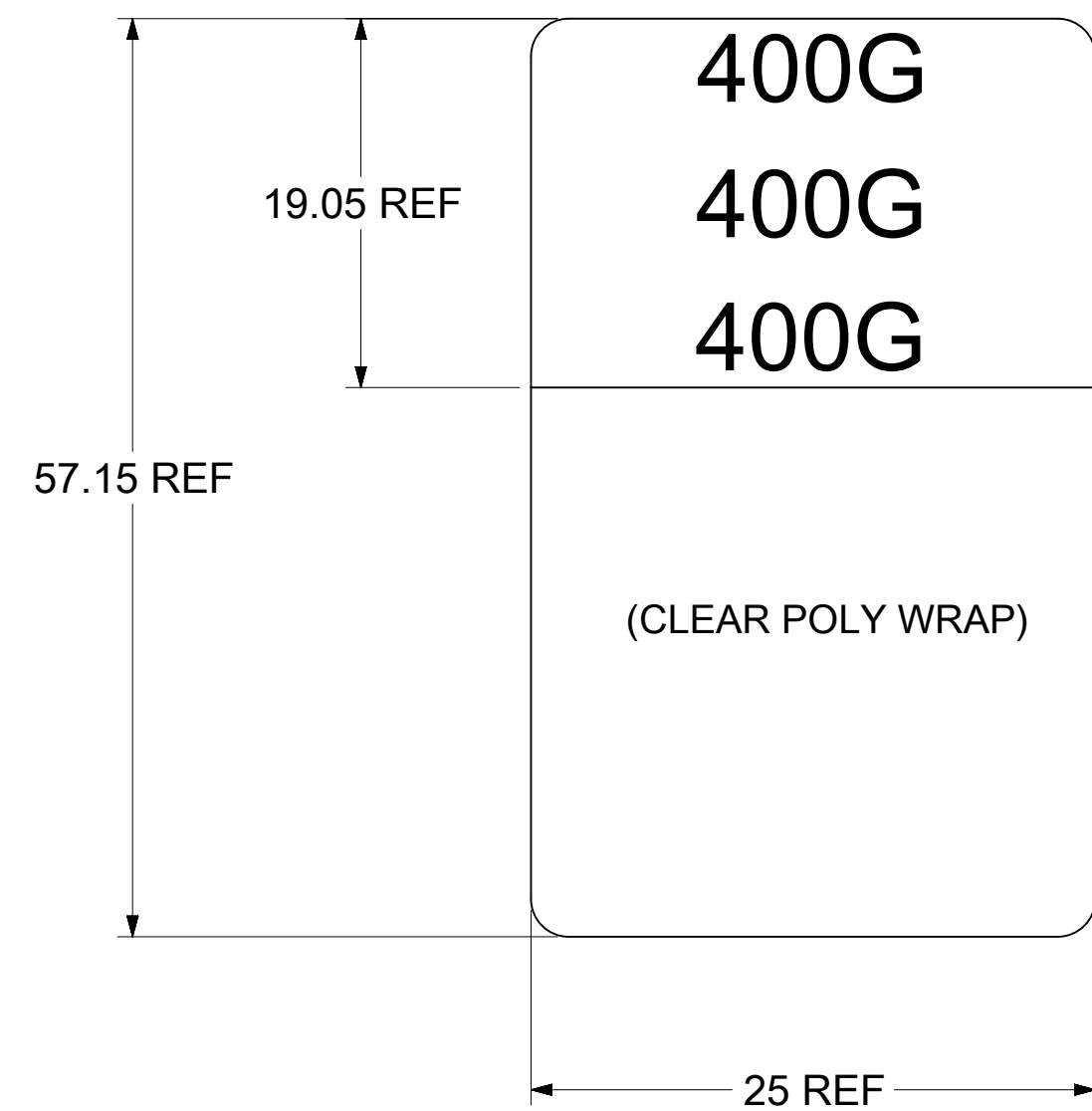
LEG ID LABEL



LABEL DETAILS



SPEED LABEL



P/N: 205856XXXX - MOLEX PART NUMBER (SEE P/N TABLE)

- X.XM - CABLE LENGTH IN METERS (EXAMPLES - 0.5M, 1.0M)
- XXAWG - CABLE SIZE IN AWG (SEE P/N TABLE)
- S/N: YYDDDLSSSS - SERIAL NUMBER
- YY - YEAR, THE LAST 2 DIGITS OF YEAR
- DDD - DAY OF THE YEAR
- L - LOCATION
- 1 - USA
- 2 - MEXICO
- 3 - CHINA
- 4 - PHILIPPINES
- SSSS - SERIAL NUMBER (0001-9999)

FUNCTIONAL SYMBOLS FA = 0 FC = 0 FP = 0	THIS DRAWING CONTAINS INFORMATION THAT IS PROPRIETARY TO MOLEX ELECTRONIC TECHNOLOGIES, LLC AND SHOULD NOT BE USED WITHOUT WRITTEN PERMISSION		CURRENT REV DESC: SHT 2: UPDATED DDQ SIDE BEND RADIUS AND BEND SPACE VALUES					
	DIMENSION UNITS mm	SCALE 1:1	GENERAL TOLERANCES (UNLESS SPECIFIED)					
	ANGULAR TOL ± °		EC NO: 690921					
	4 PLACES ±		DRWN: SKAMATHN 2022/01/05					
DIVISIONAL SYMBOLS	3 PLACES ±		CHK'D: ADITHK 2022/01/06		PRODUCT CUSTOMER DRAWING			
	2 PLACES ±		APPR: SCHANNARAYAN 2022/01/07					
	1 PLACE ±		INITIAL REVISION: DRWN: ZDANDURAND 2017/10/25 APPR: ADTUCKER 2017/10/27					
	0 PLACES ±		DRWN: ZDANDURAND 2017/10/25 APPR: ADTUCKER 2017/10/27					
DRAFT WHERE APPLICABLE MUST REMAIN WITHIN DIMENSIONS		THIRD ANGLE PROJECTION	DRAWING D-SIZE	SERIES 205856	DOCUMENT NUMBER 2058561005	DOC TYPE PSD	DOC PART 000	REVISION L4
SEE P/N TABLE		GENERAL MARKET		SHEET NUMBER 4 OF 4				