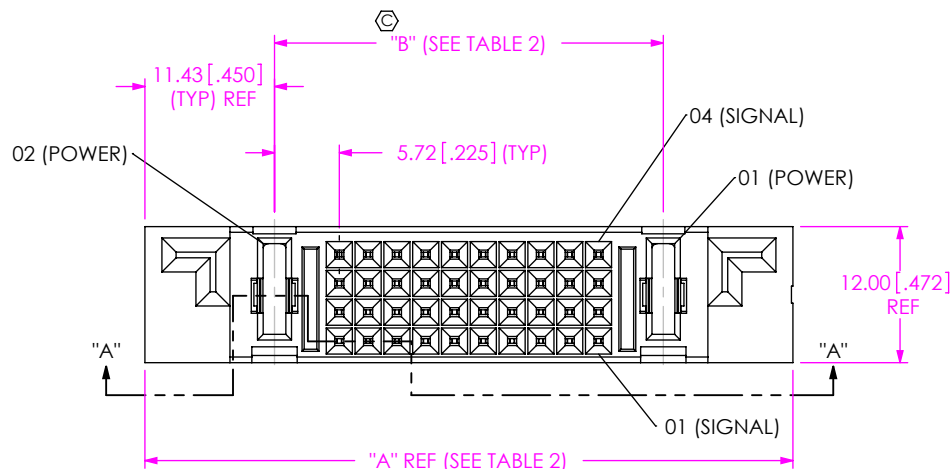


DO NOT
SCALE FROM
THIS PRINT



POWER PINS (PER END)

-01, -02, -04
(SEE TABLE 1 FOR AVAILABLE COMBINATIONS)

SIGNAL PINS

-12
-40 (SEE TABLE 1 FOR AVAILABLE COMBINATIONS)

POWER PINS (PER END)

-01, -02, -04 (SEE TABLE 1 FOR AVAILABLE COMBINATIONS)

LEAD STYLE

-01

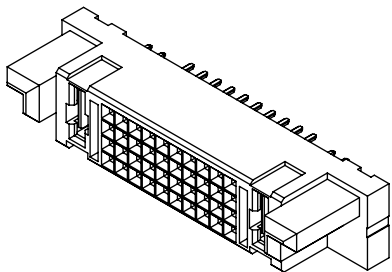
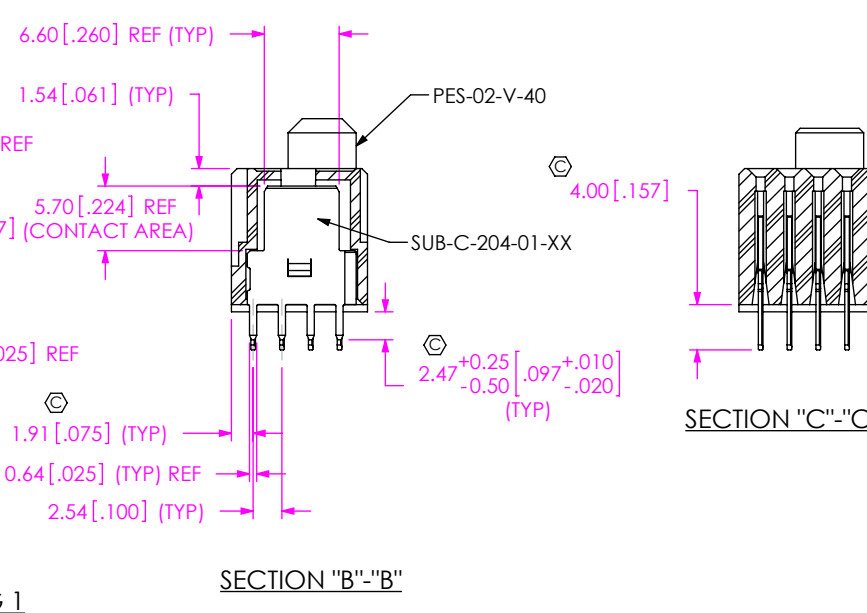
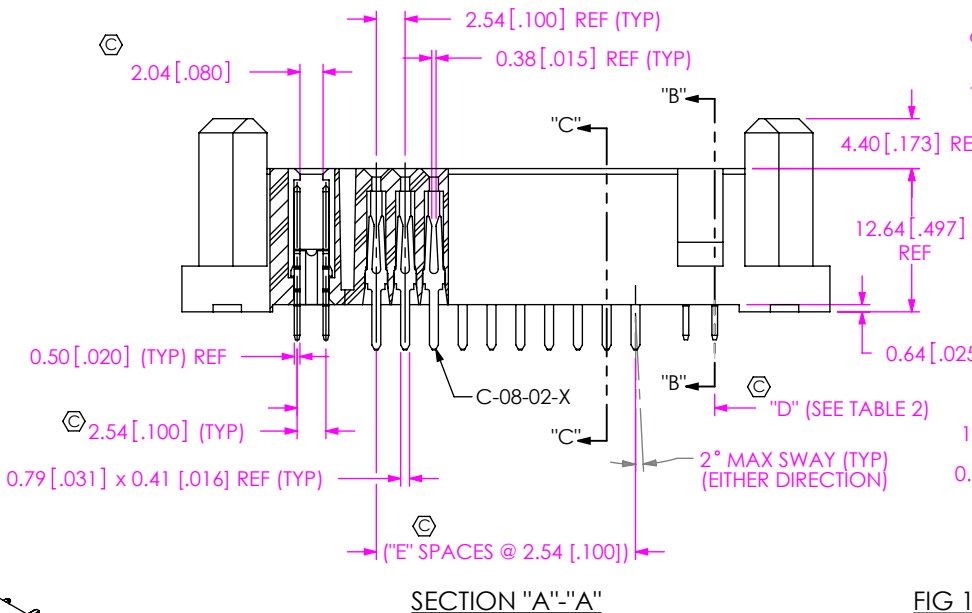
OPTION

-LC: LOCKING CLIP
(USE LC-11-TM)
(SEE FIG 2, SHT 2)

VERTICAL

PLATING SPECIFICATION

-S: 30μ" SELECTIVE GOLD IN CONTACT AREA, MATTE TIN ON TAIL
-T: MATTE TIN CONTACT AND TAIL
-L: 10μ" SELECTIVE GOLD IN CONTACT AREA, MATTE TIN ON TAIL



NOTES:

1. Ⓢ REPRESENTS A CRITICAL DIMENSION.
2. BURR ALLOWANCE: 0.13 [0.005] MAX.
3. MINIMUM PUSHOUT FORCE: 2.22N [0.5 LB].
4. PARTS TO BE PACKAGED IN TRAYS.

PART NUMBER	∕ MAX	"E"
PESC-01-12-01-01-X-VT-XX	0.15 [0.006]	2
PESC-02-12-02-01-X-VT-XX	0.20 [0.008]	2
PESC-04-12-04-01-X-VT-XX	0.20 [0.008]	2
PESC-01-40-01-01-X-VT-XX	0.15 [0.006]	9
PESC-02-40-02-01-X-VT-XX	0.20 [0.008]	9
PESC-04-40-04-01-X-VT-XX	0.20 [0.008]	9

FIG 1
PESC-01-40-01-01-X-VT SHOWN

CPC FREQUENCY THIS SHEET	A	C1, C4, C5, C7, C11, C13
	B	C6, C8
	C	
	D	

UNLESS OTHERWISE SPECIFIED, DIMENSIONS ARE IN MILLIMETERS.
TOLERANCES ARE:
DECIMALS ANGLES
X: ±0.3 [0.01] 2°
XX: ±0.13 [0.005]
XXX: ±0.051 [0.0020]

PROPRIETARY NOTE

THIS DOCUMENT CONTAINS INFORMATION CONFIDENTIAL AND PROPRIETARY TO SAMTEC, INC. AND SHALL NOT BE REPRODUCED OR TRANSFERRED TO OTHER DOCUMENTS OR DISCLOSED TO OTHERS OR USED FOR ANY PURPOSE OTHER THAN THAT WHICH IT WAS OBTAINED WITHOUT THE EXPRESSED WRITTEN CONSENT OF SAMTEC, INC.

MATERIAL: DO NOT SCALE DRAWING SHEET SCALE: 1:0.666667
INSULATOR: LCP, COLOR: BLACK
CONTACT: COPPER ALLOY



520 PARK EAST BLVD, NEW ALBANY, IN 47150
PHONE: 812-944-6733 FAX: 812-948-5047
e-Mail: info@SAMTEC.com code: 55322

DESCRIPTION:	VERTICAL POWER SOCKET
DWG. NO.	PESC-XX-XX-XX-01-X-VT-XX
BY: CLAY W	1/10/2006 SHEET 1 OF 2

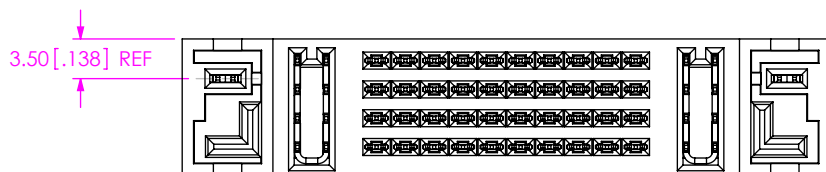
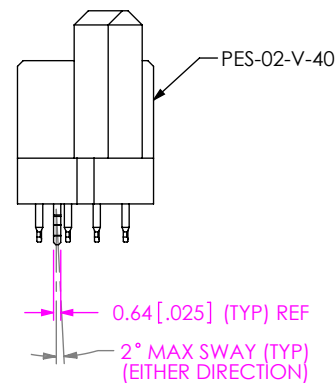
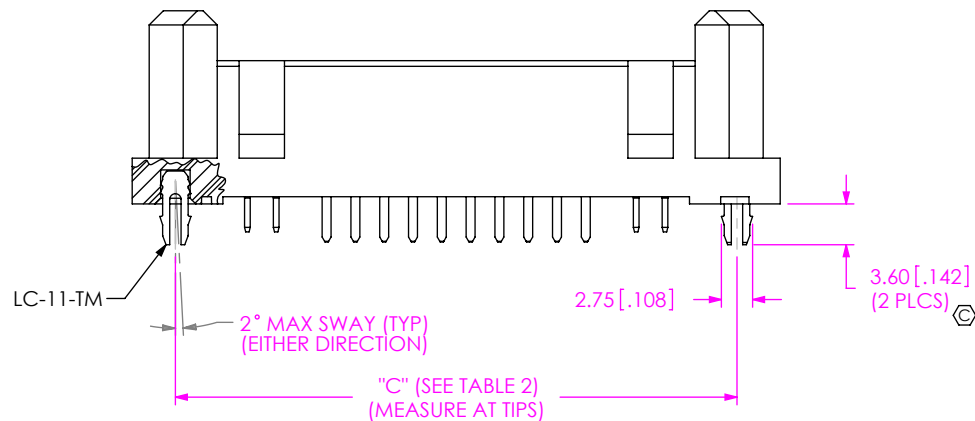


FIG 2
PESC-01-40-01-01-X-VT-LC SHOWN
(SAME AS FIG 1, EXCEPT AS SHOWN)

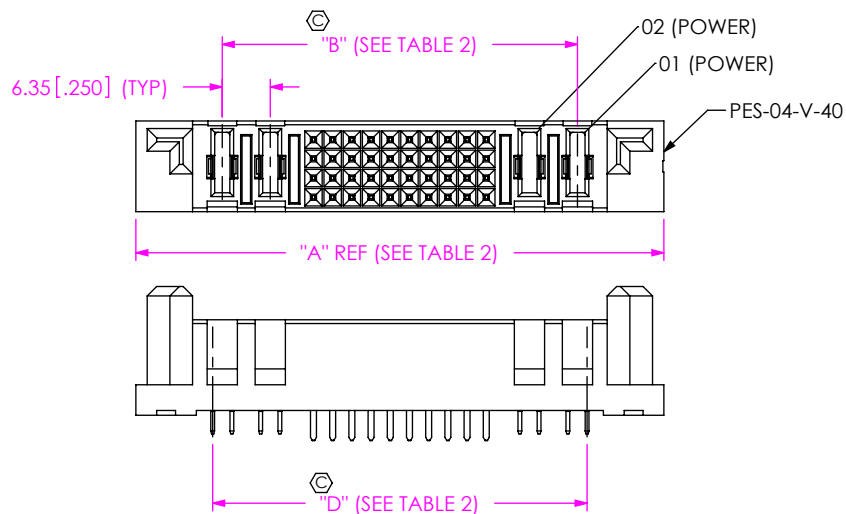


FIG 3
PESC-02-40-02-01-X-VT SHOWN
(SAME AS FIG 1 EXCEPT AS SHOWN)

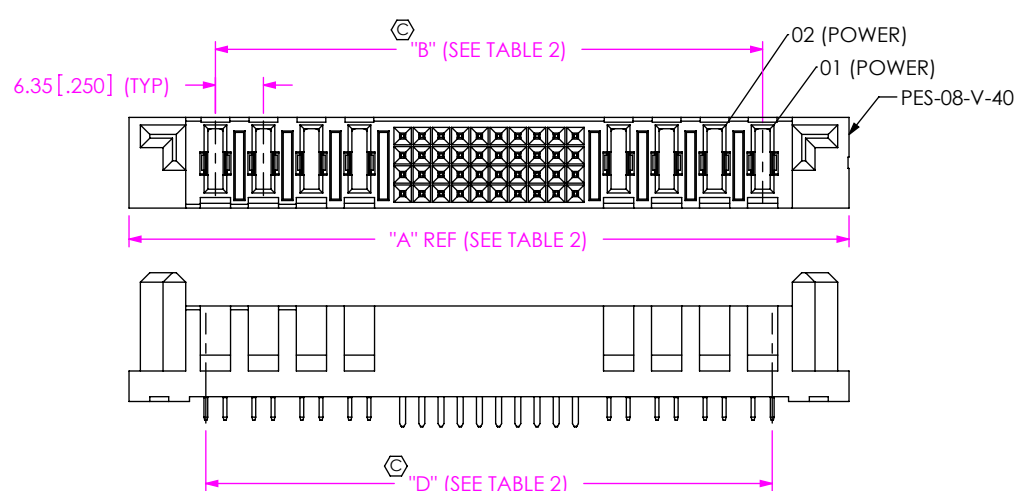


FIG 4
PESC-04-40-04-01-X-VT SHOWN
(SAME AS FIG 1 EXCEPT AS SHOWN)

PART NUMBER	TABLE 2			
	"A"	"B"	"C"	"D"
PESC-01-12-01-01-X-VT-XX	39.37 [1.550]	16.51 [.650]	31.75 [1.250]	19.05 [.750]
PESC-02-12-02-01-X-VT-XX	52.07 [2.050]	29.21 [1.150]	44.45 [1.750]	31.75 [1.250]
PESC-04-12-04-01-X-VT-XX	77.47 [3.050]	54.61 [2.150]	69.85 [2.750]	57.13 [2.250]
PESC-01-40-01-01-X-VT-XX	57.15 [2.250]	34.29 [1.350]	49.53 [1.950]	36.83 [1.450]
PESC-02-40-02-01-X-VT-XX	69.85 [2.750]	46.99 [1.850]	62.23 [2.450]	49.53 [1.950]
PESC-04-40-04-01-X-VT-XX	95.25 [3.750]	72.39 [2.850]	87.63 [3.450]	74.93 [2.950]

F:\DWG\MISC\MKTG\PESC-XX-XX-XX-01-X-VT-XX-MKT.SLDDRW

CPC FREQUENCY THIS SHEET	
A	C1, C11
B	C9
C	
D	

PROPRIETARY NOTE
THIS DOCUMENT CONTAINS INFORMATION CONFIDENTIAL AND PROPRIETARY TO SAMTEC, INC. AND SHALL NOT BE REPRODUCED OR TRANSFERRED TO OTHER DOCUMENTS OR DISCLOSED TO OTHERS OR USED FOR ANY PURPOSE OTHER THAN THAT WHICH IT WAS OBTAINED WITHOUT THE EXPRESSED WRITTEN CONSENT OF SAMTEC, INC.

DO NOT SCALE DRAWING
SHEET SCALE: 1:0.666667



520 PARK EAST BLVD, NEW ALBANY, IN 47150
PHONE: 812-944-6733 FAX: 812-948-5047
e-Mail: info@SAMTEC.com code: 55322

DESCRIPTION: VERTICAL POWER SOCKET
DWG. NO. PESC-XX-XX-XX-01-X-VT-XX
BY: CLAY W 1/10/2006 SHEET 2 OF 2