



Since 1959

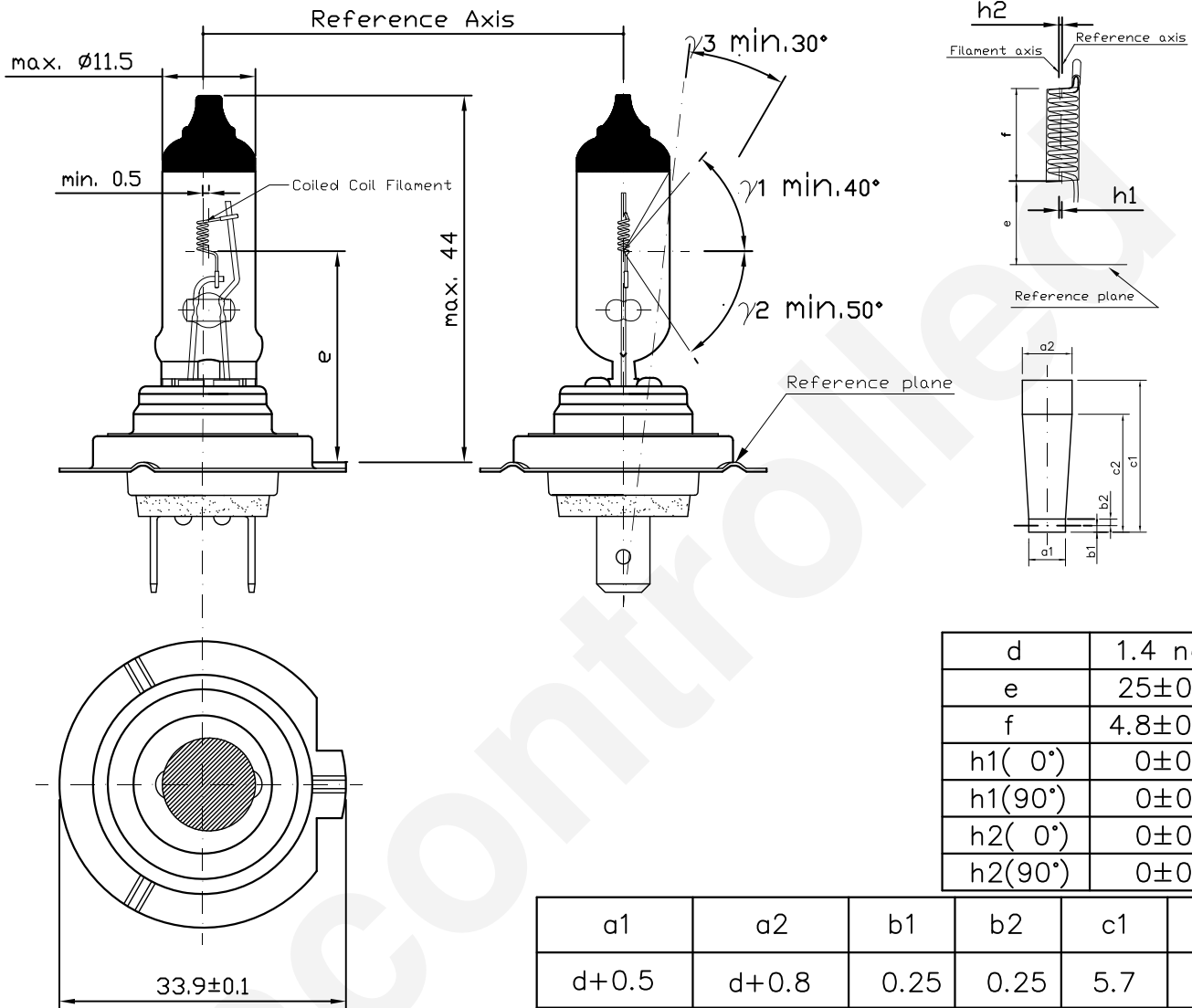
Product Information Sheet

H7 12V 70W

H7 70W

2012. 12. 11 NEW

2011. 07. 04 OLD



d	1.4 nom
e	25±0.25
f	4.8±0.4
h1( 0°)	0±0.25
h1(90°)	0±0.25
h2( 0°)	0±0.4
h2(90°)	0±0.4

a1	a2	b1	b2	c1	c2
d+0.5	d+0.8	0.25	0.25	5.7	4.4

Halogen bulb

H7 12V 80W Rally

Cap: <sup>1)</sup> PX26d

Type: RA

ECE R37                  None

FMVSS108                None

Bulb: UV-cut Quartz glass

Made in Korea / INCHEON

1) according to IEC 61-1 sheet 7004-5-1

Technical data	
Test voltage	13.2V
Power	80W max.
Luminous flux	2000lm±15%
Lumen maintenance	85 % min
Rated life:	at 13.2V
- characteristic Tc	500 h min
- B3	300 h min
Maximum operating temperature:	1: bulb 800°C max 2: pinch 400°C max