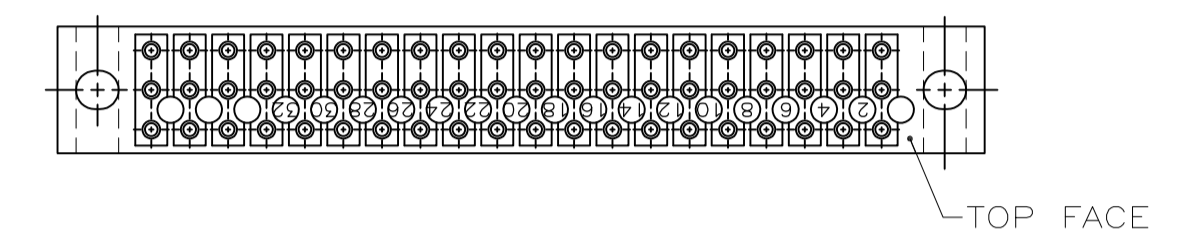


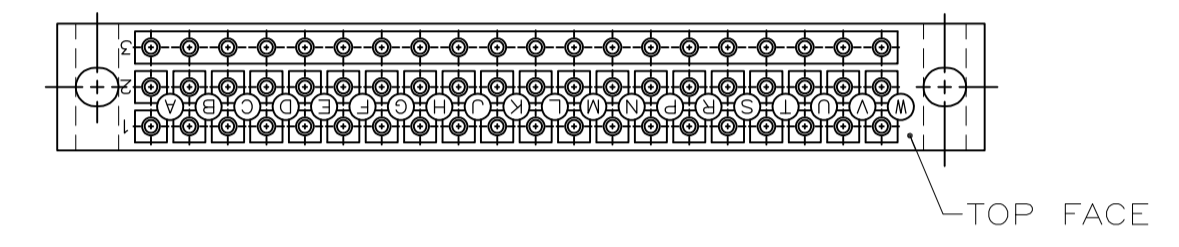
LOC		DIST		REVISIONS			
P	LTR	DESCRIPTION	DATE	DN	APVD		
DN	REV PER ECO	13-006076	03MAY13	KG	DE		

- AMP BLOCK ASSEMBLY PART NUMBER, 'AMP' & DATE CODE STAMPED ON FRONT FACE UNLESS OTHERWISE SPECIFIED IN TABLE.
- IF STAMPING OF A CUSTOMER PART NUMBER IS SPECIFIED IN TABLE AMP BLOCK ASSEMBLY PART NUMBER IS OMITTED.
- ALL CHARACTERS ON FRONT OR REAR FACE ARE .13 HIGH.
- CHARACTERS 1,2,3 & A THRU W ARE STAMPED .06 HIGH ON BOTH TOP AND BOTTOM FACE OF BLOCK UNLESS OTHERWISE SPECIFIED IN TABLE.
- COLOR OF ALL CHARACTERS IS BLACK NATURAL & YELLOW COLORED BLOCKS AND WHITE ON ALL OTHER COLORED BLOCKS.
- MAXIMUM TOTAL BOW PERMISSIBLE = .025 INCH.

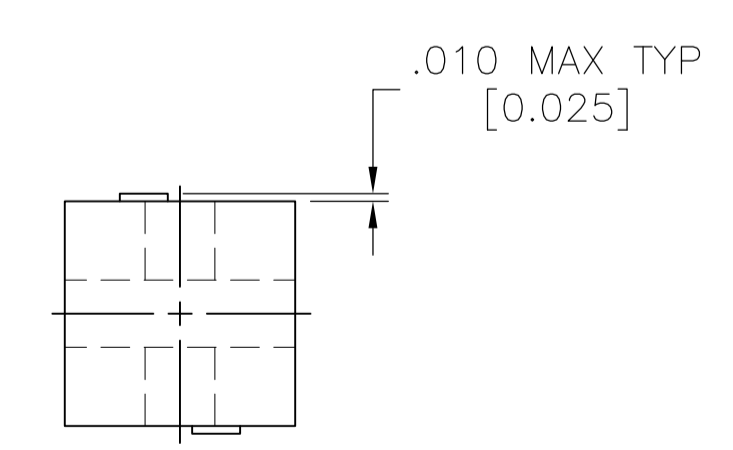
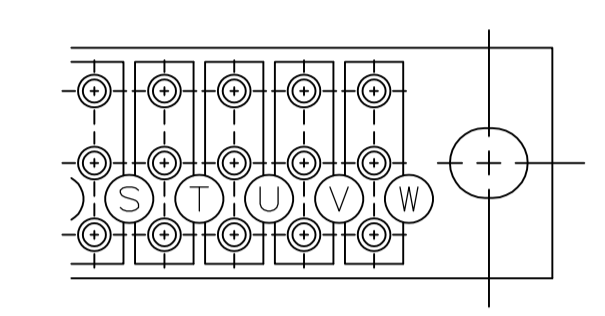
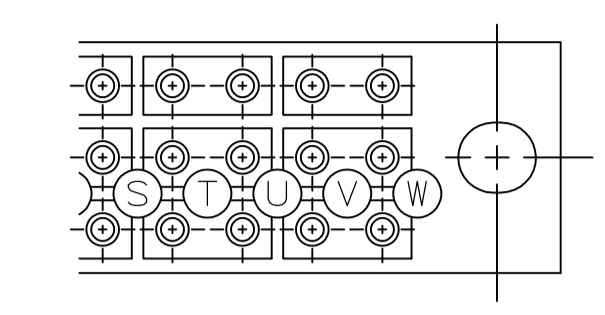
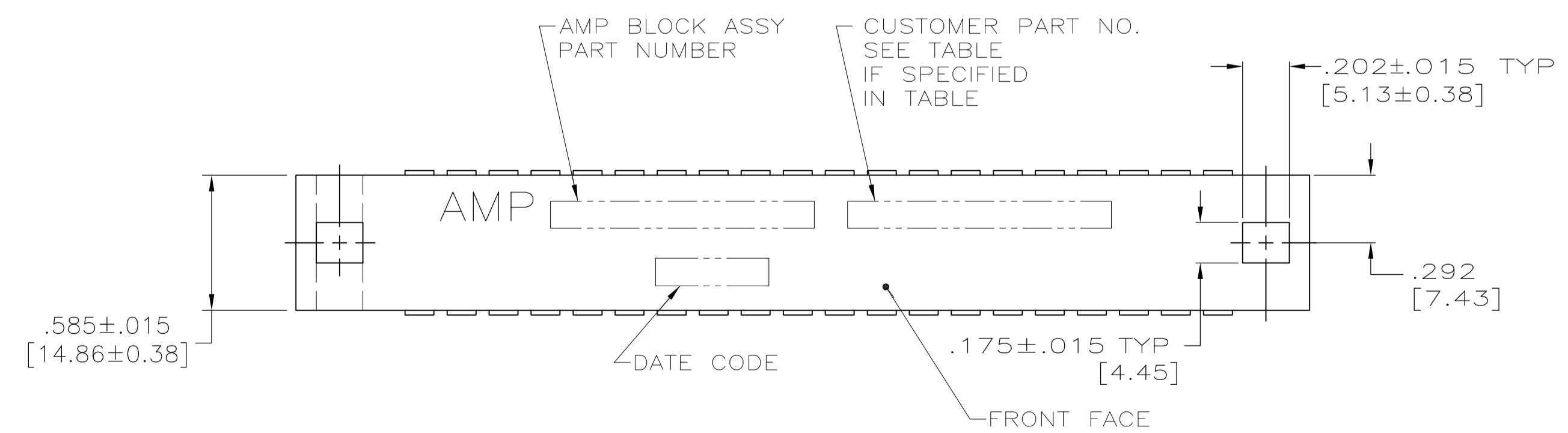
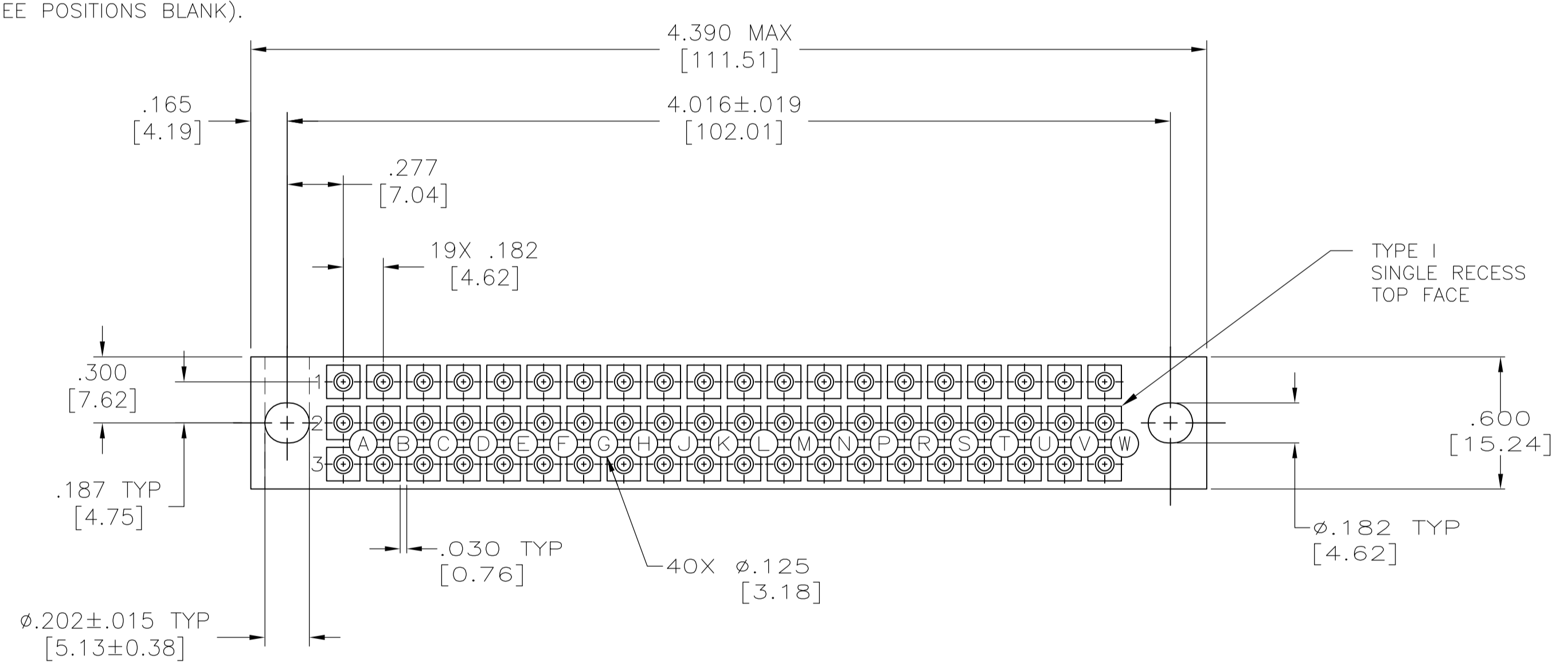
7 2-581342-1 STAMPED AS SHOWN:



8 593799-1 STAMPED AND RECESS ARRANGEMENT AS SHOWN:



9 NOTES 1 THRU 5 EXCEPT OMIT 1,2 & 3 AND A THRU W TO BE 1,3,5,7,8 THRU 31 (FIRST POSITION AND LAST THREE POSITIONS BLANK).



THIS DRAWING IS A CONTROLLED DOCUMENT. DIMENSIONING AND TOLERANCING PER ASME Y14.5M (ISO STANDARDS)		DIN K. GLATFELTER 01MAY2013		TE Connectivity	
DIMENSIONS: INCHES [mm]		CHK: D. FARY 01MAY2013		NAME: CONNECTOR BLOCK ASSEMBLY, 53 SERIES, 60 CAVITY	
TOLERANCES UNLESS OTHERWISE SPECIFIED:		APVD: D. FARY 01MAY2013		PRODUCT SPEC: 108-7053	
0 PLC ± -		APPLICATION SPEC: 108-7054		RESTRICTED TO: -	
1 PLC ± -		SIZE: A1		CAGE CODE: 00779	
2 PLC ± -		DRAWING NO: 581173		SHEET 1 OF 2	
3 PLC ± .01(0.25)		REV: C		REV: DN	
4 PLC ± -		SCALE: 2:1		SHEET 1 OF 2	
ANGLES ± -		WEIGHT: APPROX. 45.4 GRAMS		CUSTOMER DRAWING	
MATERIAL: BLOCK: SEE TABLE		FINISH: SEE TABLE		SCALE: 2:1	

NOTES	TYPE	FUNCTION	PLATING	MATERIAL	COLOR	PART NO
NOTES 1 EXCEPT $\triangle 8$	II	20 SINGLE ROW 1&2, 20 COMMON ROW 3		GOLD	NYLON	NATURAL 583799-1
NOTES 1 THRU 5 & CUST NO 1942441-21	I	4 COMMON 5 SETS 3 ROWS		GOLD	NYLON	NATURAL 4-583564-1
NOTES 1 THRU 5	I	4 COMMON 5 SETS 3 ROWS		GOLD	NYLON	NATURAL 583564-1
NOTES 1 THRU 5	III	ALL TRIPLE		GOLD	NYLON	NATURAL 3-583158-9
NOTES 1 THRU 5	I	20 COMMON 3 ROWS		GOLD	NYLON	NATURAL 3-583154-9
NOTES 1 THRU 5	III	6 COMMON ROW A&B,C&D,ETC.		GOLD	NYLON	BLACK 3-582753-0
NOTES 1 THRU 5 EXCEPT OMIT 1,2,3 & A THRU W TO BE 1 THRU 20, .04 HIGH	I	20 COMMON 3 ROWS		GOLD	NYLON	GRAY 3-582656-8
	I	20 COMMON 3 ROWS		GOLD	NYLON	RED 3-582656-2
NOTES 1 THRU 5	I	20 COMMON 3 ROWS		GOLD	NYLON	BLUE 3-582640-6
NOTES 1 THRU 5	I	20 COMMON 3 ROWS		GOLD	NYLON	ORANGE 3-582640-3
NOTES 1 THRU 5	I	20 COMMON 3 ROWS		GOLD	NYLON	BLACK 3-582640-0
	III	ALL TRIPLE		GOLD	NYLON	NATURAL 3-582521-9
NOTES 1 THRU 5 EXCEPT 1,2,3 TO BE A,B,C & A THRU W TO BE 1 THRU 20 .04 HIGH	III	ALL TRIPLE		GOLD	NYLON	BLUE 3-582521-6
	III	ALL TRIPLE		GOLD	NYLON	GREEN 3-582521-5
	III	ALL TRIPLE		GOLD	NYLON	ORANGE 3-582521-3
	III	ALL TRIPLE		GOLD	NYLON	RED 3-582521-2
	III	ALL TRIPLE		GOLD	NYLON	BLACK 3-582521-0
NOTES 1 THRU 5	I	ALL SINGLE		GOLD	NYLON	RED 3-582415-2
NOTES 1 THRU 5	II	ALL SINGLE ROW 1 & 3		GOLD	NYLON	NATURAL 3-582411-9
NOTES 1 THRU 5	II	ALL COMMON ROW 2		GOLD	NYLON	BLACK 3-582411-0
NOTES 1 THRU 5	II	ALL DUAL		GOLD	NYLON	ORANGE 3-582401-3
NOTES 1 THRU 5	II	ALL DUAL		TIN	NYLON	BLACK 1-582401-0
NOTES 1 THRU 5 & CUST NO 1942441-22	I	10 COMMON 6 SETS		GOLD	NYLON	NATURAL 4-582363-1
NOTES 1 THRU 5	I	10 COMMON 6 SETS		GOLD	NYLON	NATURAL 3-582363-9
NOTES 1 THRU 5 & CUST NO 1942441-16	I	5 COMMON 4 SETS PER ROW		GOLD	NYLON	NATURAL 4-582362-1
NOTES 1 THRU 5 EXCEPT OMIT 1,2,3 & A THRU W	I	4 COMMON 5 SETS, 3 ROWS		GOLD	NYLON	NATURAL 4-582362-0
NOTES 1 THRU 5	I	5 COMMON 4 SETS PER ROW		GOLD	NYLON	NATURAL 2-582362-9
NOTES 1 THRU 5	III	ALL TRIPLE		GOLD	NYLON	BLUE 3-582349-6
NOTES 1 THRU 5	III	ALL TRIPLE		GOLD	NYLON	BLACK 3-582349-0
	I	ALL SINGLE		GOLD	NYLON	NATURAL 3-582219-9
NOTES 1 THRU 5 EXCEPT 1,2,3 TO BE A,B,C & A THRU W TO BE 1 THRU 20 .04 HIGH	I	ALL SINGLE		GOLD	NYLON	BLUE 3-582219-6
	I	ALL SINGLE		GOLD	NYLON	YELLOW 3-582219-4
	I	ALL SINGLE		GOLD	NYLON	RED 3-582219-2
	I	ALL SINGLE		GOLD	NYLON	BROWN 3-582219-1
	I	ALL SINGLE		TIN	NYLON	RED 1-582219-2
NOTES 1 THRU 5 & CUST NO 1942441-14	I	ALL COMMON		GOLD	NYLON	NATURAL 4-582217-1
NOTES 1 THRU 5	I	ALL COMMON		GOLD	NYLON	NATURAL 3-582217-9
NOTES 1 THRU 5	I	ALL COMMON		GOLD	NYLON	RED 3-582217-2
NOTES 1 THRU 5	I	ALL COMMON		GOLD	NYLON	BLACK 3-582217-0
NOTES 1 THRU 5 EXCEPT OMIT 1,2,3 & A THRU W	III	ALL TRIPLE		GOLD	NYLON	NATURAL 3-582182-9
	I	ALL SINGLE		GOLD	NYLON	NATURAL 3-582181-9
NOTES 1 THRU 5 & CUST NO 1942441-19	I	20 COMMON 3 ROWS		GOLD	NYLON	NATURAL 4-582150-1
NOTES 1 THRU 5	I	20 COMMON 3 ROWS		GOLD	NYLON	NATURAL 3-582150-9
NOTES 1 THRU 5	I	20 COMMON 3 ROWS		TIN	NYLON	NATURAL 1-582150-9
NOTES 1 THRU 5 & CUST NO 1942441-5	III	ALL TRIPLE		GOLD	NYLON	NATURAL 4-581342-1
	III	ALL TRIPLE		TIN	NYLON	NATURAL 2-581342-1
	III	ALL TRIPLE		TIN	NYLON	NATURAL 1-581342-1
NOTES 1 THRU 5	III	ALL TRIPLE		GOLD	NYLON	NATURAL 581342-3
NOTES 1 THRU 5	III	ALL TRIPLE		SILVER	NYLON	NATURAL 581342-2
NOTES 1 THRU 5	III	ALL TRIPLE		TIN	NYLON	NATURAL 581342-1
NOTES 1 THRU 5	II	ALL DUAL		GOLD	POLYETHYLENE	NATURAL 581178-3
NOTES 1 THRU 4 & CUST NO 1942441-18	II	ALL DUAL		GOLD	NYLON	NATURAL 4-581177-1
NOTES 1 THRU 5	II	ALL DUAL		GOLD	NYLON	NATURAL 581177-3
NOTES 1 THRU 5	II	ALL DUAL		TIN	NYLON	NATURAL 581177-1
NOTES 1 THRU 5	I	ALL SINGLE		GOLD	POLYETHYLENE	NATURAL 581174-3
NOTES 1 THRU 5 & CUST NO 1942441-15	I	ALL SINGLE		GOLD	NYLON	NATURAL 4-581173-1
NOTES 1 THRU 5	I	ALL SINGLE		GOLD	NYLON	NATURAL 581173-3

THIS DRAWING IS A CONTROLLED DOCUMENT. DIMENSIONING AND TOLERANCING PER ASME Y14.5M (ISO STANDARDS)		DIN K. GLATFELTER 01MAY2013		TE Connectivity	
DIMENSIONS: INCHES [mm]		CHK: D. FARY 01MAY2013		NAME: CONNECTOR BLOCK ASSEMBLY, 53 SERIES, 60 CAVITY	
TOLERANCES UNLESS OTHERWISE SPECIFIED:		APP'D: D. FARY 01MAY2013		PRODUCT SPEC: 108-7053	
0. PLC ± .01				APPLICATION SPEC: 108-7054	
1. PLC ± .01					
2. PLC ± .01					
3. PLC ± .01(0.25)					
4. PLC ± .01					
ANGLES ± .5					
MATERIAL BLOCK: SEE TABLE		FINISH: SEE TABLE		WEIGHT: APPROX. 45.4 GRAMS	
INSERT: BRASS		SCALE: 2:1		SHEET 2 OF 2	
		CUSTOMER DRAWING		REV: DN	