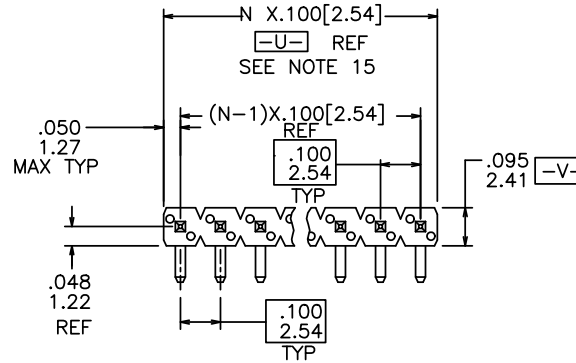


PRODUCT NUMBER

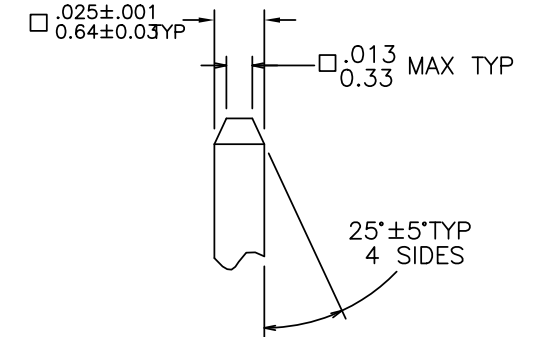
XXXXX-YYY HTLF

- LEAD FREE OPTION
SEE NOTE 1,8
- TUBE PACKAGING OPTION
SEE NOTE 1
- HIGH TEMPERATURE PLASTIC
SEE NOTE 1
- NO OF POSITIONS
SEE NOTE 1
- PIN PLATING
SEE SHEET 2
- BASE PART NO.

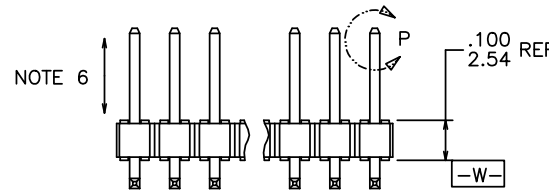


TOP VIEW

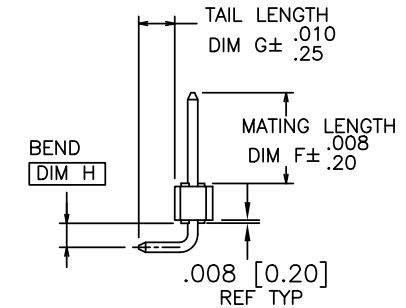
$\varnothing .020/0.51$ (M) U (M) V (S) W
NOTE 4



DETAIL P
TYP BOTH ENDS



SIDE VIEW



END VIEW

68015-X XX-XXX XXX LF

- TAIL LENGTH (EXAMPLE BELOW)
3.0mm=030 12.8mm=128 (SEE NOTE 11 & 12)
- MATING LENGTH (EXAMPLE BELOW)
5.0mm=050 25.5mm=255 (SEE NOTE 11 & 12)
- TOTAL NUMBER OF POSITION
FROM 1 THRU 36 POS. (SEE NOTE 1)
- PIN PLATING (SEE NOTE 13)
1=0.76µm Au
4= PURE TIN
8=0.36µm Au
- BASE PART NO.
SINGLE ROW RIGHT ANGLE

NOTE 6

www.fciconnect.com			surface 6.4 ISO 1302	tolerance std ISO 406 ISO 1101	projection INCH/MM	INCH/MM
TOLERANCES UNLESS OTHERWISE SPECIFIED			ANGULAR	LINEAR	size A4	Scale 1.000
Dr	T.BREWBAKER	01/31/95	0.X	±0.3	ECN N11-0118	Rev. BA
Eng	T.HANNA	01/31/95	0.XX	±0.15		
Chr	T.HANNA	01/31/95	0.XXX	±0.05	Spec ref	
Appr	T.HANNA	01/31/95	Product family BERGSTIK		68015	
rev			title		dwg no	
CR	M06-0346	MHT	BERGSTIK® II HEADER		8	
CS	M08-0154	MHT	.100/2.54cc SR R/A		CUSTOMER	
CT	M08-0169	MHT	catalog no		sheet 1 of 4	
CU	M08-0267	MHT				
CV	M08-0331	MHT				
AY	M09-0105	MHT				
BA	N11-0118	J.Z	2011-04-11			



Copyright FCI.

PIN PLATING CODES:

XXXX-1YY	30u"/0.76u MIN (SEE NOTE 9) OVER 50u"/1.27u MIN Ni
XXXX-2YY	15u"/0.38u MIN (SEE NOTE 9) OVER 50u"/1.27u MIN Ni
XXXX-3YY	50u"/1.27u MIN (SEE NOTE 9) OVER 50u"/1.27u MIN Ni
XXXX-4YY	100u"/2.54u MIN Sn OVER 50u"/1.27u MIN Ni (SEE NOTE 10)
XXXX-4YYHLF	
XXXX-5YY	15u"/0.38u MIN (SEE NOTE 9) OVER 50u"/1.27u MIN Ni
XXXX-6YY	30u"/0.76u MIN (SEE NOTE 9) OVER 50u"/1.27u MIN Ni
XXXX-7YY	30u"/0.76u MIN (SEE NOTE 9) OVER 50u"/1.27u MIN Ni
XXXX-8YY	15u"/0.38u MIN (SEE NOTE 9) OVER 50u"/1.27u MIN Ni
XXXX-9YY	15u"/0.38u MIN (SEE NOTE 9) OVER 50u"/1.27u MIN Ni
XXXX-0YY	30u"/0.76u MIN (SEE NOTE 9) OVER 50u"/1.27u MIN Ni

NOTES

- 1. PART NUMBER OPTIONS:
PIN PLATING CODES (SEE ABOVE)

HIGH TEMP. MATERIAL:
PART NUMBERS WITH AND WITHOUT "H" WILL BE SUPPLIED WITH HIGH TEMPERATURE PLASTIC.

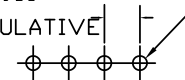
NUMBER OF POSITION:
ANY NUMBER OF POSITIONS FROM 1 THRU 36.
PACKAGING:
PACKAGED IN POLY BAGS.
EIGHT DIGIT PART NUMBERS FOLLOWED BY A "T" ARE PACKAGED IN TUBES. SEE SPECIFIC PART NUMBERS FOR AVAILABILITY.
LEAD FREE:
ADD "HLF" SUFFIX AT THE END OF PART NUMBER FOR LEAD FREE OPTION, NOT AVAILABLE FOR -5YY,-5YYH,-6YY & -6YYH.
- 2. BODY MATERIAL:
MANUFACTURER'S OPTION OF NYLON OR PCT, GLASS FIBER REINFORCED, OR LCP MINERAL FILED FLAME RETARDENT PER UL-94V-0. COLOR: BLACK.

PART NUMBERS WITH AND WITHOUT "H" SUFFIX WILL WITHSTAND EXPOSURE TO 260°C PEAK TEMPERATURE FOR 20 SECONDS IN WAVE SOLDER, INFRA-RED OR VAPOR PHASE SOLDER PROCESS.
- 3. PIN MATERIAL: PHOS-BRONZE.
- 4. MEASURED WITH PART IN RESTRAINED CONDITION.
- 5. TWO SIDES OF PIN TIPS NOT PLATED. TYPICAL BOTH ENDS.
- 6. 2LBS/0.9KG MIN PIN RETENTION IN EITHER DIRECTION.

- 7. MILITARY BERGSTIK HEADER
P/N XXXXX-YYY-MIL
NOT AVAILABLE.
- 8. THESE PRODUCTS MEETS EUROPEAN UNION DIRECTIVES AND OTHER COUNTRY REGULATION AS DESCRIBED IN GS-22-008.
- 9. PLATING OPTIONS:
PERFORMANCE PLATING WILL BE EITHER GOLD OR GXT ON POST OR TAIL, OPTIONALLY (78~295u"/2~7.5u) TIN ON TAIL.
- 10. "THIS PRODUCT HAS 100%% TIN PLATING IN THE INTERFACE AND HAS NOT BEEN TESTED FOR WHISKER GROWTH IN ALL INTERCONNECT ENVIRONMENTS."
- 11. THE OAL DON'T EXCEED 31mm
OAL= MATTING DIM+4.0mm<31mm WHERE THE SUM OF TAIL AND MATTING LENGTH DON'T EXCEED 27mm
- 12. INCREMENTS BY 0.1mm IN LENGTHS ONLY
- 13. FOR SPECIAL PACKAGING REQUEST PLEASE CONTACT PRODUCT MANAGER FOR AVAILABILITY
- 14. BEND DIMENSIONS AT 1.5mm ONLY
- 15. TO DETERMINE DIMENSIONS:
N=NUMBER OF POSITION PER ROW
EXAMPLE: 10 POS. N X .100/2.54

.100±.003 [2.54±.08]
TYP. NON-ACCUMULATIVE

Ø.040±.003 [1.02±.08]
TYP.



RECOMMENDED HOLE PATTERN

www.fciconnect.com			surface ISO 1302 ✓	tolerance std ISO 406 ISO 1101	projection A4	INCH/MM
			TOLERANCES UNLESS OTHERWISE SPECIFIED			
Dr	T.BREWBAKER	01/31/95	ANGULAR	0.X	±0.3	Scale 1.000
Eng	T.HANNA	01/31/95	LINEAR	0.XX	±0.15	ECN N11-0118
Chr	T.HANNA	01/31/95	0° ±2°	0.XXX	±0.05	Spec ref
Appr	T.HANNA	01/31/95	Product family	BERGSTIK		
FCI			title		dwg no	Rev.
			BERGSTIK® II HEADER .100/2.54cc SR R/A		68015	BA
			catalog no		CUSTOMER	sheet 2 of 4



Copyright FCI.

1

2

3

4

PRODUCT NUMBER	MATING LENGTH		TAIL LENGTH		BEND DIM		PACKAGING	LF OPTION
	DIM F	DIM F	DIM G	DIM G	DIM H	DIM H		
	ENGLISH	METRIC	ENGLISH	METRIC	ENGLISH	METRIC		
68015-XY	0.230	5.84	0.090	2.29	0.060	1.52	POLY BAGS/TUBES	NOTE 1,8
68016-XY	0.230	5.84	0.120	3.05	0.060	1.52	POLY BAGS/TUBES	
68023-XY	0.135	3.43	0.305	7.75	0.135	3.43	POLY BAGS	
68417-XY	0.230	5.84	0.390	9.91	0.060	1.52	POLY BAGS	
68423-XY	0.318	8.08	0.120	3.05	0.060	1.52	POLY BAGS/TUBES	
68458-XY	0.318	8.08	0.110	2.79	0.060	1.52	POLY BAGS	
68461-XY	0.400	10.16	0.320	8.13	0.260	6.60	POLY BAGS	
68468-XY	0.230	5.84	0.195	4.95	0.160	4.06	POLY BAGS	
68488-XY	0.230	5.84	0.180	4.57	0.060	1.52	POLY BAGS	
68494-XY	0.400	10.16	0.110	2.79	0.060	1.52	POLY BAGS	
68498-XY	0.230	5.84	0.220	5.59	0.160	4.06	POLY BAGS	
68626-XY	0.230	5.84	0.295	7.49	0.060	1.52	POLY BAGS	
68627-XY	0.120	3.05	0.185	4.70	0.150	3.81	POLY BAGS	
68628-XY	0.230	5.84	0.590	14.99	0.060	1.52	POLY BAGS	
68641-XY	0.230	5.84	0.490	12.45	0.060	1.52	POLY BAGS	
68660-XY	0.110	2.79	0.230	5.84	0.135	3.43	POLY BAGS	
68694-XY	0.600	15.24	0.120	3.05	0.060	1.52	POLY BAGS	
68757-XY	0.350	8.89	0.220	5.59	0.100	2.54	POLY BAGS	
68758-XY	0.275	6.99	0.120	3.05	0.060	1.52	POLY BAGS	
68764-XY	0.100	2.54	0.120	3.05	0.060	1.52	POLY BAGS	
68782-XY	0.318	8.08	0.180	4.57	0.060	1.52	POLY BAGS	
68798-XY	0.110	2.79	0.230	5.84	0.160	4.06	POLY BAGS	
69189-XY	0.310	7.87	0.250	6.35	0.060	1.52	POLY BAGS	
71270-XY	0.600	15.24	0.189	4.80	0.060	1.52	POLY BAGS	
72342-XY	0.120	3.05	0.250	6.35	0.060	1.52	POLY BAGS	
78230-XY	0.310	7.87	0.330	8.38	0.060	1.52	POLY BAGS	
78231-XY	0.310	7.87	0.290	7.37	0.060	1.52	POLY BAGS	NOTE 1,8

www.fciconnect.com			surface ISO 1302	<input checked="" type="checkbox"/>	tolerance std ISO 406 ISO 1101	projection 	INCH/MM 		
			TOLERANCES UNLESS OTHERWISE SPECIFIED						
Dr	T.BREWBAKER	01/31/95	ANGULAR	LINEAR	0.X	±0.3	size A4	Scale 1.000	
Eng	T.HANNA	01/31/95			0.XX	±0.15	ECN N11-0118	Spec ref	
Chr	T.HANNA	01/31/95			0° ±2°	0.XXX			±0.05
Appr	T.HANNA	01/31/95	Product family		BERGSTIK				
	title				BERGSTIK® II HEADER .100/2.54cc SR R/A		dwg no	68015	Rev. BA
				catalog no		CUSTOMER	sheet 3 of 4		

REV F - 2006-04-17

1

2

PDM: Rev:BA

STATUS Released 4 Printed: Apr 20, 2011

1

2

3

4

PRODUCT NUMBER	MATING LENGTH		TAIL LENGTH		BEND DIM		PACKAGING	LF OPTION
	DIM F	DIM F	DIM G	DIM G	DIM H	DIM H		
	ENGLISH	METRIC	ENGLISH	METRIC	ENGLISH	METRIC		
78234-XY	0.230	5.84	0.140	3.56	0.160	4.06	POLY BAGS	NOTE 1,8
78541-XY	0.318	8.08	0.080	2.03	0.060	1.52	POLY BAGS	
78587-XY			UNAVAILABLE					
78938-XY	0.120	3.05	0.120	3.05	0.060	1.52	POLY BAGS	
78955-XY	0.075	1.91	0.090	2.29	0.060	1.52	POLY BAGS	
78978-XY	0.120	3.05	0.318	8.08	0.135	3.43	POLY BAGS	
79409-XY			UNAVAILABLE					
84846-XYH	0.140	3.56	0.290	7.37	0.153	3.89	POLY BAGS	
84917-XYH	0.090	2.29	0.195	4.95	0.190	4.83	POLY BAGS	
84935-XYH	0.450	11.43	0.320	8.13	0.260	6.60	POLY BAGS	
84936-XYH	0.350	8.89	0.120	3.05	0.060	1.52	POLY BAGS	
87532-XYH	0.230	5.84	0.890	22.61	0.060	1.52	POLY BAGS	
88813-XY	0.230	5.84	0.085	2.16	0.060	1.52	POLY BAGS	
92050-XY	0.162	4.11	0.120	3.05	0.060	1.52	POLY BAGS	
92632-XY	0.100	2.54	0.318	8.08	0.060	1.52	POLY BAGS	
92909-XY	0.400	10.16	0.220	5.59	0.060	1.52	POLY BAGS	
94099-XY	0.157	3.99	0.090	2.29	0.060	1.52	POLY BAGS	
94529-XYH	0.120	3.05	0.295	7.49	0.135	3.43	POLY BAGS	
94671-XYH	0.090	2.29	0.085	2.16	0.180	4.57	POLY BAGS	
95653-XYH	0.330	8.38	0.310	7.87	0.160	4.06	POLY BAGS	
95666-XYH	0.230	5.84	0.145	3.68	0.060	1.52	POLY BAGS	
10089061-XY	0.125	3.18	0.318	8.08	0.135	3.43	POLY BAGS	NOTE 1,8

A

B

C

D

A

B

C

D



Copyright FCI.

REV F - 2006-04-17

1

2

3

4

www.fciconnect.com			surface ISO 1302	<input checked="" type="checkbox"/>	tolerance std ISO 406 ISO 1101	projection 	INCH/MM ←→
			TOLERANCES UNLESS OTHERWISE SPECIFIED				
Dr	T.BREWBAKER	01/31/95	ANGULAR	LINEAR	0.X	±0.3	size A4
Eng	T.HANNA	01/31/95			0.XX	±0.15	Scale 1.000
Chr	T.HANNA	01/31/95			0.XXX	±0.05	ECN N11-0118
Appr	T.HANNA	01/31/95	Product family BERGSTIK		Spec ref		
	title BERGSTIK® II HEADER .100/2.54cc SR R/A				dwg no 68015		Rev. BA
catalog no				CUSTOMER		sheet 4 of 4	

PDM: Rev:BA

STATUS Released 4 Printed: Apr 20, 2011