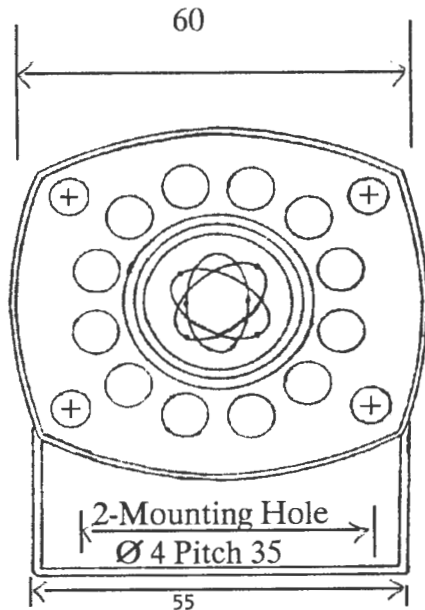
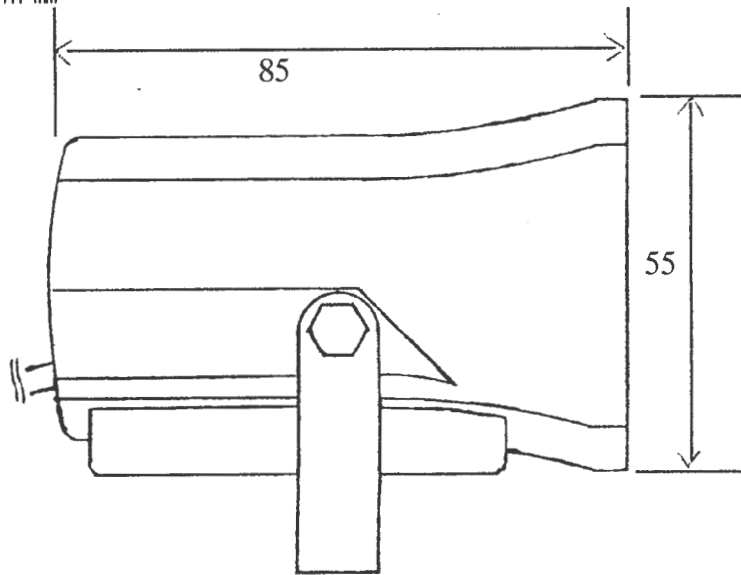


High Power Piezo Sounder

BPS6055L-12-C Series

SPECIFICATIONS

Dimensions in mm



Model No.	BPS6055L-12-C
Rated Voltage (VDC)	12
Operating Voltage (VDC)	6 - 12
Current (mA)	350
Sound Output at 1M (dB)	115
Frequency Range (Hz)	2500 - 3000
Operating Temperature (C)	-20 to +70
Storage Temperature (C)	-20 to +110

<p>INTERVOX International © INTERNATIONAL COMPONENTS CORPORATION 215 MCCORMICK DRIVE, BOHEMIA, NY 11716 FAX: 631-952-9595 FAX: 631-952-9597</p>		
<p>Title: High Power Piezo Sounder</p>		
<p>Intervox Model # BPS6055L-12-C</p>		<p>Rev A</p>
<p>Scale:</p>	<p>Date: 12/ 7/92</p>	<p>Sheet 1 of 1</p>