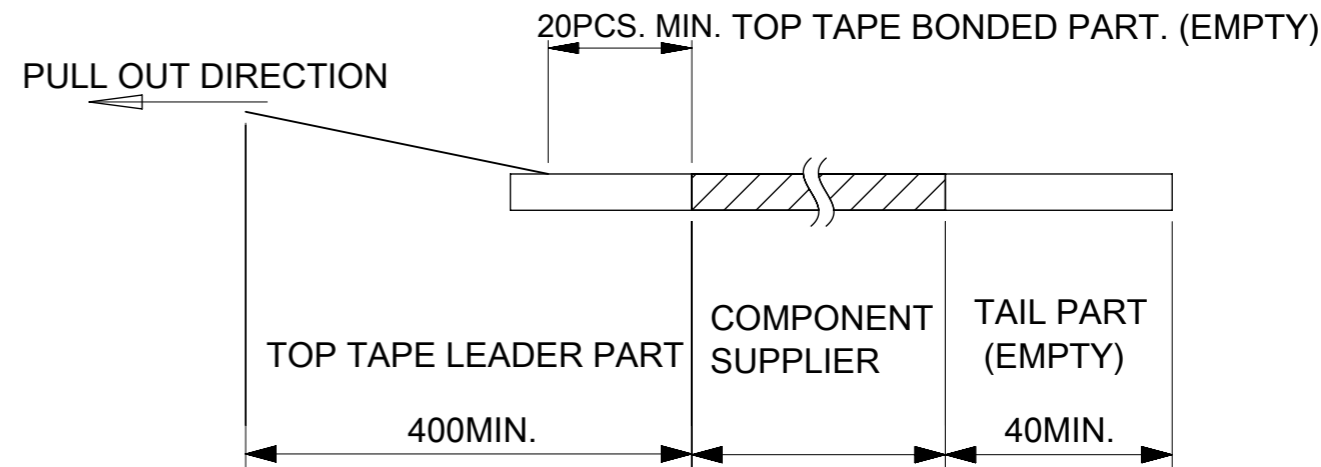
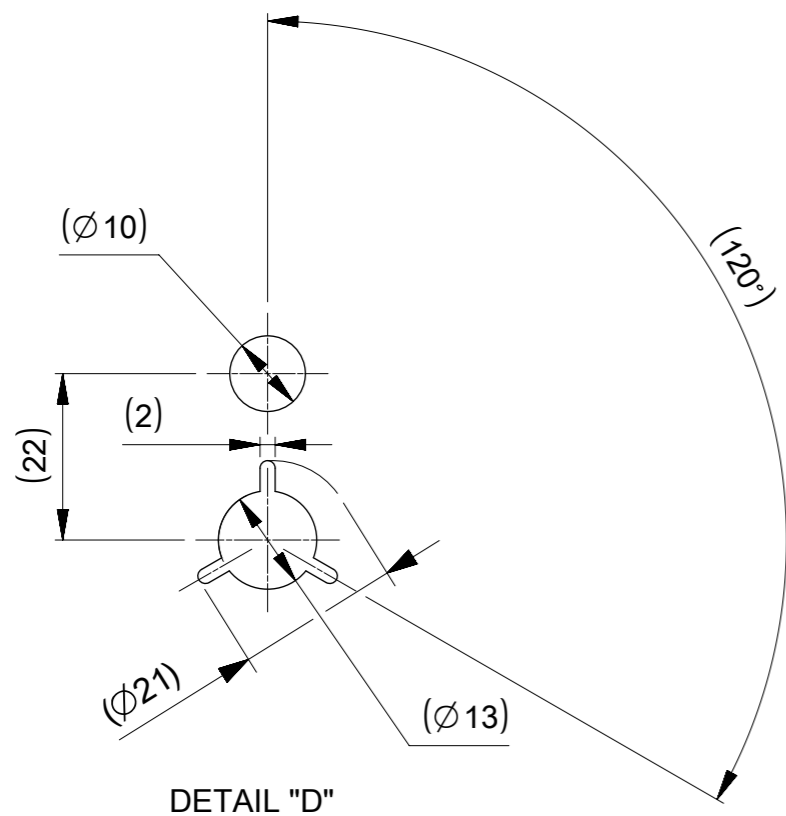
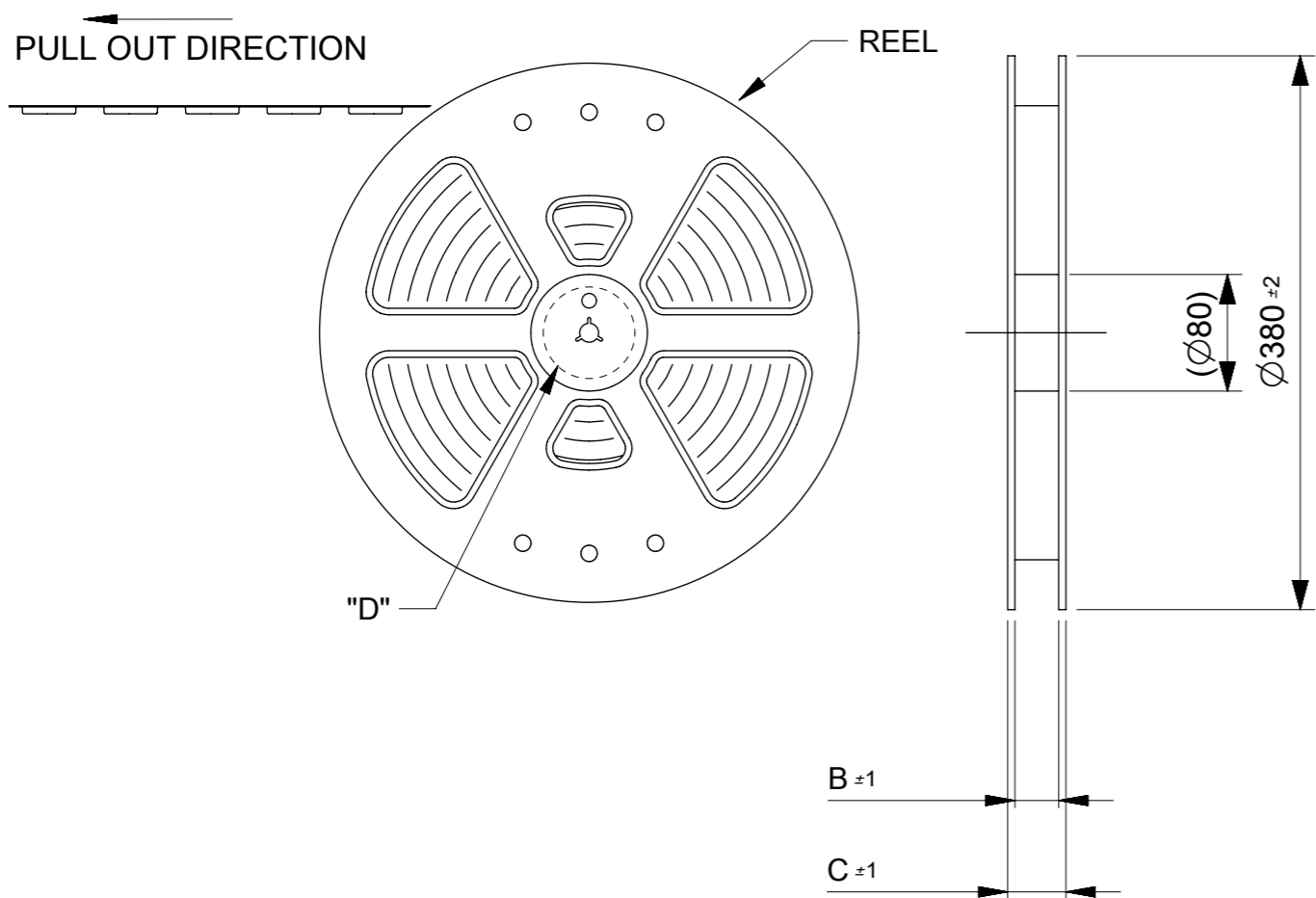


NOTES

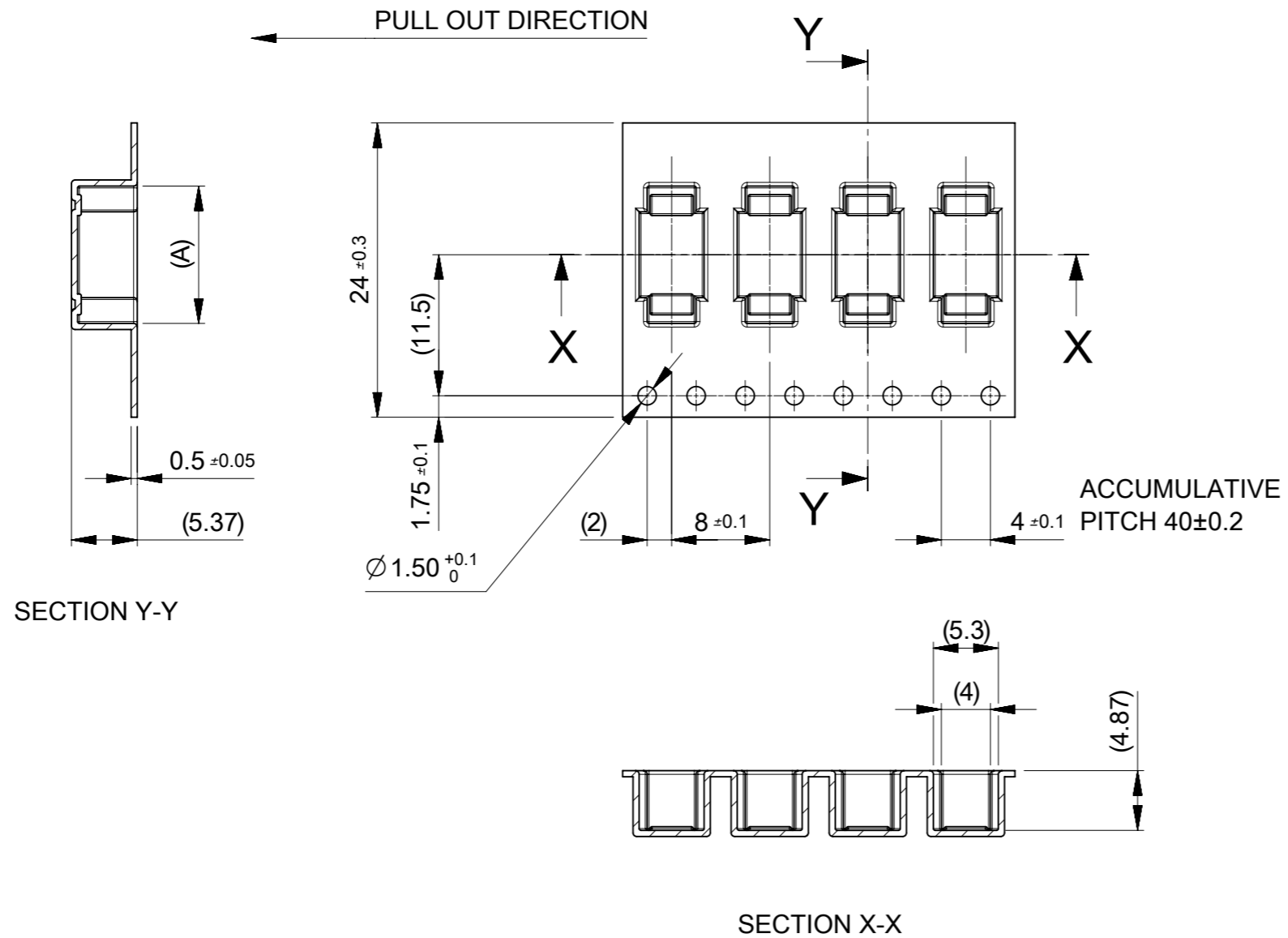
1. DETAIL DIMENSION, SEE PRODUCT DRAWING.
2. NUMBER OF CONNECTORS : 2200 PCS/REEL.  
NUMBER OF DELIVERY UNIT : 20~50 CKT. 6600 PCS/CARTON.  
60 CKT. 4400 PCS/CARTON.
3. LEAD TAPE LENGTH.



4. TOP TAPE PEEL FORCE IS DEFINED BY IEC60286-3
5. MATERIAL  
CARRER TAPE :POLYSTYRENE  
TOP TAPE :PET , OTHER  
REEL :POLYSTYRENE(PS)(RECYCLE MATERIAL CONTAINED)
6. ELV AND RoHS COMPLIANT



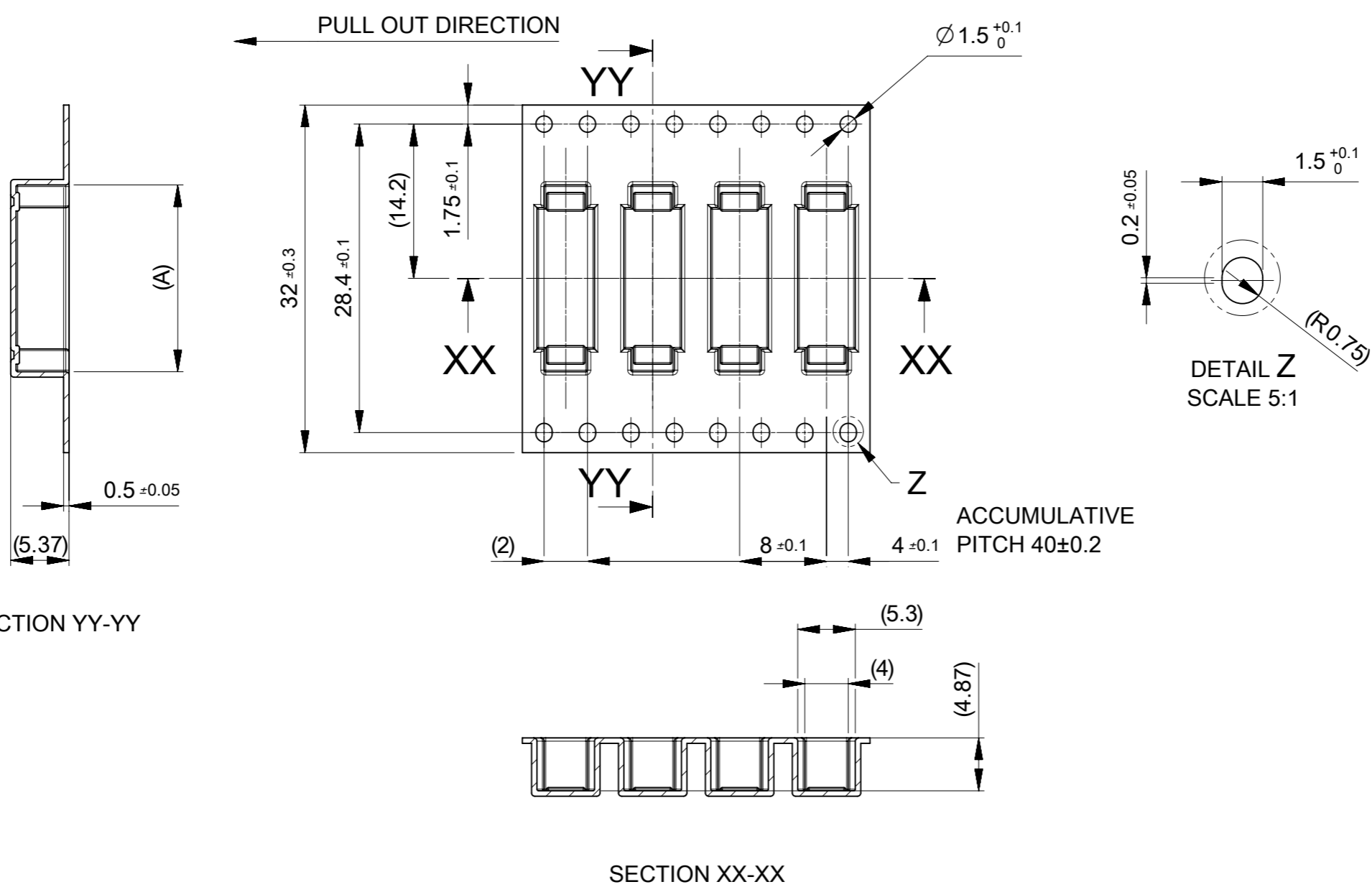
THIS DRAWING CONTAINS INFORMATION THAT IS PROPRIETARY TO MOLEX ELECTRONIC TECHNOLOGIES, LLC AND SHOULD NOT BE USED WITHOUT WRITTEN PERMISSION											
DIMENSION UNITS	SCALE	CURRENT REV DESC:					<b>molex</b>				
mm	2:1										
GENERAL TOLERANCES (UNLESS SPECIFIED)		EC NO: 623405					0.4 FLOATING BB H=5 PLUG EMBOSSTP PKG.				
ANGULAR TOL	±	DRWN: JFURUKAWA 2019/09/02					PRODUCT CUSTOMER DRAWING				
4 PLACES	±	CHK'D: YNAITO 2019/09/18					DOCUMENT NUMBER				
3 PLACES	±	APPR: RTAKEUCHI 2019/09/18					2039560000				
2 PLACES	±	INITIAL REVISION:					DOC TYPE		DOC PART		REVISION
1 PLACE	±	DRWN: YSEKI01 2019/07/10					PSD		002		B
0 PLACES	±	APPR: RTAKEUCHI 2019/07/16					MATERIAL NUMBER		CUSTOMER		SHEET NUMBER
DRAFT WHERE APPLICABLE MUST REMAIN WITHIN DIMENSIONS		THIRD ANGLE PROJECTION		DRAWING	SERIES	MATERIAL NUMBER	CUSTOMER		SHEET NUMBER		
				A3-SIZE	203956	SEE CHART	GENERAL		1 OF 3		



24	29.4	25.4	15.2	2039560502	2039560503	○	---	50
			13.2	2039560402	2039560403	○	---	40
			11.2	2039560302	2039560303	○	---	30
			9.2	2039560202	2039560203	○	---	20
キャリアテープ幅 CARRIER TAPE WIDTH	C	B	(A)	WITHOUT COVER TAPE	WITH COVER TAPE	HIGH VOL. TOOL	LOW VOL. TOOL	CIRCUIT
				MATERIAL No.		SAMPLE PREPARATION		

THIS DRAWING CONTAINS INFORMATION THAT IS PROPRIETARY TO MOLEX ELECTRONIC TECHNOLOGIES, LLC AND SHOULD NOT BE USED WITHOUT WRITTEN PERMISSION

DIMENSION UNITS mm	SCALE 1:1	CURRENT REV DESC:			<b>molex</b>		
GENERAL TOLERANCES (UNLESS SPECIFIED)		EC NO: 623405					
ANGULAR TOL ± °		DRWN: JFURUKAWA 2019/09/02			PRODUCT CUSTOMER DRAWING		
4 PLACES ±		CHK'D: YNAITO 2019/09/18			DOCUMENT NUMBER		
3 PLACES ±		APPR: RTAKEUCHI 2019/09/18			2039560000		
2 PLACES ±		INITIAL REVISION:			DOC TYPE		
1 PLACE ±		DRWN: YSEKI01 2019/07/10			PSD		
0 PLACES ±		APPR: RTAKEUCHI 2019/07/16			DOC PART		
DRAFT WHERE APPLICABLE MUST REMAIN WITHIN DIMENSIONS		THIRD ANGLE PROJECTION		DRAWING		REVISION	
		A3-SIZE		SERIES		SHEET NUMBER	
				203956		2 OF 3	
				MATERIAL NUMBER		CUSTOMER	
				SEE CHART		GENERAL	



SECTION YY-YY

SECTION XX-XX

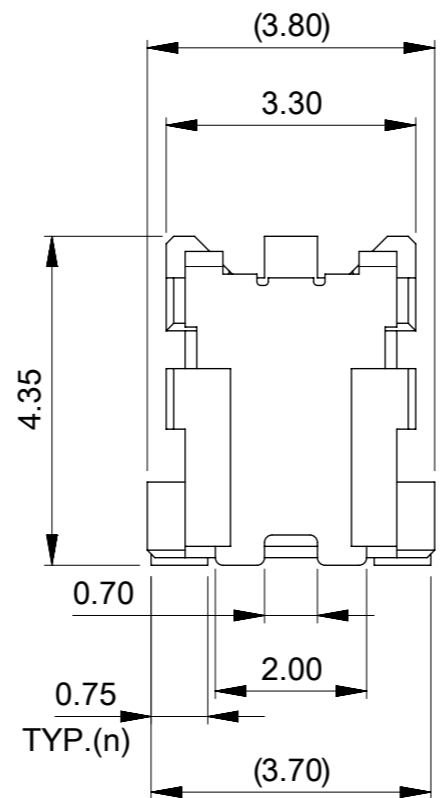
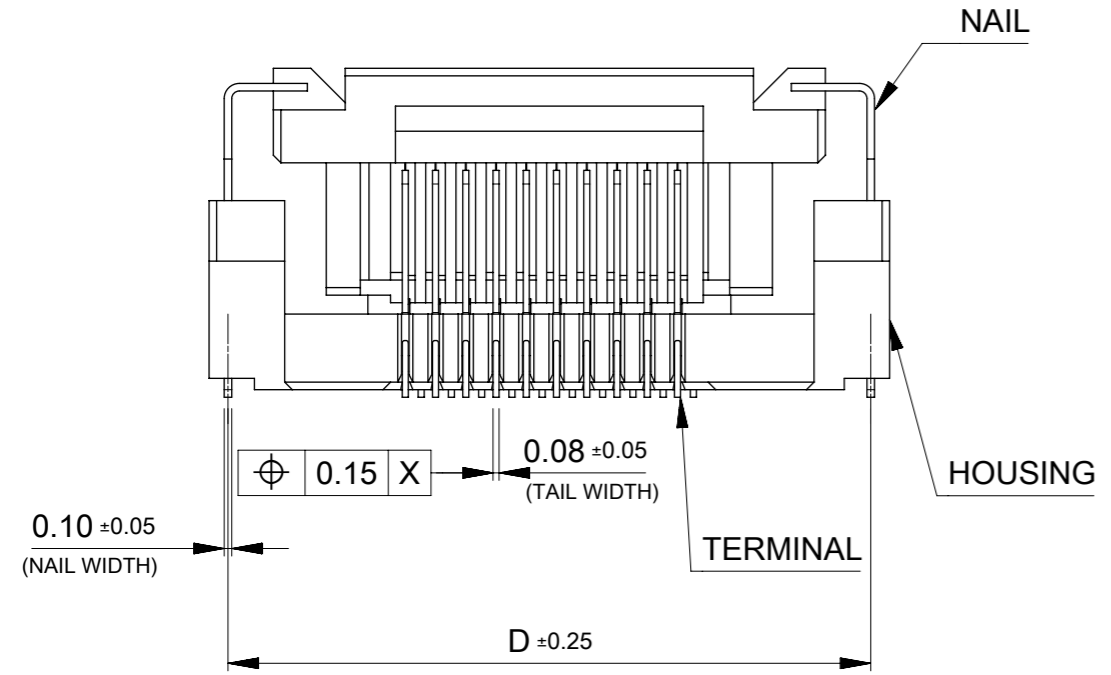
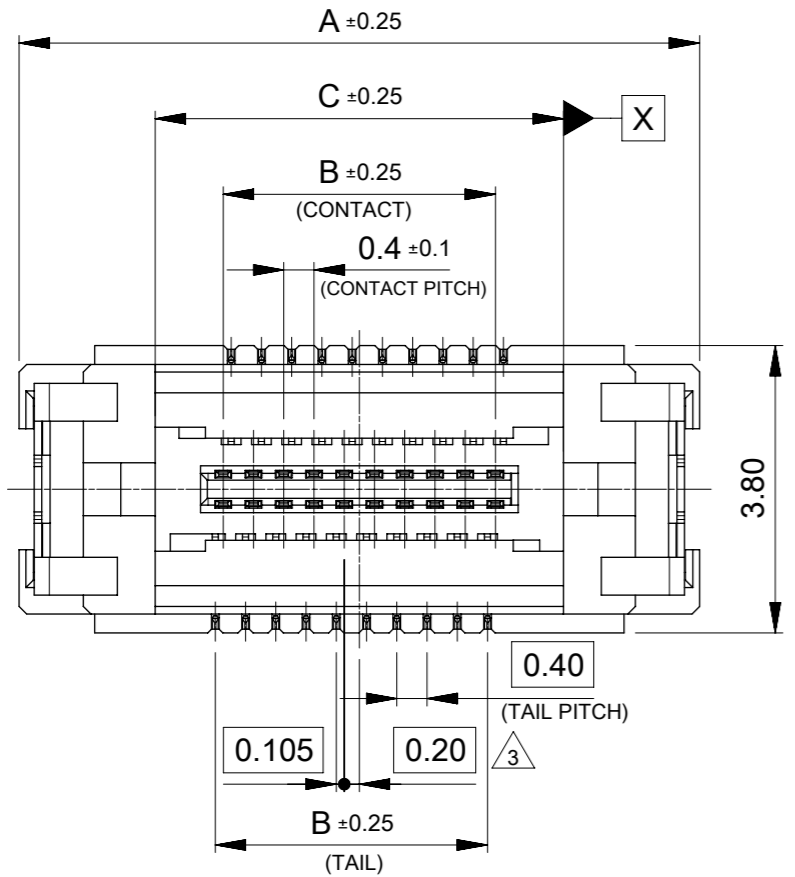
DETAIL Z  
SCALE 5:1

ACCUMULATIVE  
PITCH 40 ±0.2

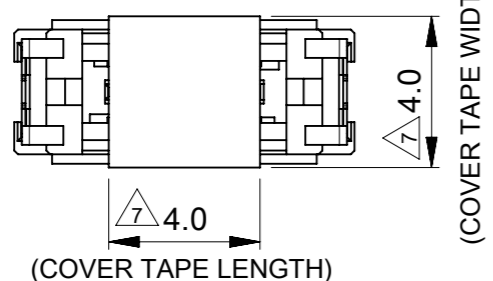
32	37.4	33.4	17.2	2039560602	2039560603	○	---	60
キャリアテープ幅 CARRIER TAPE WIDTH	C	B	(A)	WITHOUT COVER TAPE	WITH COVER TAPE	HIGH VOL. TOOL	LOW VOL. TOOL	CIRCUIT
				MATERIAL No.		SAMPLE PREPARATION		

THIS DRAWING CONTAINS INFORMATION THAT IS PROPRIETARY TO MOLEX ELECTRONIC TECHNOLOGIES, LLC AND SHOULD NOT BE USED WITHOUT WRITTEN PERMISSION

DIMENSION UNITS mm	SCALE 2:1	CURRENT REV DESC:			<b>molex</b>		
GENERAL TOLERANCES (UNLESS SPECIFIED)		EC NO: 623405					
ANGULAR TOL ± °		DRWN: JFURUKAWA 2019/09/02			PRODUCT CUSTOMER DRAWING		
4 PLACES ±		CHK'D: YNAITO 2019/09/18			DOCUMENT NUMBER		
3 PLACES ±		APPR: RTAKEUCHI 2019/09/18			2039560000		
2 PLACES ±		INITIAL REVISION:			DOC TYPE		
1 PLACE ±		DRWN: YSEKI01 2019/07/10			PSD		
0 PLACES ±		APPR: RTAKEUCHI 2019/07/16			DOC PART		
DRAFT WHERE APPLICABLE MUST REMAIN WITHIN DIMENSIONS		THIRD ANGLE PROJECTION	DRAWING	SERIES	MATERIAL NUMBER	CUSTOMER	REVISION
			A3-SIZE	203956	SEE CHART	GENERAL	B
							SHEET NUMBER
							3 OF 3



**COVER TAPE LAYOUT**



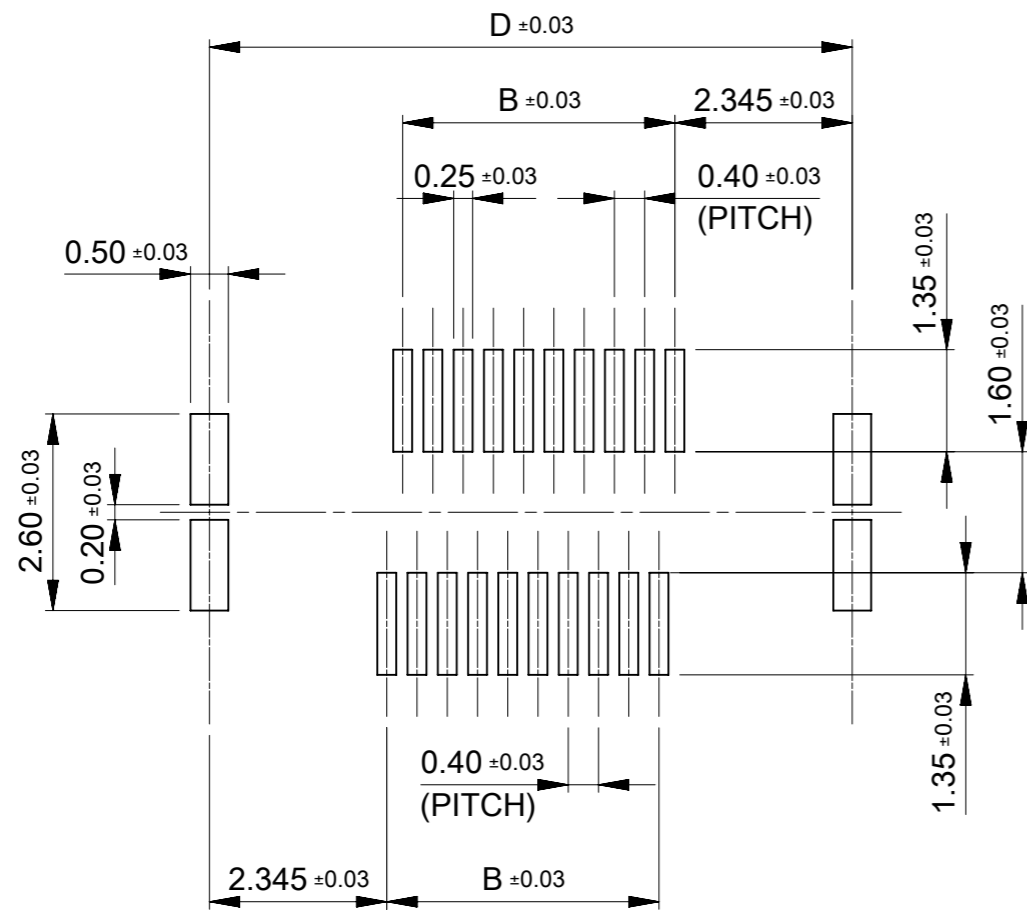
- 1 MATERIAL  
 WAFER: LIQUID CRYSTAL POLYMER UL94V-0 (COLOR : BLACK)  
 TERMINAL: COPPER ALLOY  
 FITTING NAIL: COPPER ALLOY  
 COVER TAPE: POLYIMIDE
- 2 PLATING  
 TERMINAL :  
 CONTACT AREA: GOLD PLATING.  
 SOLDER TAIL AREA: GOLD PLATING.  
 UNDERPLATE: NICKEL OVERALL.  
 FITTING NAIL:  
 SURFACE: TIN OVERALL  
 UNDERPLATE: NICKEL OVERALL.
- △ 3 APPLY FOR (CIRCUIT/2)=EVEN.
- 4 MATE WITH :203955\*\*\*\*
- 5 TAIL COPLANARITY TO BE 0.1 MAXIMUM.
- 6 ELV and RoHS COMPLIANT.
- △ 7 ALL CIRCUIT IS COMMON LENGTH.

16.5	13.4	11.6	17	2039560602	2039560603	○	---	60
14.5	11.4	9.6	15	2039560502	2039560503	○	---	50
12.5	9.4	7.6	13	2039560402	2039560403	○	---	40
10.5	7.4	5.6	11	2039560302	2039560303	○	---	30
8.5	5.4	3.6	9	2039560202	2039560203	○	---	20
D	C	B	A	WITHOUT COVER TAPE	WITH COVER TAPE	HIGH VOL. TOOL	LOW VOL. TOOL	CIRCUIT
				EMBOSSED TAPE PACKAGE ORDER NO.				SAMPLE PREPARATION ○ : TOOLED △ : WORK IN PROCESS ---: TOOLING TO BE CONFIRMED

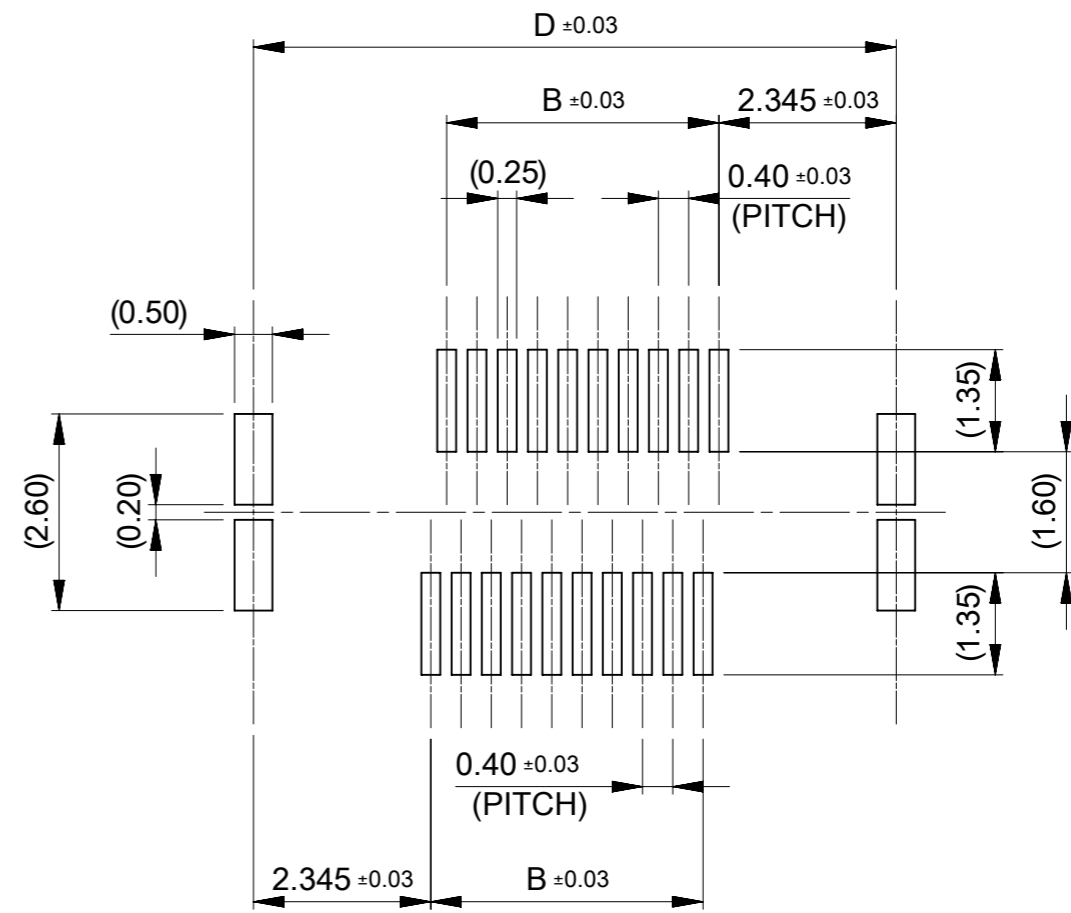
CONNECTOR SERIES NO. : 2039561\*\*1 (WITH COVER TAPE)  
 2039561\*\*2 (WITHOUT COVER TAPE)

THIS DRAWING CONTAINS INFORMATION THAT IS PROPRIETARY TO MOLEX ELECTRONIC TECHNOLOGIES, LLC AND SHOULD NOT BE USED WITHOUT WRITTEN PERMISSION

DIMENSION UNITS <b>mm</b>	SCALE <b>10:1</b>	CURRENT REV DESC:		<b>molex</b>				
GENERAL TOLERANCES (UNLESS SPECIFIED)		EC NO: 694599						0.4 FLOATING BB CONN.H=5 PLUG ASSY
ANGULAR TOL ± 1.0°	4 PLACES ± 0.2	DRWN: JFURUKAWA 2022/02/04		PRODUCT CUSTOMER DRAWING				
3 PLACES ± 0.2	2 PLACES ± 0.2	CHK'D: YMATSUMOTO 2022/02/09		DOCUMENT NUMBER				
1 PLACE ± 0.2	0 PLACES ± 0.2	APPR: SHOSHIKAWA 2022/02/09		2039561000-SD		DOC TYPE	DOC PART	REVISION
DRAFT WHERE APPLICABLE MUST REMAIN WITHIN DIMENSIONS		INITIAL REVISION:		2019/07/30		PSD	000	D
THIRD ANGLE PROJECTION		DRWN: YSEKI01 2019/08/01		2019/08/01		SHEET NUMBER		
DRAWING		APPR: RTAKEUCHI		A3-SIZE		1 OF 2		
SERIES		MATERIAL NUMBER		CUSTOMER		GENERAL		
203956		GENERAL		GENERAL		1 OF 2		



RECOMMENDED P.W.BOARD PATTERN LAYOUT(REFERENCE)



RECOMMENDED METAL MASK LAYOUT(REFERENCE)

RECOMMENDED THICKNESS OF METAL MASK : t=0.1mm

RECOMMENDED OPEN APERTURE RATIO OF METAL MASK : 100%

THIS DRAWING CONTAINS INFORMATION THAT IS PROPRIETARY TO MOLEX ELECTRONIC TECHNOLOGIES, LLC AND SHOULD NOT BE USED WITHOUT WRITTEN PERMISSION										
DIMENSION UNITS	SCALE	CURRENT REV DESC:					<b>molex</b>			
mm	10:1									
GENERAL TOLERANCES (UNLESS SPECIFIED)							0.4 FLOATING BB CONN.H=5 PLUG ASSY			
ANGULAR TOL	± 1.0 °						PRODUCT CUSTOMER DRAWING			
4 PLACES	± 0.2	EC NO: 694599				DOCUMENT NUMBER				
3 PLACES	± 0.2	DRWN: JFURUKAWA	2022/02/04			2039561000-SD		DOC TYPE	DOC PART	REVISION
2 PLACES	± 0.2	CHK'D: YMATSUMOTO	2022/02/09					PSD	000	D
1 PLACE	± 0.2	APPR: SHOSHIKAWA	2022/02/09							
0 PLACES	± 0.2	INITIAL REVISION:								
DRAFT WHERE APPLICABLE MUST REMAIN WITHIN DIMENSIONS		THIRD ANGLE PROJECTION	DRAWING	SERIES	MATERIAL NUMBER	CUSTOMER	SHEET NUMBER			
			A3-SIZE	203956		GENERAL	2 OF 2			