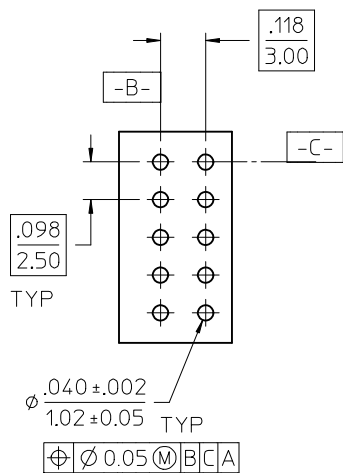
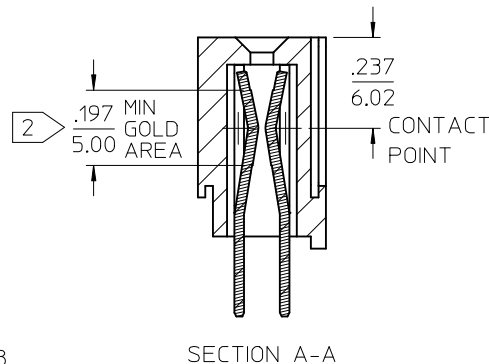
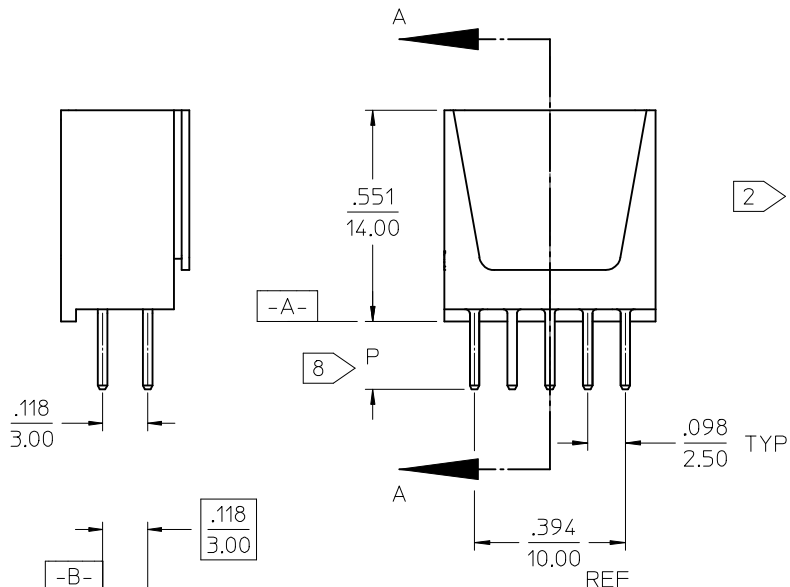


NOTES:

1. HOUSING MAT'L: LCP, GLASS FILLED, UL 94V-0, BLACK
- 2 CONTACT MAT'L: COPPER ALLOY
FINISH: SELECT GOLD - 30 MI MIN
SELECT TIN - 150 MI MIN
BOTH OVER NICKEL - 50 MI MIN
GOLD TO BE SPECIFIED THK IN THIS AREA
3. PRODUCT SPECIFICATION: PS-45424-001
4. PACKAGING SPECIFICATION: PK-45483-001
5. THIS MODULE INTERLOCKS WITH ALL STANDARD MOLEX POWER DOCK MODULES.
6. DATUM -A- IS THE CONNECTOR MOUNTING SURFACE.
7. THE PRIMARY SHIPPING CARTON WILL BE LABELED "COMPLIANT TO RoHS DIRECTIVE 2000/95/EC AND ELV ANNEX II OF DIRECTIVE 2000/53/EC". CARTONS WITHOUT THIS LABEL MAY CONTAIN PRODUCT WITH TIN/LEAD PLATING.
- 8 PC TAILS MAY BE BLUNT CUT TO LENGTH.

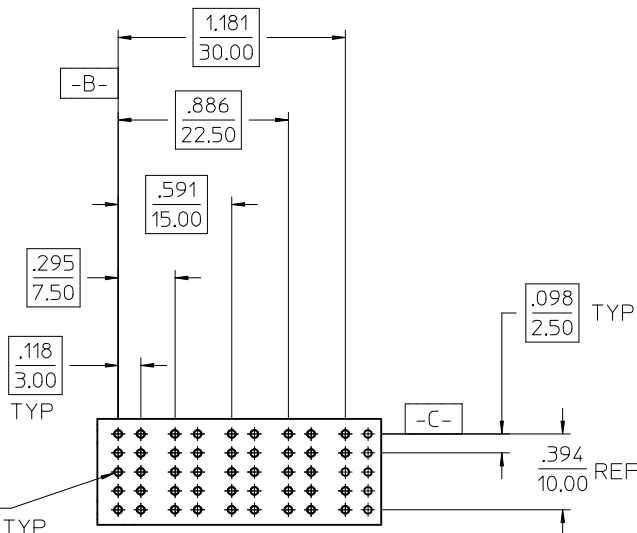
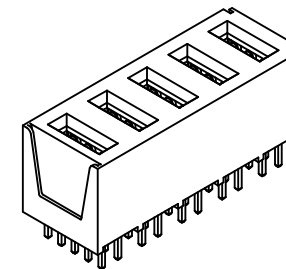
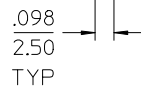
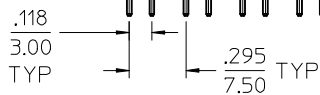
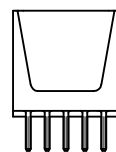
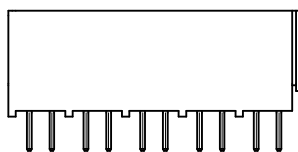
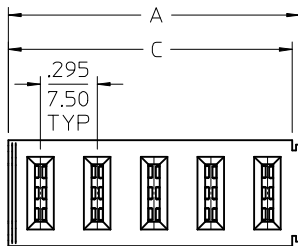


PCB LAYOUT: COMPONENT SIDE

MATERIAL NO:	P	PCB THK
45500-0001	.177 4.50	.125 3.18
45500-0002	.143 3.60	.093 2.36
45500-0003	.115 2.92	.062 1.57

EC NO: UCP2005-1042 DRWN: KSAMIEC 2005/03/21 CHKD: 2005/03/21 APPR: YMARGULI 2005/03/24	DESCRIPTION REV	GENERAL TOLERANCES (UNLESS SPECIFIED)		DIMENSION STYLE IN/MM		SCALE 2:1	DESIGN UNITS METRIC	THIRD ANGLE PROJECTION	
		4 PLACES ± --- ± --- 3 PLACES ± --- ± --- 2 PLACES ± 0.25 ± --- 1 PLACE ± 0.50 ± --- ANGULAR ± 1/2°	mm INCH	DRAWN BY KSAMIEC	DATE 2003/02/06	TITLE POWER DOCK MODULE POWER SOCKET 250 V VERICAL SOLDER TAIL			
DRAFT WHERE APPLICABLE MUST REMAIN WITHIN DIMENSIONS		PD100		MOLEX INCORPORATED				DOCUMENT NO. SD-45500-001	SHEET NO. 1 OF 2
SIZE A		THIS DRAWING CONTAINS INFORMATION THAT IS PROPRIETARY TO MOLEX INCORPORATED AND SHOULD NOT BE USED WITHOUT WRITTEN PERMISSION							

CKTS	A	C
2	.630 16.00	.590 15.00
3	.925 23.50	.886 22.50
4	1.220 31.00	1.181 30.00
5	1.516 38.50	1.476 37.50



⊕ ∅ 0.05 (M) CBA

PCB LAYOUT: COMPONENT SIDE

CKT	MATERIAL No	P	PCB THK
2	45500-2001	.177 4.50	.125 3.18
3	45500-3001		
4	45500-4001		
5	45500-5001	.143 3.60	.093 2.36
2	45500-2002		
3	45500-3002		
4	45500-4002	.115 2.92	.062 1.57
5	45500-5002		
2	45500-2003		
3	45500-3003	.115 2.92	.062 1.57
4	45500-4003		
5	45500-5003		

EC NO: UCP2005-1042	2005/03/21	DESCRIPTION
DRWN:KSAMIEC	2005/03/21	
CHKD:	2005/03/21	
APPR:YMARGULI	2005/03/24	
D	REV	

GENERAL TOLERANCES (UNLESS SPECIFIED)	
	INCH
4 PLACES	± .005
3 PLACES	± .005
2 PLACES	± 0.25
1 PLACE	± 0.50
ANGULAR ± 1/2°	
DRAFT WHERE APPLICABLE MUST REMAIN WITHIN DIMENSIONS	

DIMENSION STYLE	
IN/MM	
DRAWN BY	DATE
KSAMIEC	2003/02/06
CHECKED BY	DATE
MARGULIS	2003/02/06
APPROVED BY	DATE
MARGULIS	2003/02/06
MATERIAL NO.	

SCALE	DESIGN UNITS	THIRD ANGLE PROJECTION
1:1	METRIC	⊙
TITLE		
POWER DOCK MODULE POWER SOCKET 250 V VERTICAL SOLDER TAIL		
molex MOLEX INCORPORATED		
DOCUMENT NO.		SHEET NO.
SD-45500-001		2
THIS DRAWING CONTAINS INFORMATION THAT IS PROPRIETARY TO MOLEX INCORPORATED AND SHOULD NOT BE USED WITHOUT WRITTEN PERMISSION		