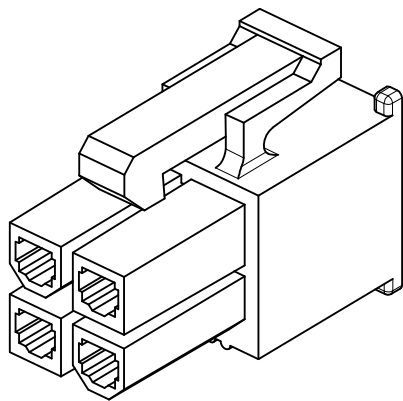
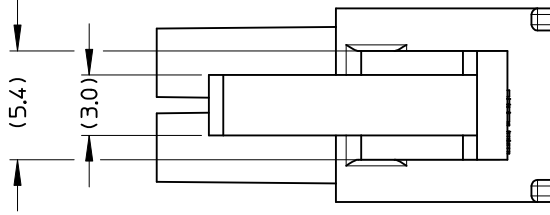
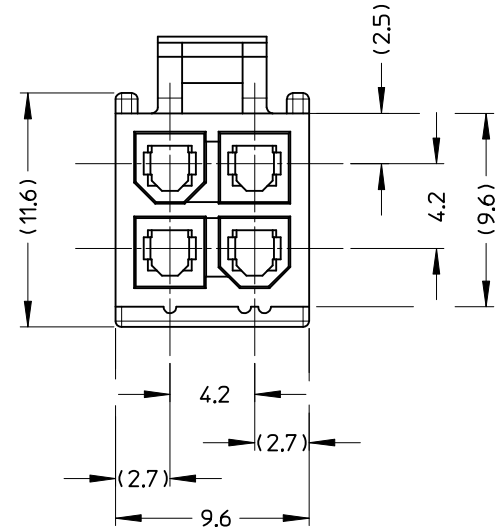
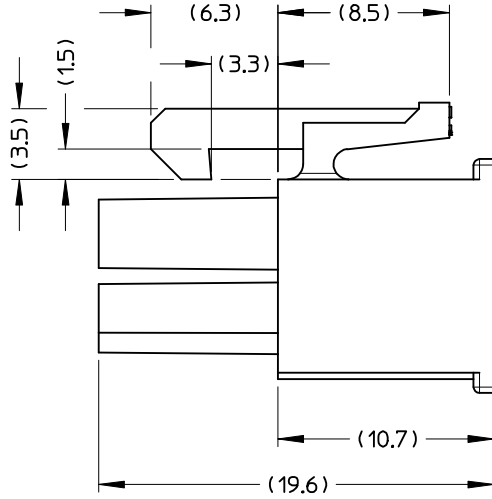


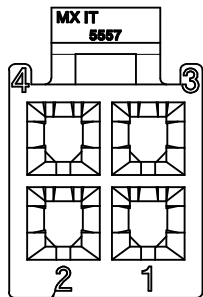
CIRCUIT NO. _____



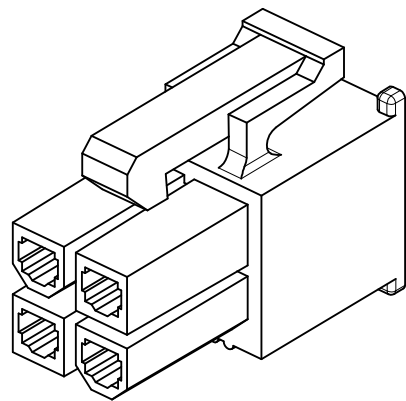
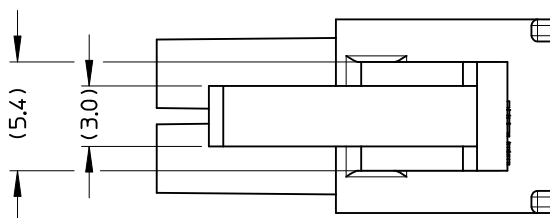
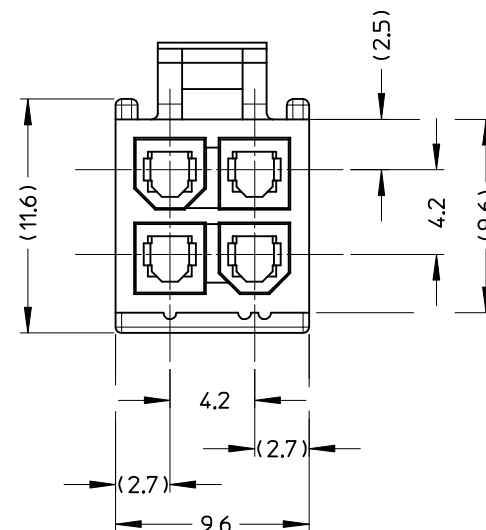
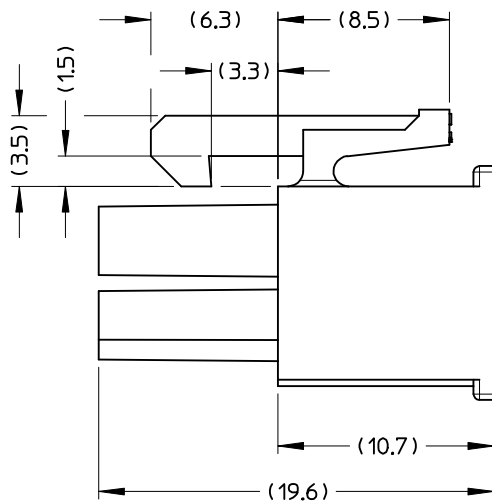
NOTES:

- 1) MATERIAL: PA46 UL 94 V2
- 2) COLOR: BLACK
- 3) ACCEPTS TERMINALS 5556 SERIES
- 4) MATES WITH 5559, 5566, 5569, 501566 SERIES
- 5) REFERENCE SPECIFICATION: PS-5557-003
- 6) THE HOUSING SHALL WITHSTAND 1000 HOURS @ 105°C WITHOUT LOOSING ITS FUNCTIONALITY
- 7) DIMENSIONS BETWEEN BRACKETS ARE FOR REFERENCE ONLY
- 8) PACKAGING: PLASTIC BAGS IN CARTON BOXES (S.P.Q.: 10000 PCS/BOX)
 Plastic bags are sealed and contain water for part moisturizing (according to AS-45499-001 norm).
 Customer shall moisturize parts (according to AS-45499-001 norm) in case partial bags are re-sealed at their site.

EC NO: Z2018-0006 DRWN:LSANTISS 2017/08/02 CHKD:LSANTISS 2017/08/03 APPR:PZANGIROLAMI 2017/08/03	QUALITY SYMBOLS	GENERAL TOLERANCES (UNLESS SPECIFIED)		DIMENSION STYLE MM ONLY		SCALE 4:1	DESIGN UNITS METRIC	FIRST ANGLE PROJECTION	
	▼=0 □=0	mm INCH 4 PLACES ± --- ± --- 3 PLACES ± --- ± --- 2 PLACES ± --- ± --- 1 PLACE ± 0.2 ± --- ANGULAR ± 3 °	DRAWN BY SBARBIERI CHECKED BY RSANDANO APPROVED BY FBISELLO	DATE 2005/12/20 DATE 2005/12/20 DATE 2005/12/20	TITLE MINI-FIT RECEPTACLE 4 CKT FOR HIGH TEMPERATURE		MOLEX INCORPORATED DOCUMENT NO. SD-94557-001		SHEET NO. 1 OF 1
2	REV	DRAFT WHERE APPLICABLE MUST REMAIN WITHIN DIMENSIONS		SIZE A3	THIS DRAWING CONTAINS INFORMATION THAT IS PROPRIETARY TO MOLEX INCORPORATED AND SHOULD NOT BE USED WITHOUT WRITTEN PERMISSION				



CIRCUIT NO.



NOTES:

- 1) MATERIAL: PA46 UL 94 V2
- 2) COLOR: BLACK
- 3) ACCEPTS TERMINALS 5556 SERIES
- 4) MATES WITH 5559, 5566, 5569, 501566 SERIES
- 5) REFERENCE SPECIFICATION: PS-5557-003
- 6) THE HOUSING SHALL WITHSTAND 1000 HOURS @ 105°C WITHOUT LOOSING ITS FUNCTIONALITY
- 7) DIMENSIONS BETWEEN BRACKETS ARE FOR REFERENCE ONLY
- 8) PACKAGING: PLASTIC BAGS IN CARTON BOXES (S.P.Q.: 10000 PCS/BOX)
 Plastic bags are sealed and contain water for part moisturizing (according to AS-45499-001 norm).
 Customer shall moisturize parts (according to AS-45499-001 norm) in case partial bags are re-sealed at their site.

EC NO: Z2018-0006 DRWN:LSANTISS 2017/08/02 CHKD:LSANTISS 2017/08/03 APPR:PZANGIROLAMI 2017/08/03	QUALITY SYMBOLS	GENERAL TOLERANCES (UNLESS SPECIFIED)		DIMENSION STYLE MM ONLY		SCALE 4:1	DESIGN UNITS METRIC	FIRST ANGLE PROJECTION
	▽=0	mm	INCH	DRAWN BY	DATE	TITLE		
	∇=0	4 PLACES ± ---	± ---	SBARBIERI	2005/12/20	MINI-FIT RECEPTACLE		
		3 PLACES ± ---	± ---	CHECKED BY	DATE	4 CKT		
	2 PLACES ± ---	± ---	RSANDANO	2005/12/20	FOR HIGH TEMPERATURE			
	1 PLACE ± 0.2	± ---	APPROVED BY	DATE	MOLEX INCORPORATED			
		ANGULAR ± 3 °		FBISELLO	2005/12/20	DOCUMENT NO.		SHEET NO.
		DRAFT WHERE APPLICABLE MUST REMAIN WITHIN DIMENSIONS		MATERIAL NO. 94557-9004		SD-94557-001		1 OF 1
				SIZE A3	THIS DRAWING CONTAINS INFORMATION THAT IS PROPRIETARY TO MOLEX INCORPORATED AND SHOULD NOT BE USED WITHOUT WRITTEN PERMISSION			