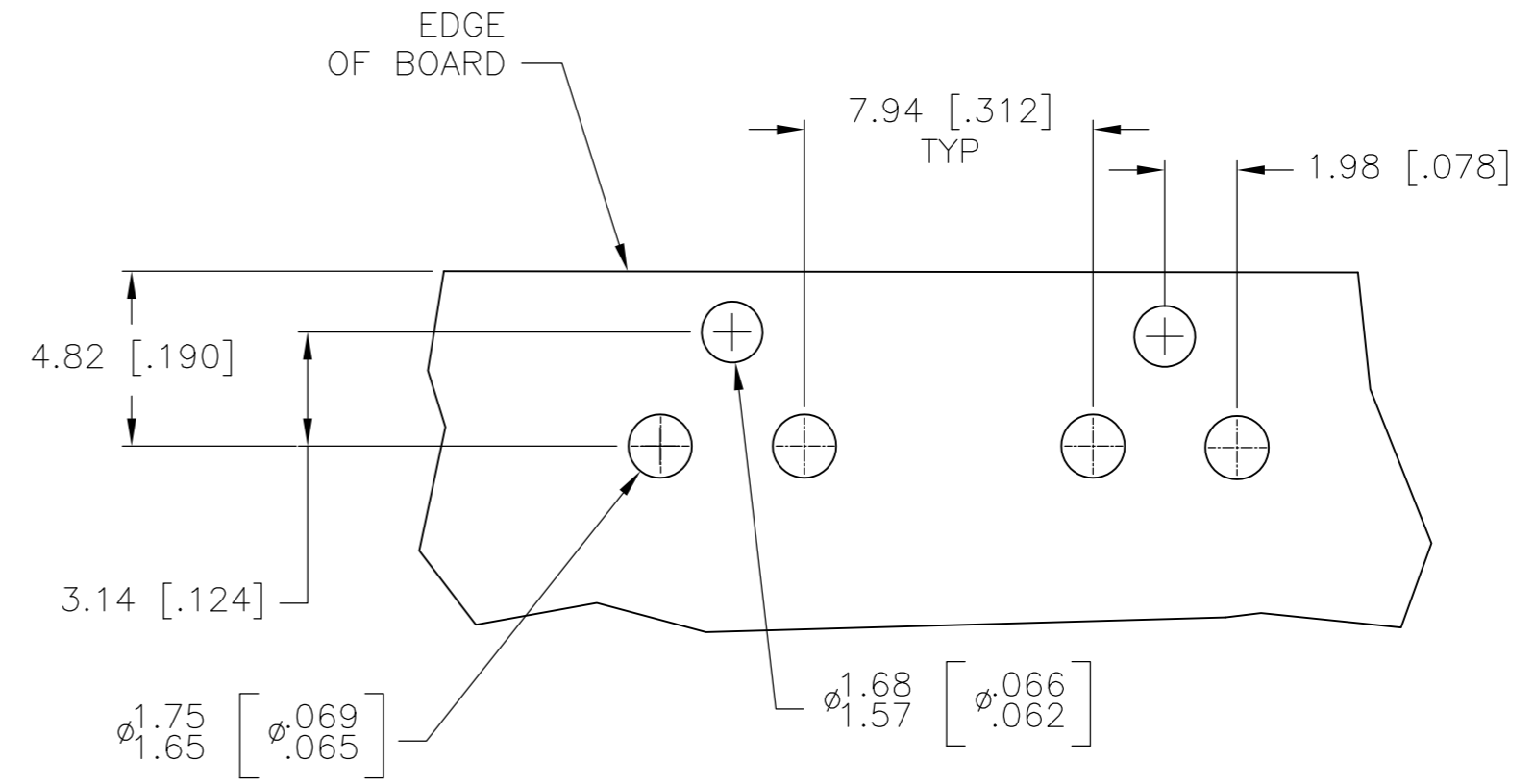
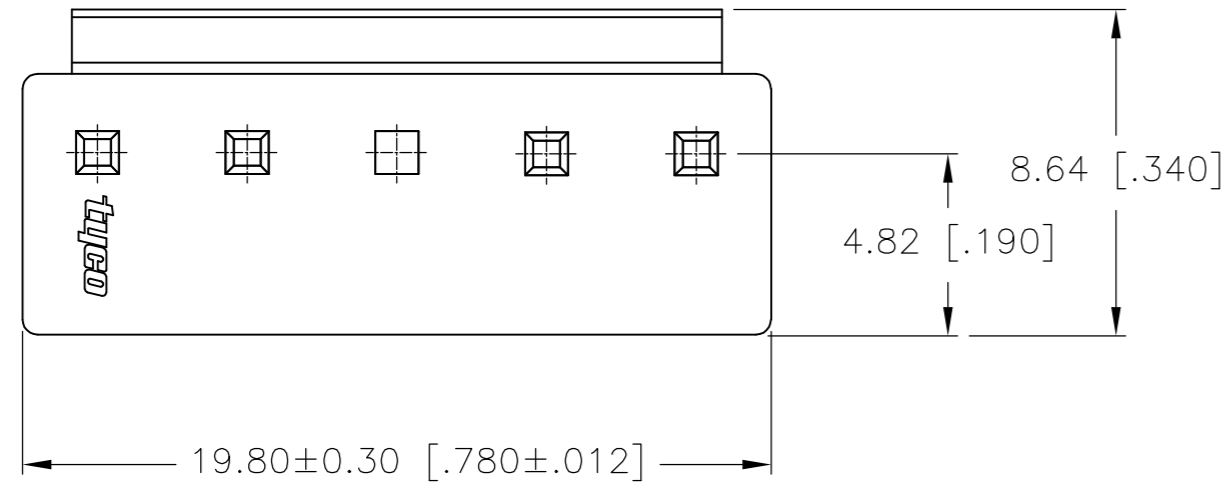
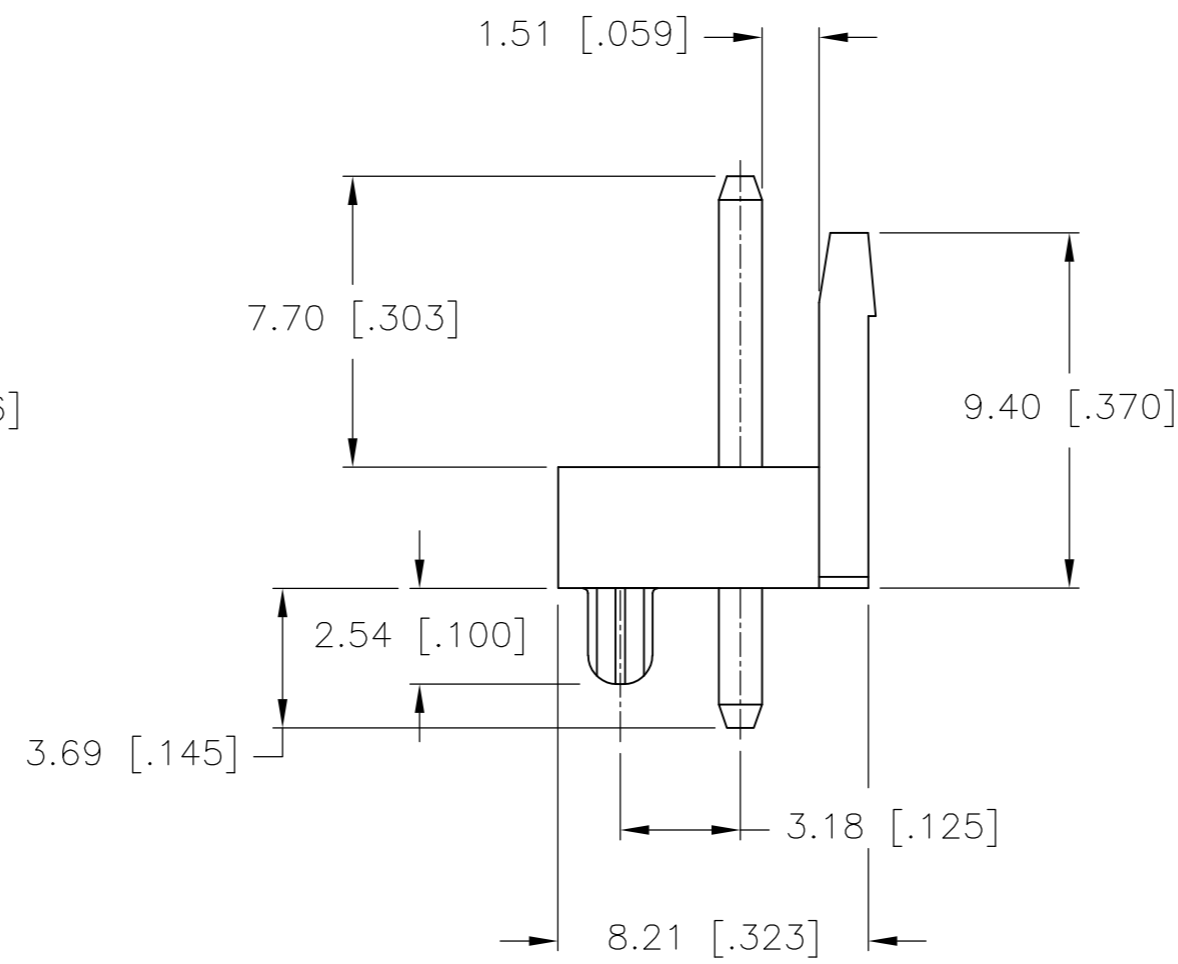
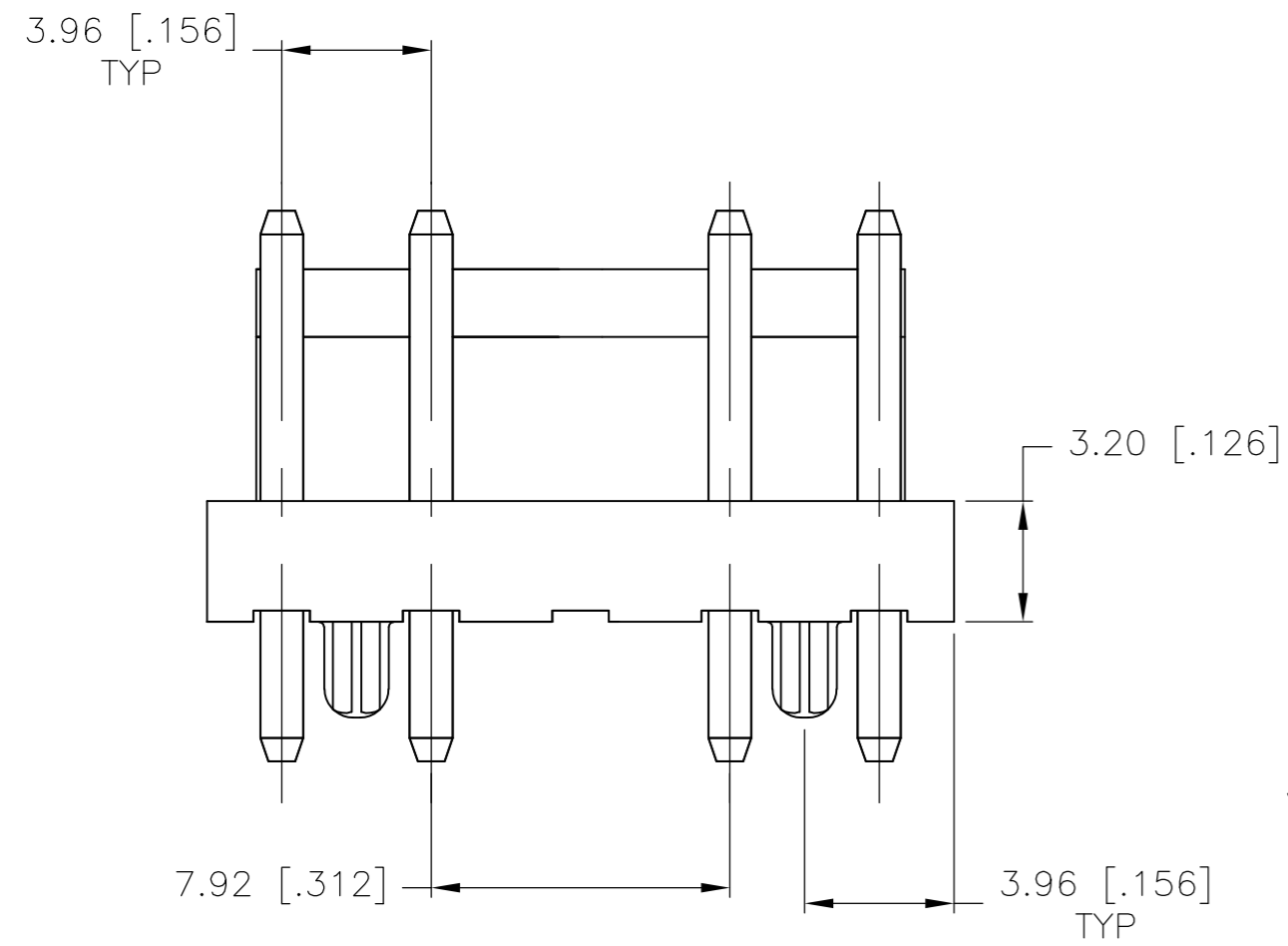


THIS DRAWING IS UNPUBLISHED. RELEASED FOR PUBLICATION
 © COPYRIGHT BY TYCO ELECTRONICS CORPORATION. ALL INTERNATIONAL RIGHTS RESERVED.

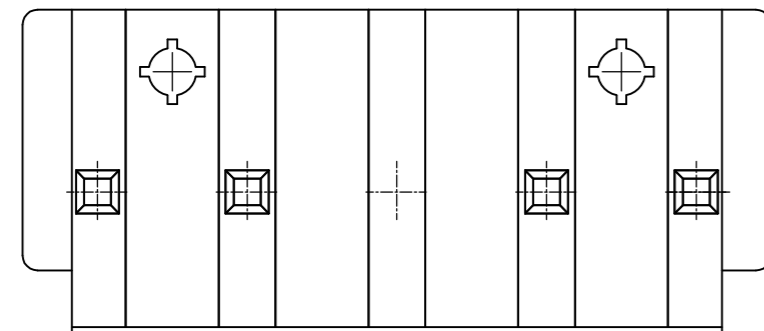
LOC		DIST		REVISIONS			
P	LTR	DESCRIPTION		DATE	DWN	APVD	
GP	00	D		REVISED PER ECO-09-017647	29OCT2009	CR	CR



RECOMMENDED MOUNTING HOLE PATTERN FOR 1.6 [0.063] THICK PC BOARD



- 1 HOUSING MATERIAL: NYLON 66 UL94V-0.
- 2 CONTACT MATERIAL: BRASS
- 3 CONTACT PLATING: 0.003[0.000120] MIN TIN OVER 0.001[0.000039] MIN NICKEL.



3	RED	1744291-5
3	NATURAL	1744291-1
POST OMITTED	COLOR	PART NUMBER

METRIC

THIS DRAWING IS A CONTROLLED DOCUMENT.		DWN K. WHITAKER 20DEC2007	Tyco Electronics Corporation Harrisburg, PA 17105-3608	
DIMENSIONS: mm [INCHES]		CHK S. RIDGILL 20DEC2007	NAME S. RIDGILL 20DEC2007	
TOLERANCES UNLESS OTHERWISE SPECIFIED: 0 PLC ± 1 PLC ± 2 PLC ± 3 PLC ± 0.13 [0.005] 4 PLC ± ANGLES ±		APVD S. RIDGILL 20DEC2007	PRODUCT SPEC	
MATERIAL SEE NOTES		APPLICATION SPEC	WEIGHT	
		FINISH	CUSTOMER DRAWING	
		WEIGHT	SIZE A2	CAGE CODE 00779
		WEIGHT	DRAWING NO 1744291	RESTRICTED TO -
		WEIGHT	SCALE 5:1	SHEET 1 of 1
		WEIGHT	REV D	