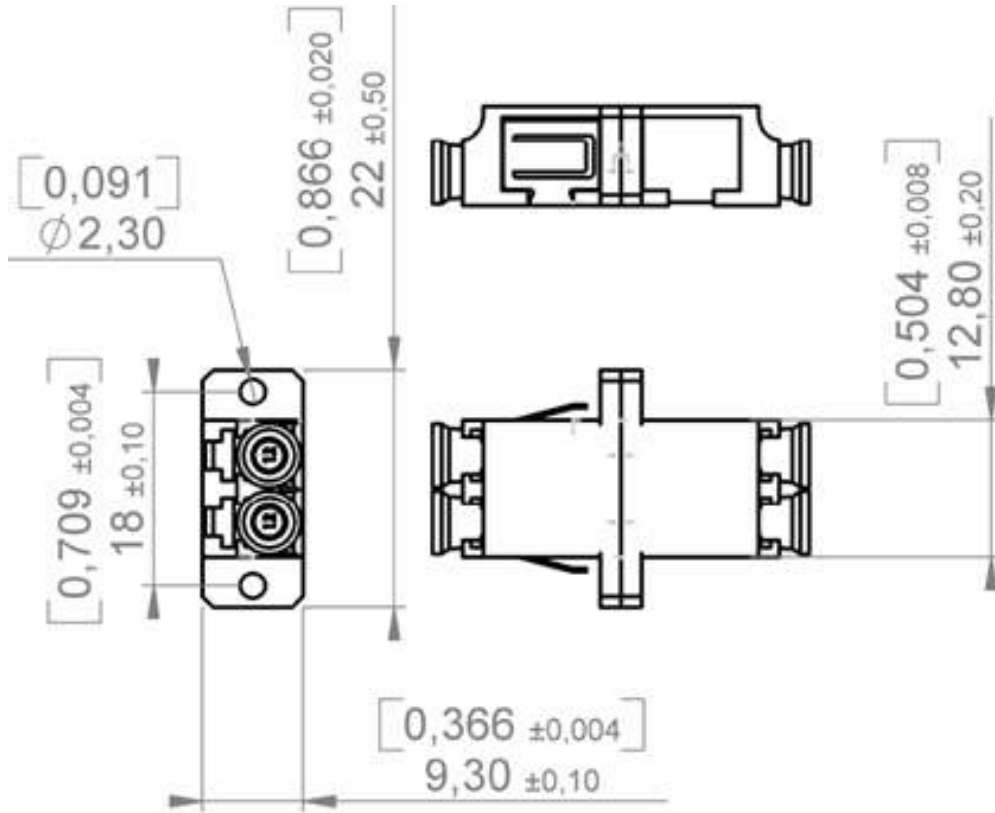


PAGE 1/1	ISSUE 20-10-14	SERIES LC	PART NUMBER F727752800
----------	----------------	-----------	-------------------------------



Dimensions: mm [inches]

GENERAL

Type: IEC 61754 - 20 (LC)

Mounting: SC panel cut-out screw in (max. panel thickness 1.7mm)

Alignment Sleeve: Ceramic

Color: BEIGE

CHARACTERISTICS (Dependent on cable or fiber construction)

Material: Plastic molded (body UL94 V0 rated)

Mechanical: Endurance : 200 matings

Environmental: Storage temperature range: -40°C / +85°C*
Operating temperature range: -25°C / +70°C

(Performance and specification: see document **GEN_F727 001**)