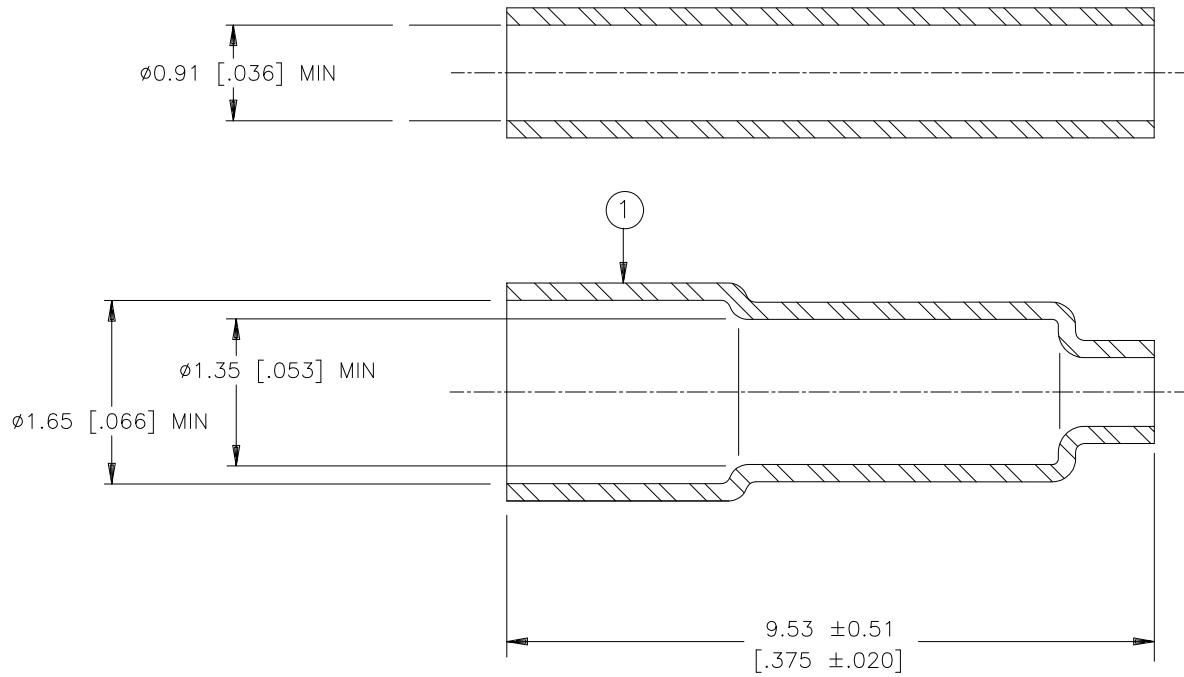


## CUSTOMER DRAWING




**MATERIAL:**

INSULATION SLEEVE: Heat-shrinkable, transparent blue, radiation cross-linked polyvinylidene fluoride.

**APPLICATION:**

ISOLATING SOLDER JOINTS.

 <b>TE Connectivity</b>		<i>Raychem Devices</i>	TITLE: <b>SLEEVE</b>			
Unless otherwise specified dimensions are in millimeters. [Inches dimensions are shown in brackets]			DOCUMENT NO.: <b>D-141-40</b>			
TOLERANCES: 0.00 N/A 0.0 N/A 0 N/A	ANGLES: N/A  ROUGHNESS IN MICRON	Tyco Electronics reserves the right to amend this drawing at any time. Users should evaluate the suitability of the product for their application.	REVISION:  A	DATE:  April 04, 2014		
PREPARED BY: TNGUYEN	REVISED PER: ECO-14-005172		DWG FILED: D-141-20.doc	CAGE CODE : 06090	SCALE: N/A	SIZE: A
					SHEET: 1 of 1	

© 2014 Tyco Electronics Corporation. All rights reserved.

If this document is printed it becomes uncontrolled. Check for the latest revision.