

A

A

C

C

B

B

D

D



FCIconnect.com

Copyright FCI.

Configuration of customer Documents list

P/N	Documents	No.	Title
SLW__R/S-1C7BLF	SPEC	SC-SLW05	
	DWG	JSA96312	CAT NO. TABLE FOR 1mm SPACING CONNECTOR
		JSA96313	1mm SPACING CONNECTOR
		JSA96314	1mm SPACING CONNECTOR
	CABLE	JSA96315	RECOMMENDED CABLE

mat'l. code				surface ISO 1302 <input checked="" type="checkbox"/>		tolerance ISO 406 <input checked="" type="checkbox"/> ISO 1101		projection		product family 58JF/TF		CODE JP	
ltr	ecn no	dr	date	tolerances unless otherwise specified				mm		title 1mm SPACING CONNECTOR DOCUMENT LIST (Cat. No. SLW__R/S1C7BLF)			
A	J05-0079	H.T	'05/2/18	angles	linear			scale $\times$		dwg no		sheet 1 of 1	size
B	J06-0459	H.T	11/8/06							JSA96343		A4	
sheet index		revision	B							type Product Customer Drawing		Rev.	B
		sheet	1										

CAT. NO. & DIMENSIONS

NO. OF CONTACTS (n)	CAT. NO.		DIMENSIONS (NOTE1)	
	RIGHT ANGLE TYPE	STRAIGHT TYPE	A ± 0.3	B ± 0.3
4	SLW 4R-1C7BLF	SLW 4S-1C7BLF	10.2	5.2
5	SLW 5R-1C7BLF	SLW 5S-1C7BLF	11.2	6.2
6	SLW 6R-1C7BLF	SLW 6S-1C7BLF	12.2	7.2
7	SLW 7R-1C7BLF	SLW 7S-1C7BLF	13.2	8.2
8	SLW 8R-1C7BLF	SLW 8S-1C7BLF	14.2	9.2
9	SLW 9R-1C7BLF	SLW 9S-1C7BLF	15.2	10.2
10	SLW10R-1C7BLF	SLW10S-1C7BLF	16.2	11.2
11	SLW11R-1C7BLF	SLW11S-1C7BLF	17.2	12.2
12	SLW12R-1C7BLF	SLW12S-1C7BLF	18.2	13.2
13	SLW13R-1C7BLF	SLW13S-1C7BLF	19.2	14.2
14	SLW14R-1C7BLF	SLW14S-1C7BLF	20.2	15.2
15	SLW15R-1C7BLF	SLW15S-1C7BLF	21.2	16.2
16	SLW16R-1C7BLF	SLW16S-1C7BLF	22.2	17.2
17	SLW17R-1C7BLF	SLW17S-1C7BLF	23.2	18.2
18	SLW18R-1C7BLF	SLW18S-1C7BLF	24.2	19.2
19	SLW19R-1C7BLF	SLW19S-1C7BLF	25.2	20.2
20	SLW20R-1C7BLF	SLW20S-1C7BLF	26.2	21.2
21	SLW21R-1C7BLF	SLW21S-1C7BLF	27.2	22.2
22	SLW22R-1C7BLF	SLW22S-1C7BLF	28.2	23.2
23	SLW23R-1C7BLF	SLW23S-1C7BLF	29.2	24.2
24	SLW24R-1C7BLF	SLW24S-1C7BLF	30.2	25.2
25	SLW25R-1C7BLF	SLW25S-1C7BLF	31.2	26.2
26	SLW26R-1C7BLF	SLW26S-1C7BLF	32.2	27.2
27	SLW27R-1C7BLF	SLW27S-1C7BLF	33.2	28.2
28	SLW28R-1C7BLF	SLW28S-1C7BLF	34.2	29.2
29	SLW29R-1C7BLF	SLW29S-1C7BLF	35.2	30.2
30	SLW30R-1C7BLF	SLW30S-1C7BLF	36.2	31.2

CAT. NO. SLW (n) R -1C7 B LF  
 SERIES NAME \_\_\_\_\_  
 NO. OF CONTACTS \_\_\_\_\_  
 R:RIGHT ANGLE TYPE \_\_\_\_\_  
 S:STRAIGHT TYPE \_\_\_\_\_  
 VARIATION \_\_\_\_\_  
 GOLD PLATING \_\_\_\_\_  
 LEAD FREE \_\_\_\_\_

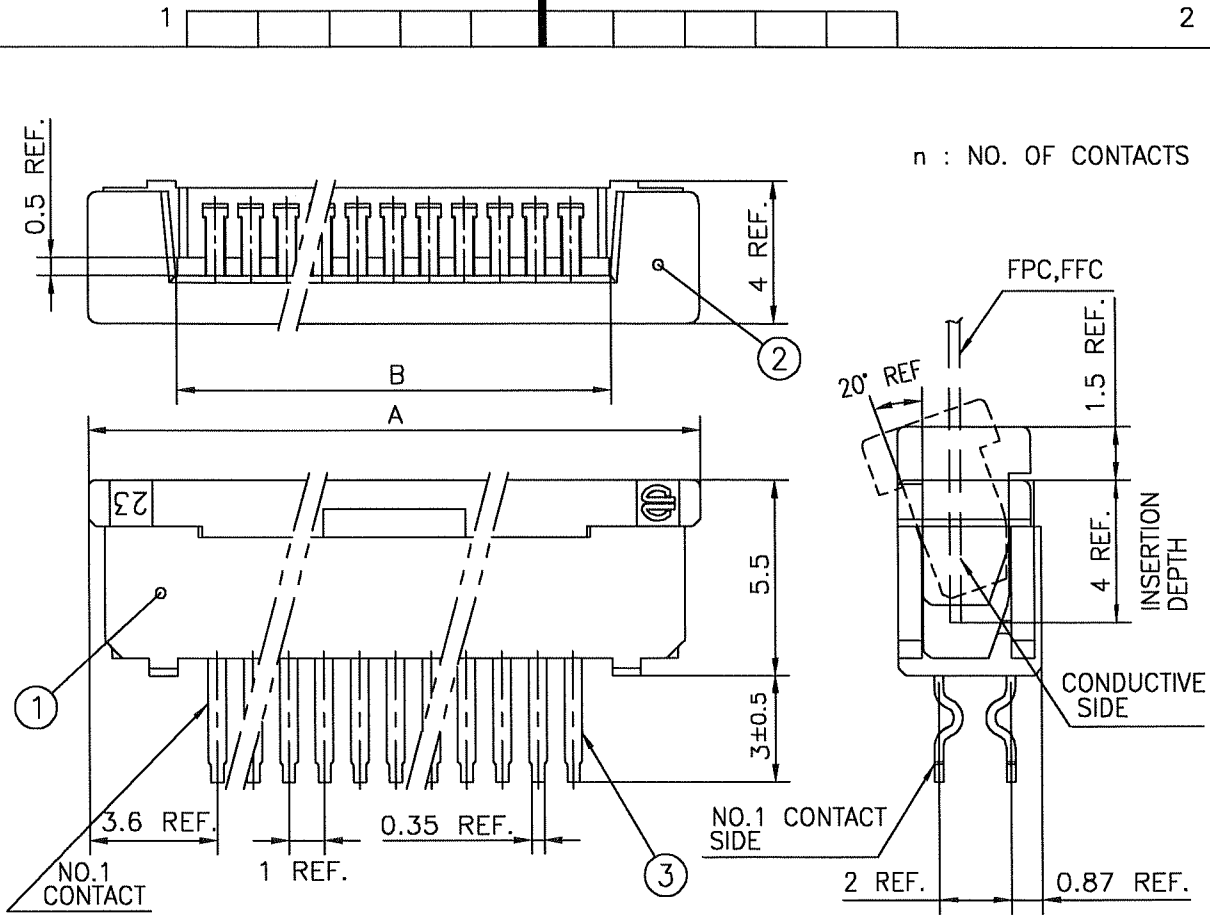
NOTE  
 1. SEE PART DRAWINGS FOR DIMENSIONS A,B.

mat'l. code				surface ISO 1302 <input checked="" type="checkbox"/>	tolerance ISO 406 ISO 1101	projection	product family 58JF/TF	CODE JP
ltr	ecn no	dr	date	tolerances, unless otherwise specified		mm	title	
A	J05-0079	H.T	2/18/05	angles	linear		CAT NO. TABLE FOR 1mm SPACING CONNECTOR (Cat. No. SLW__R/S-1C7BLF)	
B	J06-0459	H.T	11/8/06			scale X	dwg no sheet 1 of 1 size	
				dr	<i>[Signature]</i> 11/8/06		JSA 96312 A4	
				enr	<i>[Signature]</i> 11/8/06		type Product Customer Drawing	
				chr	<i>R. Show</i> 11/9/06			
				app	<i>S. Audum</i> 11/9/06			
sheet index	revision	B	sheet	1				Rev. B



FCIconnect.com

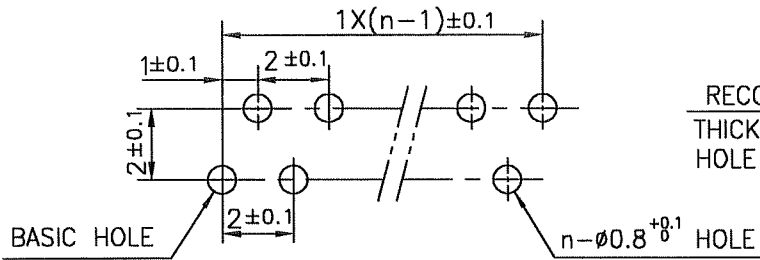
Copyright FCI.



1. THIS PRODUCT MEETS EUROPEAN UNION DIRECTIVES AND OTHER COUNTRY REGULATIONS AS DESCRIBED IN GS-22-008

2. THE HOUSING WILL WITHSTAND EXPOSURE TO 260°C PEAK TEMPERATURE FOR 10 SECONDS IN A WAVE SOLDER APPLICATION WITH A 1.6mm THICK CIRCUIT BOARD.

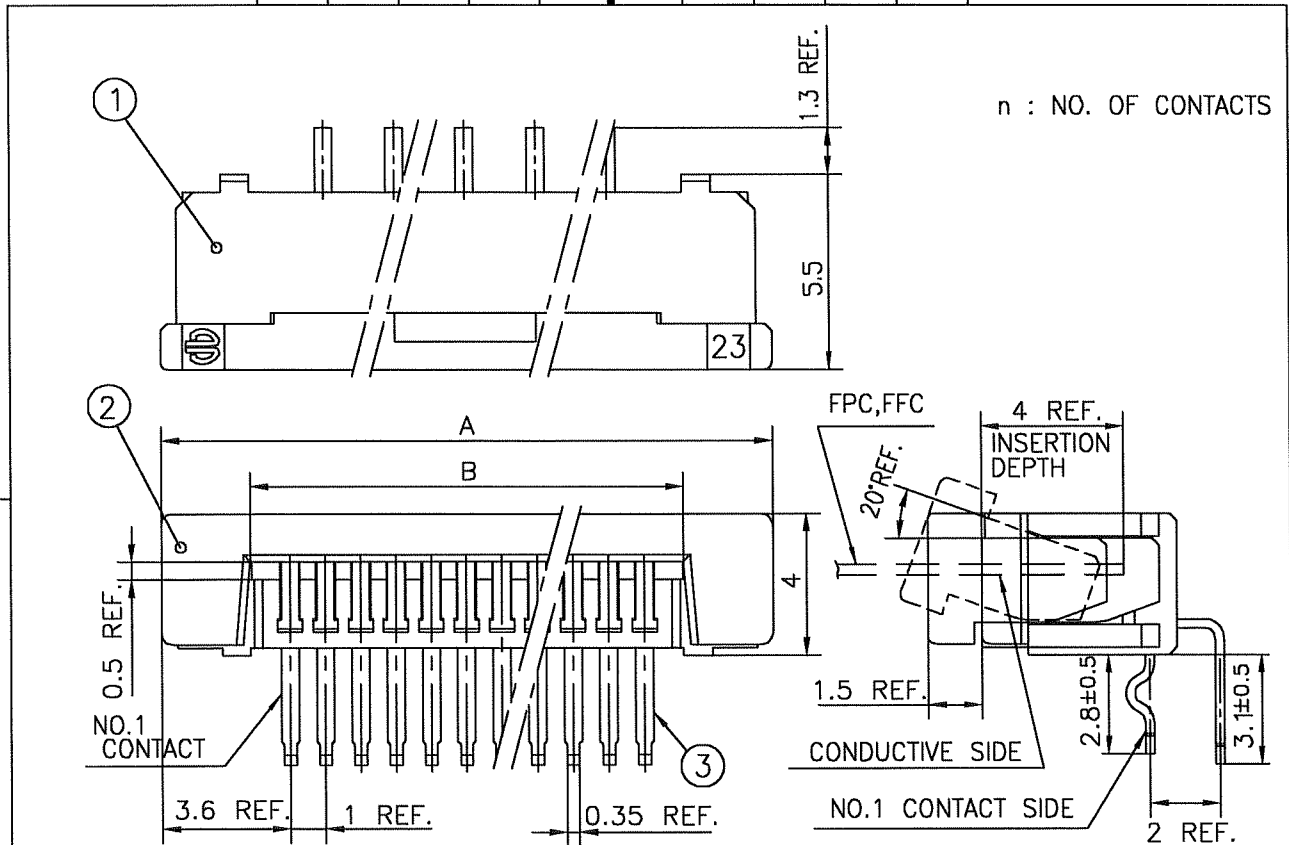
PT.NO.	PARTS NAME	MATERIAL	Q'TY	NOTE
1	HOUSING	NYLON RESIN GLASS REINFORCED (UL94V-0)	1	COLOR : BLACK
2	SLIDER		1	
3	CONTACT	PHOSPHOR BRONZE	n	PLATING :GOLD PLATING



RECOMMENDED PC BOARD THICKNESS : 0.8~1.6 HOLE PATTERN (COMPONENT SIDE)

mat'l. code				surface ISO 1302 ✓	tolerance ISO 406 ISO 1101	projection	product family 58JF	CODE JP
ltr	ecn no	dr	date	tolerances unless otherwise specified		mm	title	
A	J05-0079	H.T	'05/2/18	angles	linear		1mm SPACING CONNECTOR (Cat. No. SLW__S-1C7BLF)	
B	J05-0734	H.T	10/28/'05			scale X	dwg no sheet 1 of 1 size	
C	J06-0459	H.T	11/8/'06				JSA 96313 A4	
				dr			type Product Customer Drawing	
				enr				
				chr				
				app				
sheet index	revision sheet	C	1					Rev. C

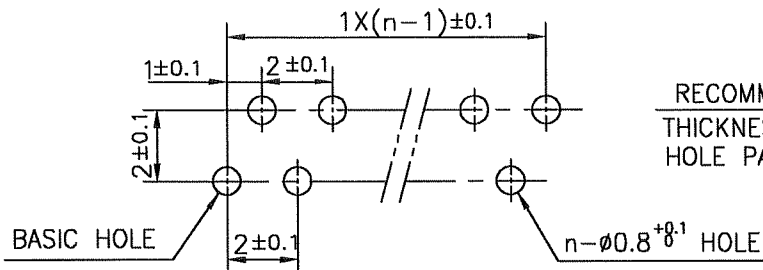
SC-SLW03 JSA96312 form: A4



1. THIS PRODUCT MEETS EUROPEAN UNION DIRECTIVES AND OTHER COUNTRY REGULATIONS AS DESCRIBED IN GS-22-008

2. THE HOUSING WILL WITHSTAND EXPOSURE TO 260°C PEAK TEMPERATURE FOR 10 SECONDS IN A WAVE SOLDER APPLICATION WITH A 1.6mm THICK CIRCUIT BOARD.

PT.NO.	PARTS NAME	MATERIAL	Q'TY	NOTE
1	HOUSING	NYLON RESIN GLASS REINFORCED (UL94V-0)	1	COLOR : BLACK
2	SLIDER		1	
3	CONTACT	PHOSPHOR BRONZE	n	PLATING : GOLD PLATING



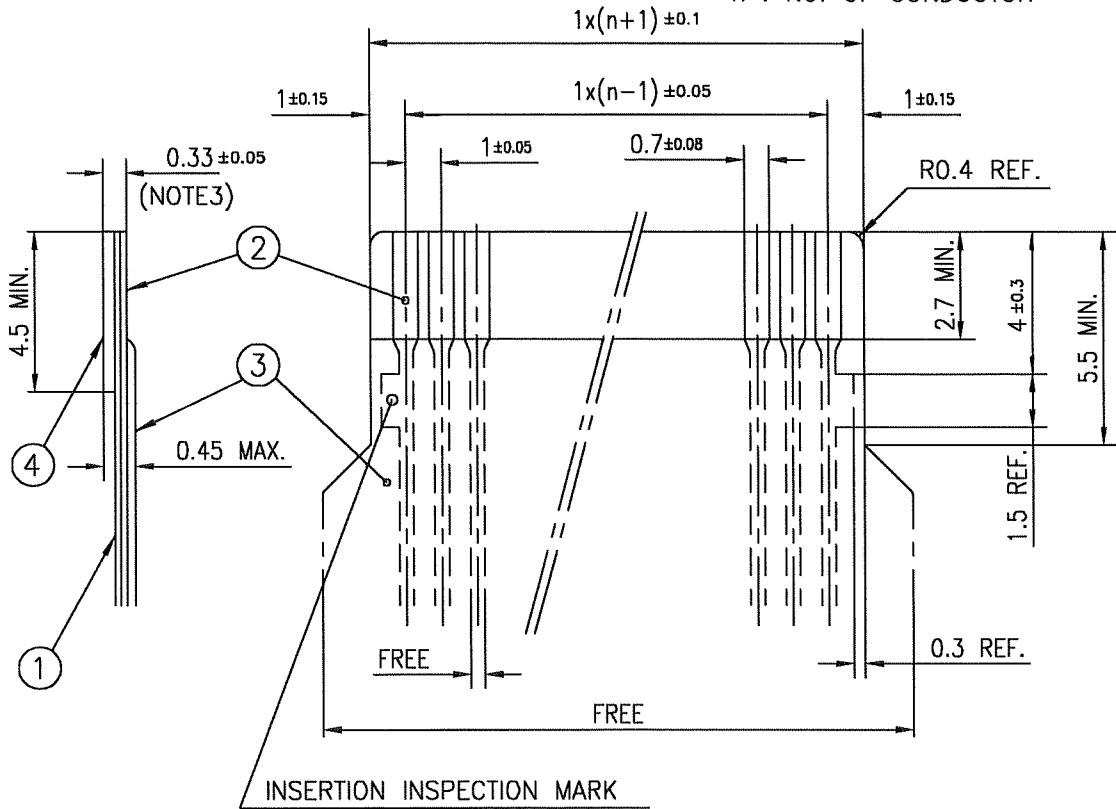
RECOMMENDED PC BOARD THICKNESS : 0.8~1.6 HOLE PATTERN (COMPONENT SIDE)

mat'l. code				surface ISO 1302	tolerance ISO 406 ISO 1101	projection	product family 58TF	CODE JP	
ltr	ecn no	dr	date	tolerances unless otherwise specified		mm	title		
A	J05-0079	H.T	'05/2/18	angles	linear		±0.3	1mm SPACING CONNECTOR (Cat. No. SLW_R-1C7BLF)	
B	J05-0734	H.T	10/28/'05						
C	J06-0459	H.T	11/8/'06			scale			
				dr			sheet 1 of 1 size		
				enr			JSA 96314 A4		
				chr			type Product Customer Drawing		
				app					
sheet index	revision	C						Rev. C	
	sheet	1							

SC-SLW05 JSA96312 form: A4

RECOMMENDED CABLE (FPC)

n : NO. OF CONDUCTOR



PT. NO.	PARTS NAME	MATERIAL	THICKNESS (μm)
1	BASE FILM	POLYIMIDE OR POLYESTER OR EQUAL	25
2	CONDUCTOR	COPPER FOIL(PLATING : GOLD 0.25μm MIN.)	35
3	OVERLAY	POLYIMIDE OR POLYESTER OR EQUAL	—
4	SUPPORTING TAPE	POLYESTER OR POLYIMIDE OR EQUAL	188

NOTES

1. NO BURR AT EACH PORTION.
2. NO PEELING IN COMMON USE.
3. TOTAL THICKNESS LIMIT OF EACH MATERIAL (INCLUDING ADHESIVE AGENT) IS SPECIFIED.

mat'l. code				surface ISO 1302 ✓		tolerance ISO 406 ISO 1101		projection ⊕		product family 58JF/TF		CODE JP	
ltr	ecn no	dr	date	tolerances unless otherwise specified				mm		title RECOMMENDED CABLE (Cat. No. SLW__R/S-1C7BLF)			
A	J05-0079	H.T	'05/2/18	angles	linear			scale X		dwg no JSA 96315		sheet 1 of 1 size A4	
B	J06-0459	H.T	11/8/'06					FCJ		type Product Customer Drawing			
sheet index		revision sheet		B		1						Rev. B	



FCJconnect.com

Copyright FCI.