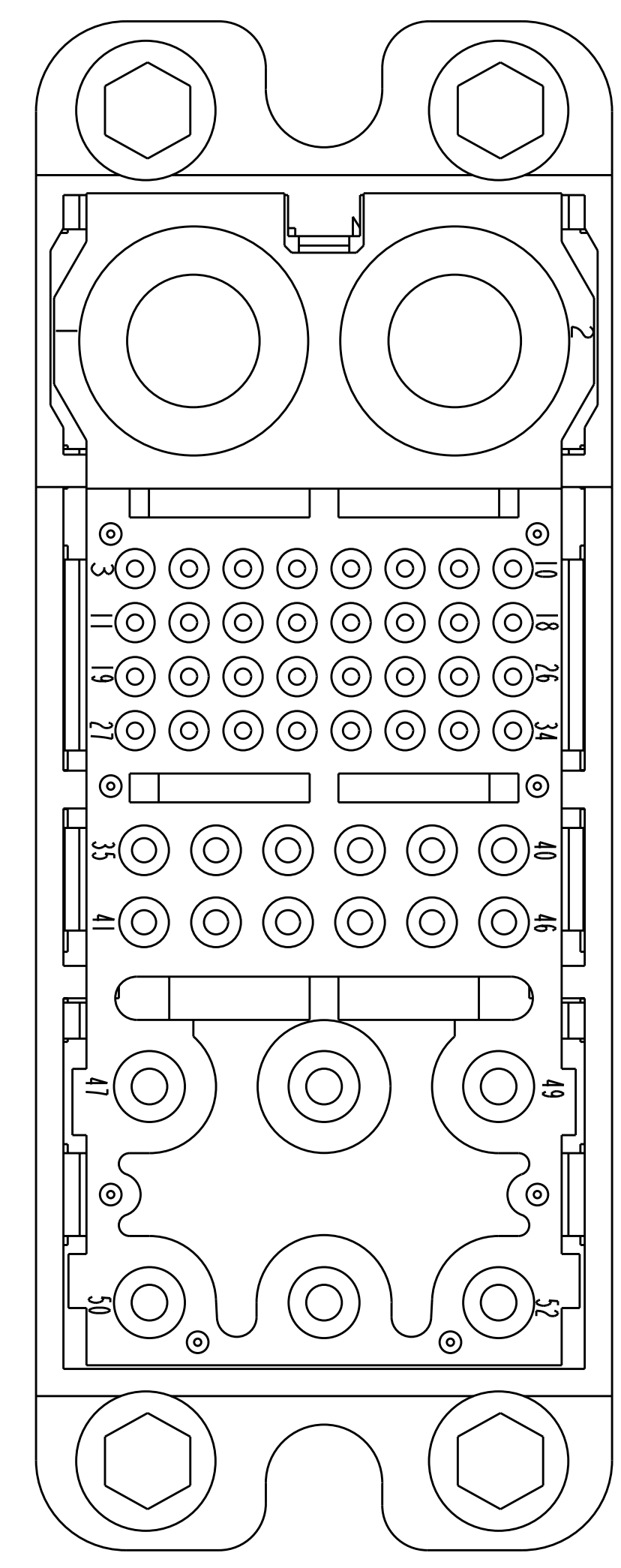
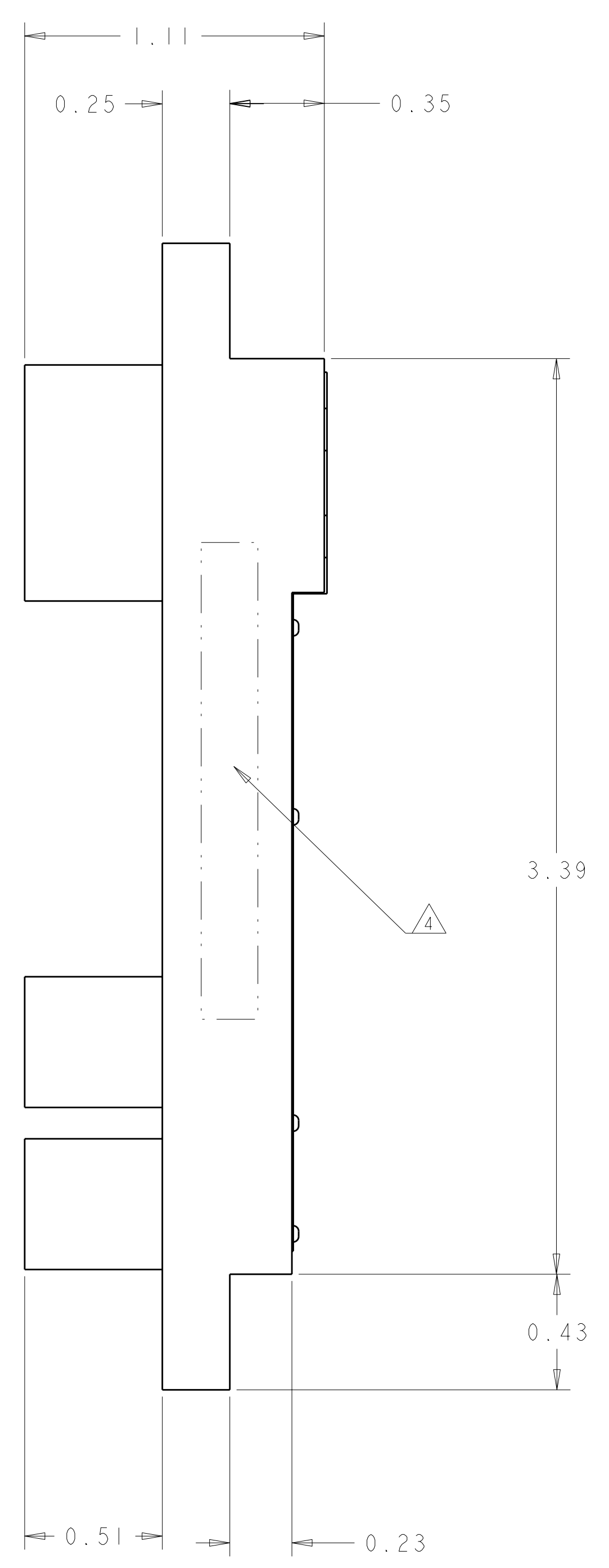
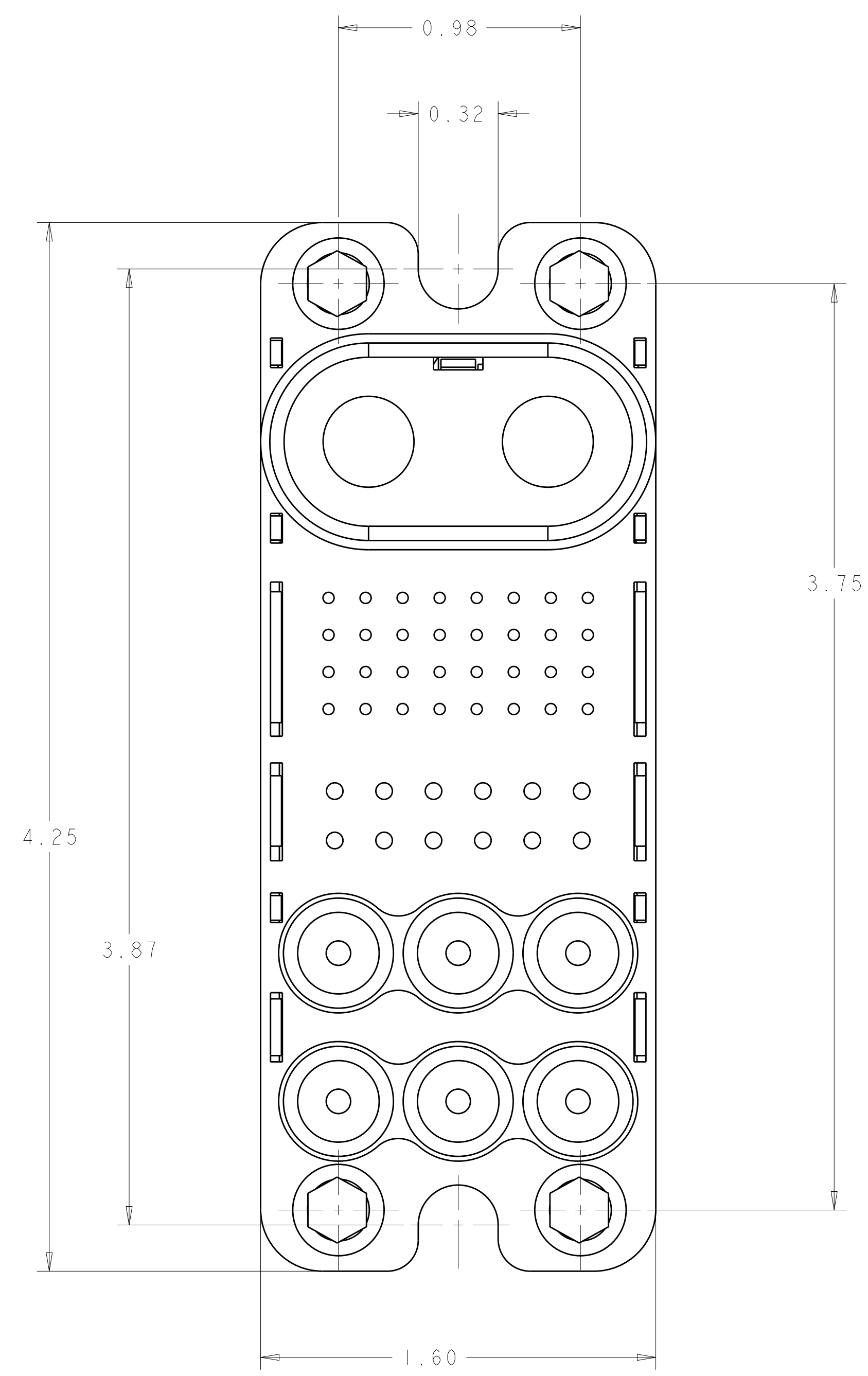


LOC	DIST	REVISIONS					
GP	00	P	LTB	DESCRIPTION	DATE	DWN	APVD
		A		RELEASED	20FEB2008	RG	DO
		B		REV PER ECO-09-010463	30APR2009	RG	DO

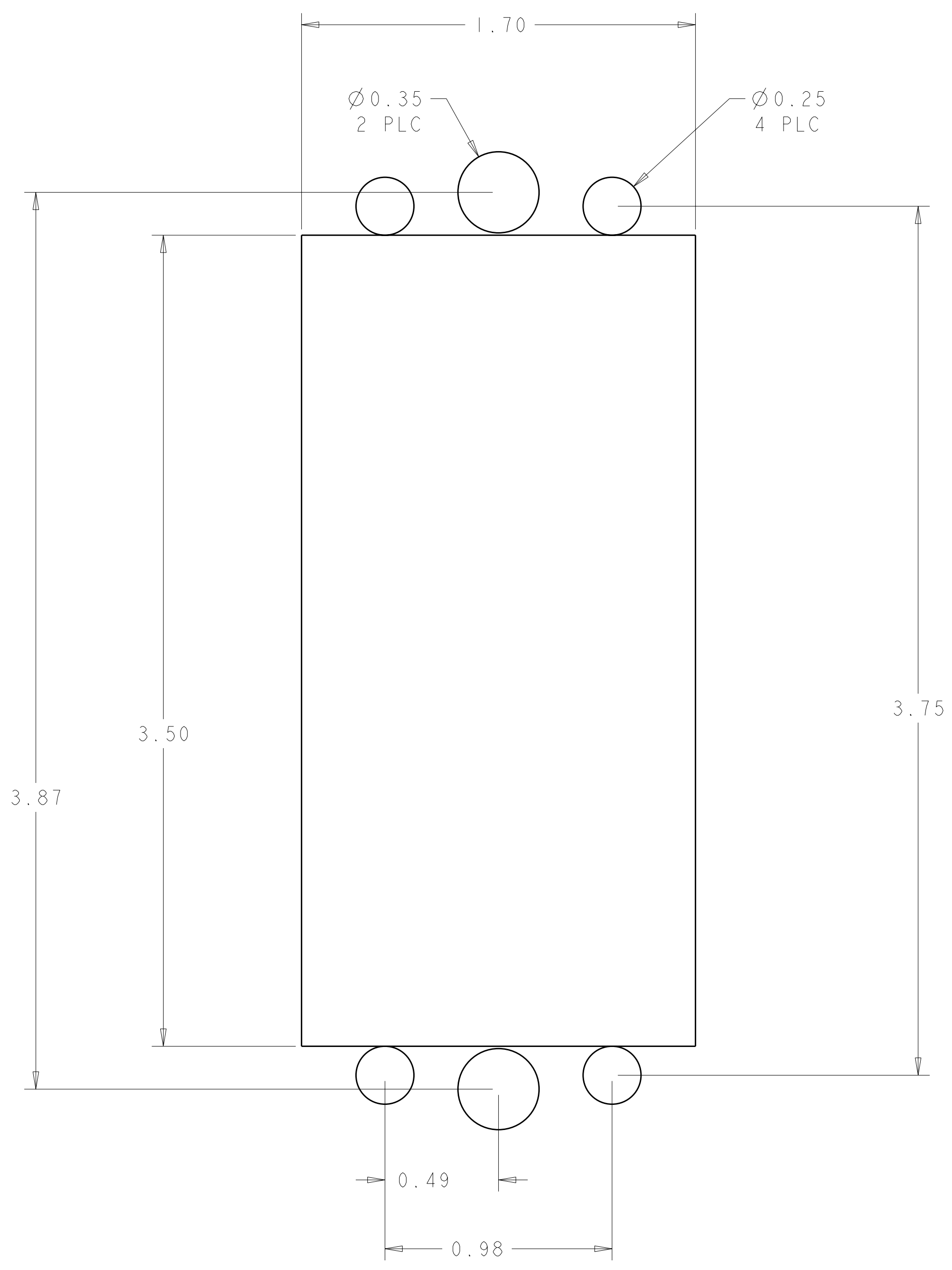


2	1650399-1	SHOULDER SCREW, #10-32 UNF 2A	E
4	1766193-1	CONTACT, PIN, #12, CRIMP, STD	D
8	1766194-1	CONTACT, PIN, #16, CRIMP, STD	C
30	1650155-1	CONTACT, PIN, #20, CRIMP, STD	B
1	1648183-2	CONNECTOR, PIN	A
-1	PART NUMBER	DESCRIPTION	ITEM

ELCON DRAWER

DIMENSIONS: INCHES 		TOLERANCES UNLESS OTHERWISE SPECIFIED: 9 PLC ±. 1 PLC ±.02 2 PLC ±.010 4 PLC ±. ANGLES ±.5		DWN R. GRZYBOWSKI 6FEB2008 CHK D. ORRIS 6FEB2008 APVD S. FLICKINGER 6FEB2008		Tyco Electronics Harrisburg, PA 17105-3608	
MATERIAL: - FINISH: -		WEIGHT: - CUSTOMER DRAWING		NAME: CONNECTOR, PIN TOP DRAWER SIZE: CAGE CODE DRAWING NO: A100779C-1926770 RESTRICTED TO: -		SCALE: 4:1 SHEET 1 OF 2 REV B	

LOC	DIST	REVISIONS			
P	LTR	DESCRIPTION	DATE	DWN	APVD
GP	00	SEE SHEET 1	-	-	-



SUGGESTED PANEL CUTOUT
 VIEWED FROM CONNECTOR MOUNTING SIDE

- PART NUMBER CHANGES AND OR DESIGN CHANGES AFFECTING THE INTERCHANGEABILITY REQUIRE PRIOR TYCO APPROVAL AND AUTHORIZATION BY REVISION TO THIS DRAWING.
 - MATERIAL:
 INSULATOR: THERMOPLASTIC, GLASS REINFORCED, FLAMMABILITY RATED, COLOR: BLACK
 PIN CONTACT: COPPER ALLOY
 RETENTION CLIP: BERYLLIUM COPPER OR STAINLESS STEEL
 - FINISH:
 PIN CONTACT SIZE No. 20: GOLD PLATE .000010 MIN. THK. OVER NICKEL .000050 MIN. THK.
 PIN CONTACT SIZE No. 12 & 16: SILVER PLATE .000200 MIN THK. OVER NICKEL .000040 MIN THK.
- 4 ITEMS PROVIDED TO THIS SPECIFICATION TO BE PERMANENTLY IDENTIFIED PER THE FOLLOWING IDENTIFIER:
- TYCO ELECTRONICS P/N DATE CODE (e.g. 0216)
 XXXXXXX-X XXXX
- 5 CRIMP CONTACTS, SHOULDER SCREWS (ITEM B, C, D & E) SHALL BE PACKAGED SEPARATELY AND PLACED IN THE BOX WITH THE CONN. ASSEMBLY.

<small>THIS DRAWING IS UNPUBLISHED. RELEASED FOR PUBLICATION BY TYCO ELECTRONICS CORPORATION. ALL RIGHTS RESERVED.</small>		DWN R. GRZYBOWSKI 6FEB2008 CHK D. ORRIS 6FEB2008 APVD S. FLICKINGER 6FEB2008	Tyco Electronics Harrisburg, PA 17105-3608
DIMENSIONS: INCHES	TOLERANCES UNLESS OTHERWISE SPECIFIED: 0 PLC ±. 1 PLC ±. 2 PLC ±.02 3 PLC ±.010 4 PLC ±. ANGLES ±.5	NAME PRODUCT SPEC APPLICATION SPEC	NAME CONNECTOR, PIN TOP DRAWER
MATERIAL FINISH	FINISH	WEIGHT CUSTOMER DRAWING	SIZE CAGE CODE DRAWING NO RESTRICTED TO A 100779 C-1926770 SCALE 4:1 SHEET 2 OF 2 REV B