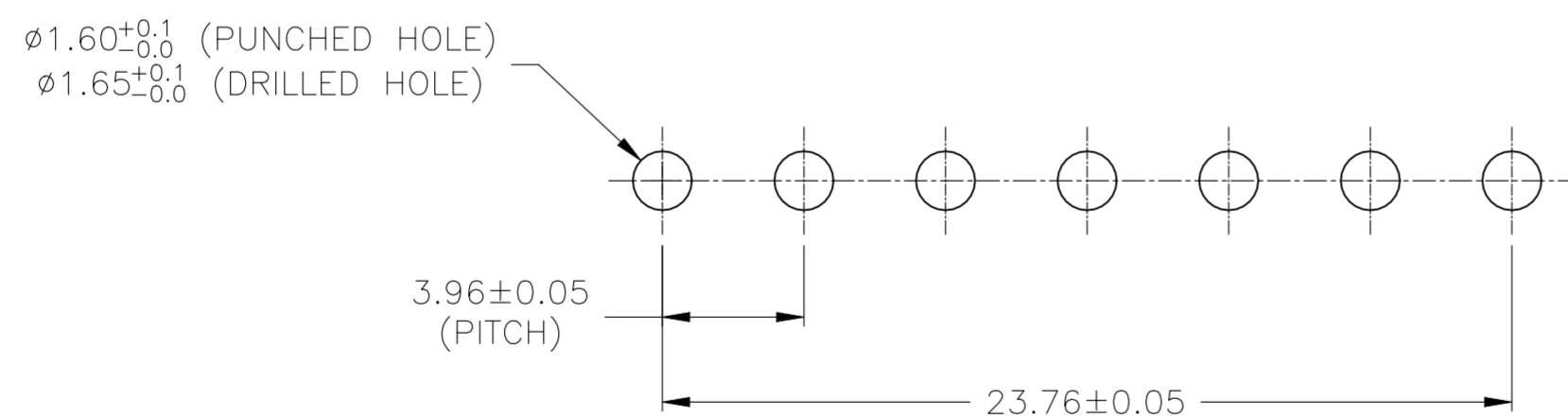
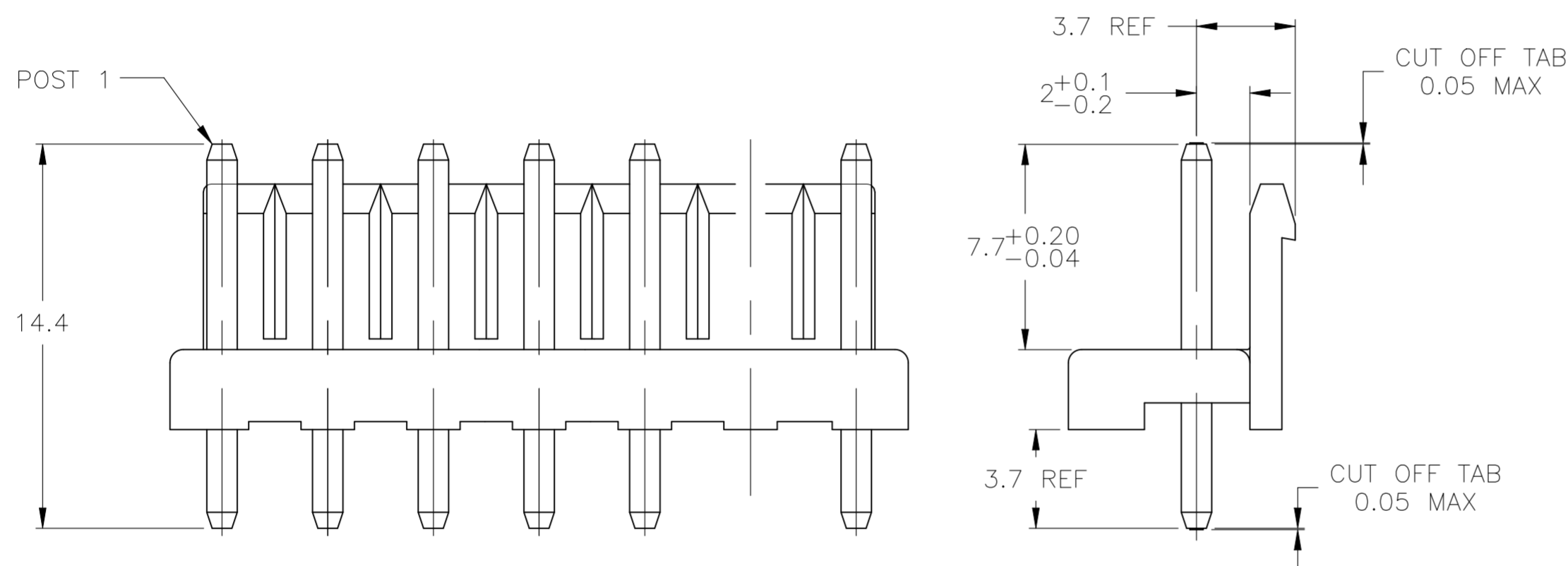
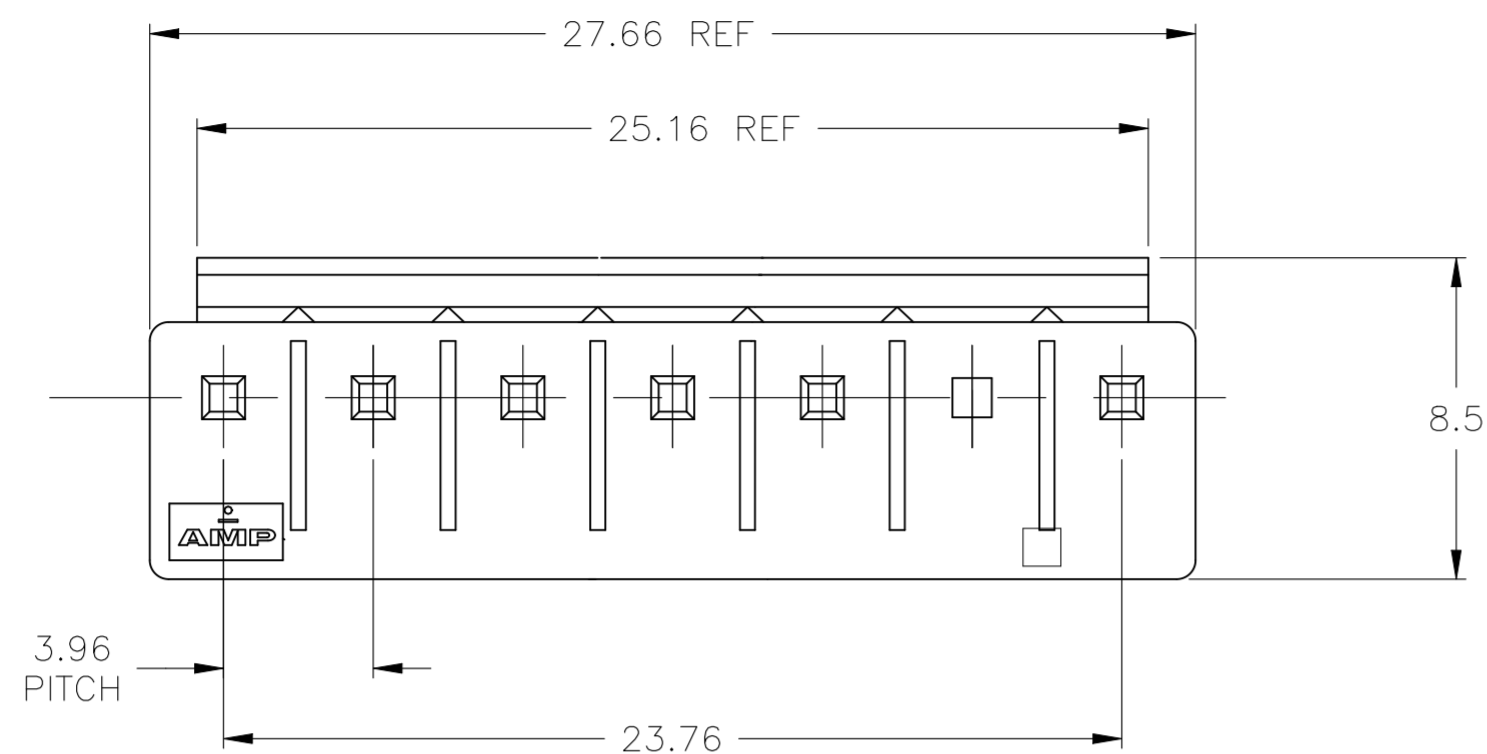


REVISIONS					
P	LTR	DESCRIPTION	DATE	DWN	APVD
D2		REVISED PER ECR-21-124255	21JAN2022	SS	DZ



PCB LAYOUT THICKNESS: 1.60

1 MATERIAL: HOUSING- PBT, NATURAL
 POST- BRASS, 1MICROMETER MIN TIN OVER
 0.8 MICROMETER MIN NICKEL.

2. RECOMMENDED MATING PART: *-1123722-*

3 0 : WITH PIN,
 X : WITHOUT PIN.

1744107-1 SHOWN

	0	X	0	X	0	X	0	BLUE	7	3-1744107-5
	0	X	0	X	0	X	0	YELLOW	7	2-1744107-5
	0	0	0	0	0	0	0	NATURAL	7	1-1744107-7
	0	X	0	X	0	X	0	BLACK	7	5-1744107-5
	0	X	0	X	0	X	0	RED	7	4-1744107-5
	0	X	0	X	0	X	0	NATURAL	7	1-1744107-5
	0	0	0	0	X	0	0	NATURAL	7	1744107-4
OBSOLETE	0	X	0	0	0	0	0	NATURAL	7	1744107-3
	0	0	X	0	0	0	0	NATURAL	7	1744107-2
OBSOLETE	0	0	0	0	0	X	0	NATURAL	7	1744107-1

3	1	2	3	4	5	6	7	COLOR	NO. OF POSITIONS	ASSEMBLY PART NO.
---	---	---	---	---	---	---	---	-------	------------------	-------------------

THIS DRAWING IS A CONTROLLED DOCUMENT.

DWN K. WHITAKER 04JUN04	TE Connectivity HEADER ASSEMBLY, SPECIAL, OMITTED POST, 7 POSITION, ECONOMY POWER(EP)
CHK D. BOSSI 04JUN04	
APVD D. BOSSI 04JUN04	
PRODUCT SPEC 108-5609	
MATERIAL	NAME
TOLERANCES UNLESS OTHERWISE SPECIFIED:	SIZE
0 PLC ± -	CAGE CODE
1 PLC ± 0.5	DRAWING NO
2 PLC ± 0.30	00779
3 PLC ± -	SCALE
4 PLC ± -	N/A
ANGLES ± -	SHEET
FINISH	1 OF 1
1	REV
1	D2

