

10 9 8 7 6 5 4 3 2 1

F

E

D

C

B

A

F

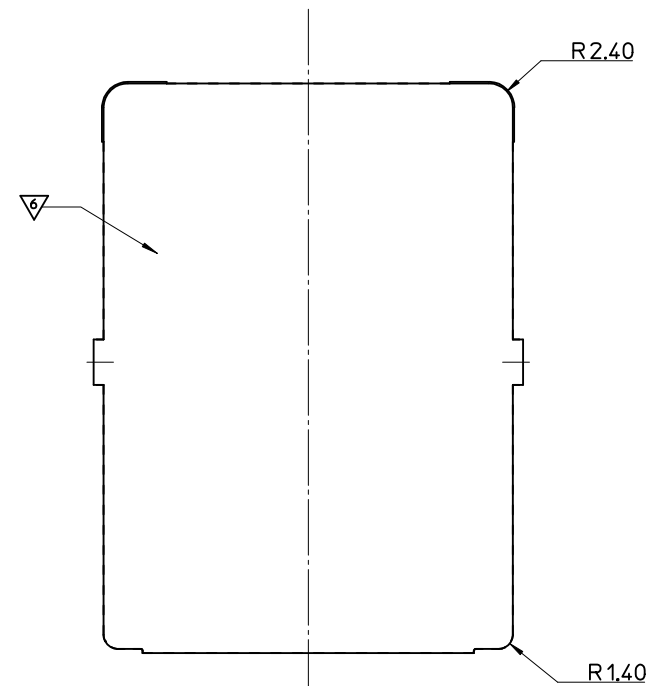
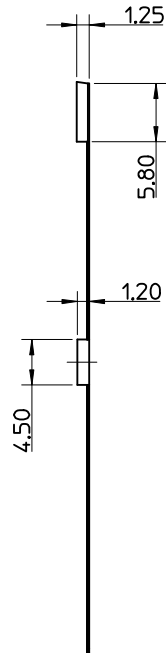
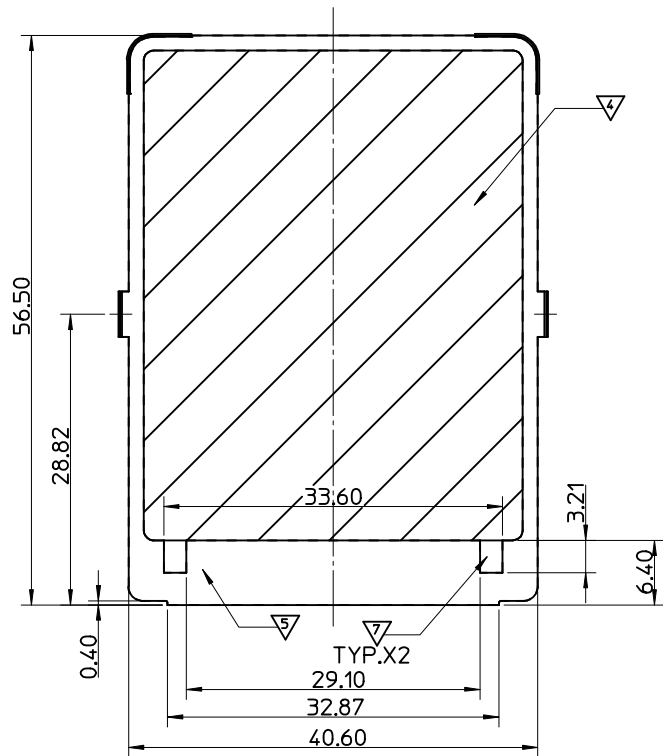
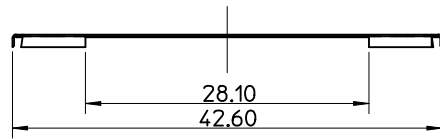
E

D

C

B

A



NOTE:

- 1.MATERIAL:STAINLESS STEEL,THICKNESS 0.15MM
- 2.FINISH:NO DAMAGE
- 3.PRODUCT SPECIFICATION:PS-67998-0006
- PRINTED INSULATION,COLOR GREEN
- HEAT ADHESIVE GLUE TAPE ATTACHED,THICKNESS 0.10MM
- PROTECT MYLAR ATTACHED
- NUDE AREA
- 8.USE WITH FRAME:67771-0001

RELEASE EC NO: T2003-0082 DRWN:BLCHEN 2002/09/27 CHKD: 2002/10/03 APPR:WWSCHAN2002/10/03	DESCRIPTION A	QUALITY SYMBOLS	GENERAL TOLERANCES (UNLESS SPECIFIED)	SCALE 2:1	DESIGN UNITS METRIC	THIRD ANGLE PROJECTION	REVISE ON CAD ONLY															
		▼ - 0 □ - 0 S - 0	<table border="1"> <thead> <tr> <th></th> <th>mm</th> <th>INCH</th> </tr> </thead> <tbody> <tr> <td>4 PLACES</td> <td>± ---</td> <td>± ---</td> </tr> <tr> <td>3 PLACES</td> <td>± ---</td> <td>± ---</td> </tr> <tr> <td>2 PLACES</td> <td>± 0.25</td> <td>± ---</td> </tr> <tr> <td>1 PLACE</td> <td>± 0.25</td> <td>± ---</td> </tr> </tbody> </table>		mm	INCH	4 PLACES	± ---	± ---	3 PLACES	± ---	± ---	2 PLACES	± 0.25	± ---	1 PLACE	± 0.25	± ---	DIMENSION STYLE MM ONLY	TITLE CF WIRELESS CARD KIT METAL SHELL LOW		
			mm	INCH																		
		4 PLACES	± ---	± ---																		
3 PLACES	± ---	± ---																				
2 PLACES	± 0.25	± ---																				
1 PLACE	± 0.25	± ---																				
DRAFT WHERE APPLICABLE MUST REMAIN WITHIN DIMENSIONS		DRAWN BY BLADE	DATE 02/06/20	MOLEX INCORPORATED																		
		APPROVED BY ERICK	DATE	MATERIAL NO. 67773-0001	DOCUMENT NO. SD-67773-001	SHEET NO. 1 OF 1	THIS DRAWING CONTAINS INFORMATION THAT IS PROPRIETARY TO MOLEX INCORPORATED AND SHOULD NOT BE USED WITHOUT WRITTEN PERMISSION															

9 8 7 6 5 4 3 2 1