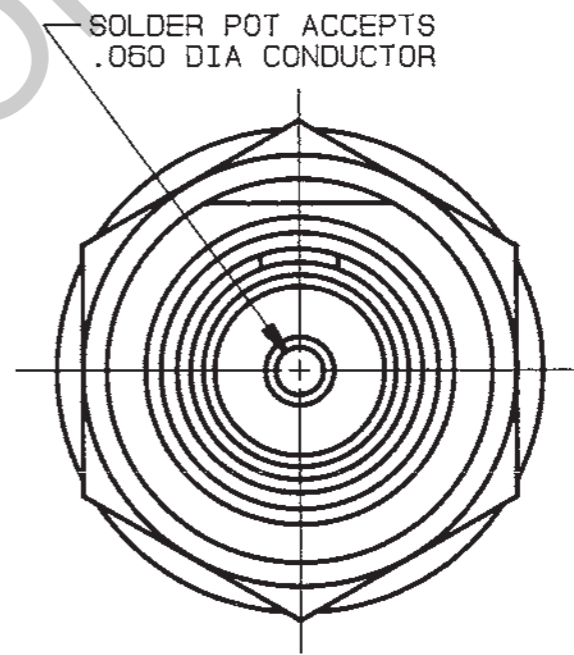
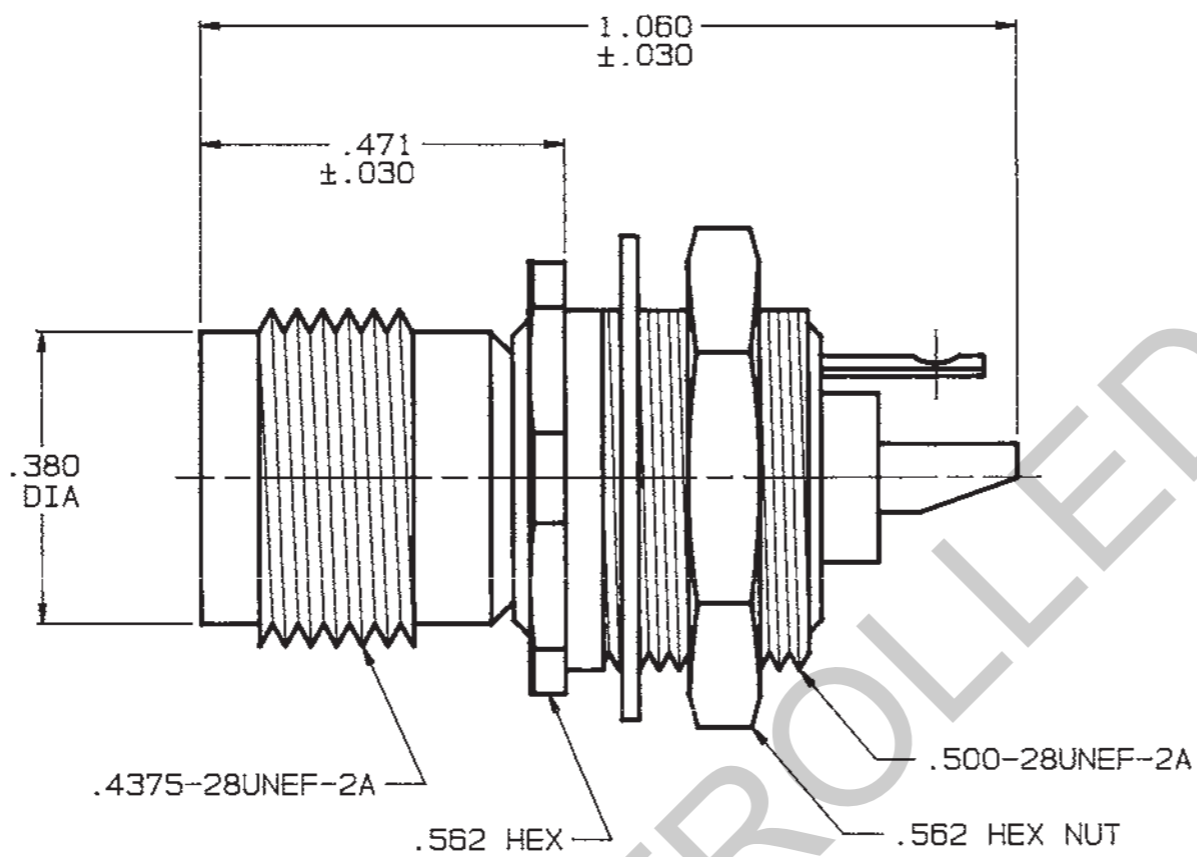


DISK # C6 DWG SIZE B
 DATA CONTAINED IN THIS DOCUMENT IS PROPRIETARY TO TROMPETER ELECTRONICS INC. AND SHALL NOT BE DISCLOSED, COPIED OR USED FOR PROCUREMENT OR MANUFACTURE WITHOUT EXPRESS WRITTEN PERMISSION.

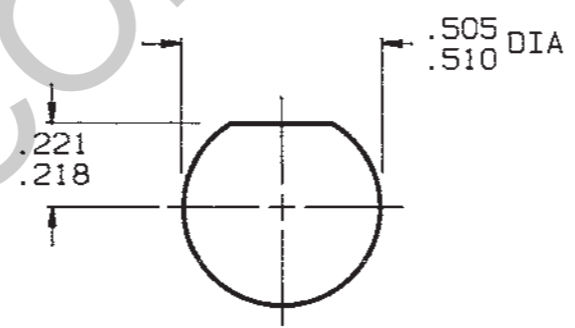
REVISIONS			1-0142		SH 1
REV	EO	DESCRIPTION	DWN	APPROVED	DATE
M	9217	SH 2; NOTE ③ WAS 20 IN/LB	AAH	E.M.	3-7-91

DASH NO	MODEL NO	IMPD OHMS
-1	BJ47	50
-2	UBJ47	75

INCH	MM
.005	0.13
.030	0.76
.060	1.52
.147	3.73
.218	5.54
.221	5.61
.380	9.65
.471	11.96
.505	12.83
.510	12.95
.562	14.27
1.060	26.92



-1 SHOWN



RECOMMENDED
PANEL CUTOUT
 SCALE: 2/1

4. 50 & 75 OHM COAXIAL TNC TYPE INSULATED SOLDER POT BULKHEAD MOUNT RECEPTACLE
3. MAX PANEL THK: .147
2. FINISH: TFS-1A (NICKEL)
1. ALL DIM ARE IN INCHES

QTY	DESCRIPTION	PART NUMBER	ITEM
TOL UNLESS SPECIFIED .XX ± .XXX ± .005 .XXXX ± ANGLES ±			
DWN AAH 2-22-91			
CHK E.M. 3-4-91		MATERIAL	CODE IDENT
ENGR		14949	DRAWING NO. 1-0142
APPR [Signature] 3-6-91		SCALE 4/1	DATE 7-9-71
		SHEET 1 OF 2	