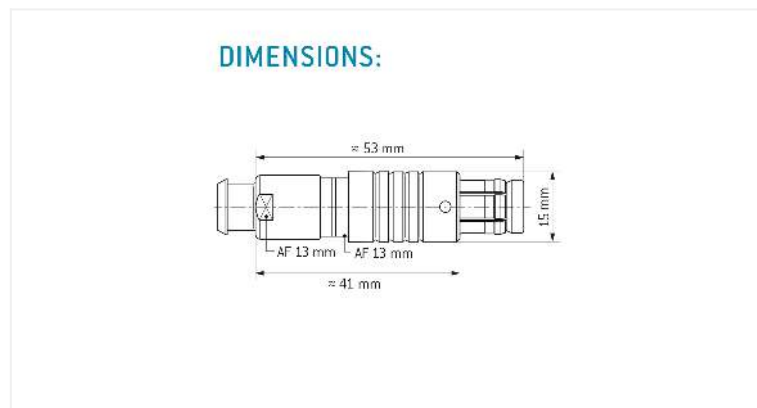
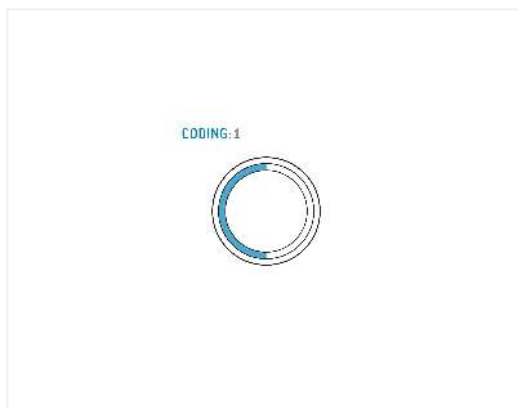


### General information

Part number	S42F1C-P09MM00-750S
Termination	solder
Size	2
Locking principle	push
Coding	1_halfshell
Cable Diameter	cable_mini_75
Cable outlet	bend_relief



### Contact insert description

Number of contacts	9
Contact type	pins
Contact diameter	8_09_1_13mm
Insulator material	peek
Wire cross section	22_awg_20_awg
Termination	solder
Termination diameter	085mm11mm

reverse\_gender\_on\_request

### Technical information

Max. creepage and air clearance distance	08_18_mm	08_38_mm
Nominal current single contact	075_12_a	iec_60512_5_2
Test voltage	135_21_kv_ac	sae_13441

safety\_text

## Mechanical and environmental data

Degree of protection*	ip68
Operating temperature	40_120_c
Mating cycles	5000

mated

## Material and surface treatments

Housing	m_chrome
Contact	cu_alloy_gold

safety\_text\_2  
ul\_text  
illustrative\_text