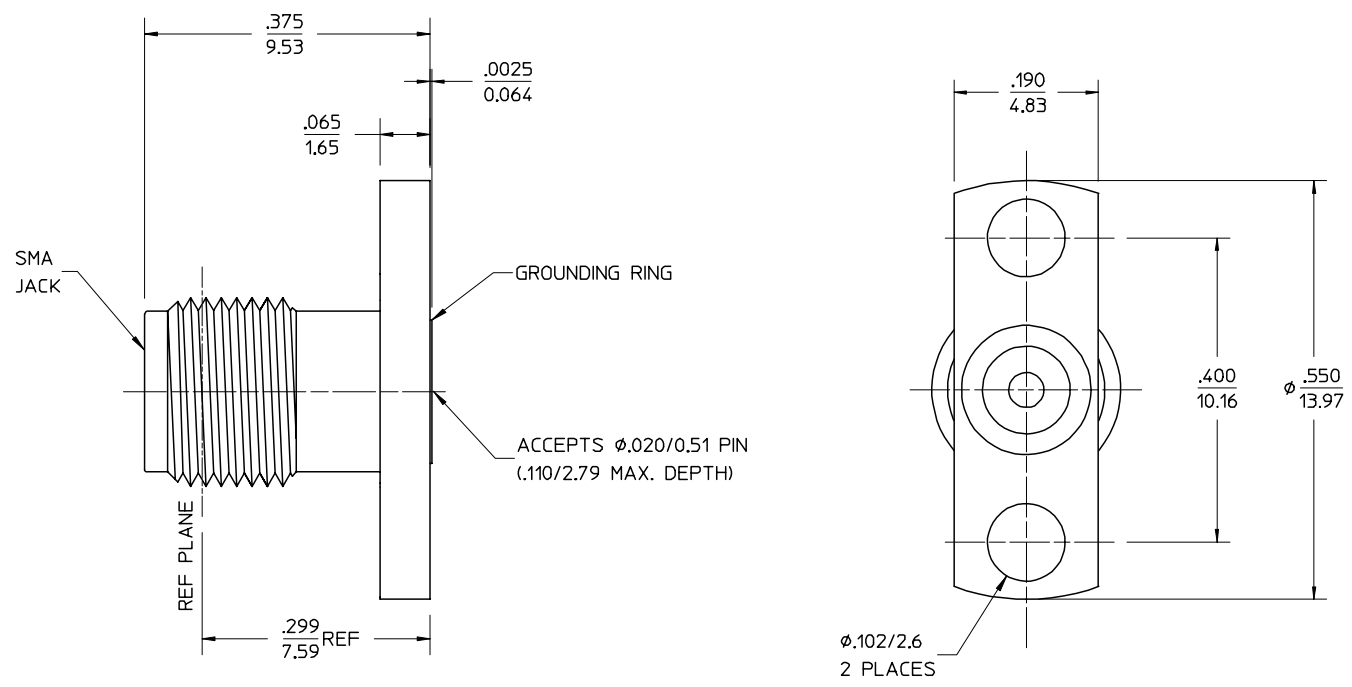


MATERIALS AND FINISHES:
 BODY STAINLESS STEEL
 PASSIVATED

 CENTER CONTACT BERYLLIUM COPPER
 PLATED GOLD

 INSULATOR TEFLON



PART # 73251-0960

MIL-STD-348, FIGURE 310-2	INTERFACE
PS-89675-2910	ELECTRO/MECH PERFORMANCE
SPECIFICATION	DESCRIPTION

CHG: NEW RELEASE	EC NO. URF-0233	DESCRIPTION	UNLESS OTHERWISE SPECIFIED DIMS ARE INCHES AND ANGLES ARE DEGREES. 1. ✓ 63 ALL OVER. 2. NO CHATTER OR NON-UNIFORM SURFACE FINISH ALLOWED. 3. PARTS TO BE FREE OF BURRS & SHARP EDGES .005 MAX BREAK. 4. EXTERNAL THREADS TO BE ROLLED OR SINGLE POINT. 5. DIAMETERS TO BE CONCENTRIC WITHIN .003 TIR.
	DRWN: TEF 06/21/99		
A	CHK: DHG 06/21/99	REV	
	APPR: GMH 06/21/99		

QUALITY SYMBOLS
 MAJOR
 CRITICAL

GENERAL TOLERANCES: (UNLESS SPECIFIED)	SCALE	DESIGN UNITS
4 PLACES ± .0005	INCH	THIRD ANGLE PROJECTION
3 PLACES ± .005		
2 PLACES ± .01		
1 PLACE ± .1		
ANGULAR: ±2°		
DRAFT WHERE APPLICABLE MUST REMAIN WITHIN DIMENSIONS		

DRAWN BY & DATE	EDC 02/19/99
CHECKED BY & DATE	DHG 02/19/99
APPROVED BY & DATE	GMH 02/19/99
CAD FILENAME	

TITLE: SMA JACK, RECEPTACLE, 2 HOLE FLANGE MOUNT, ACCEPTS .020 DIA PIN SMA-JR/F		DIMENSIONS: <input type="checkbox"/> mm INCH <input checked="" type="checkbox"/> INCH mm <input type="checkbox"/> mm ONLY		1	A
MOLEX MOLEX INCORPORATED		MATERIAL NO. SEE NOTE		SHEET NO. 1 of 1	
		DRAWING NO. SD-73251-096		REVISION	
THIS DRAWING CONTAINS INFORMATION THAT IS PROPRIETARY TO MOLEX INCORPORATED AND SHOULD NOT BE USED WITHOUT WRITTEN PERMISSION.				SIZE B	