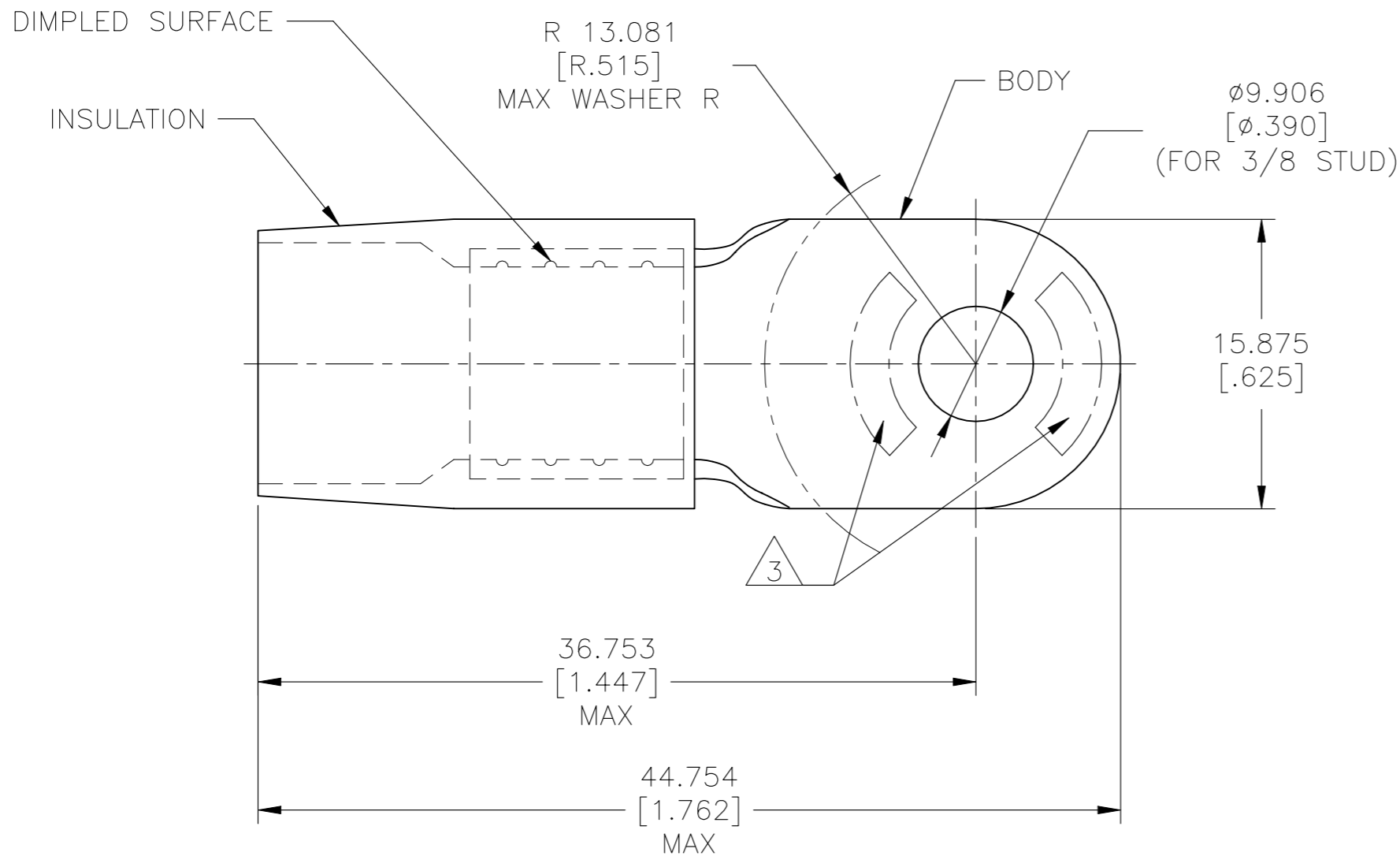
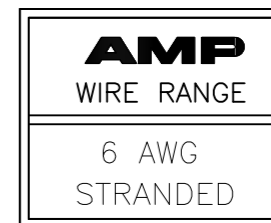


© - TE Connectivity. All Rights Reserved.

REVISIONS

P	LTR	DESCRIPTION	DATE	DWN	APVD
	G3	REVISED PER ECN-22-150900	27APR2022	RK	CSD



- 1 BODY MATERIAL THK 1.143±0.051[.045±.002]
- 2 FOR Ø7.975[Ø.314] MAX WIRE INS.
- △ 3 STAMP AMP 6\* 23-30 APPROX AS SHOWN.

100	LOOSE PC	324049
QTY	PACKAGE TYPE	PART NO

AMP INCORPORATED  
CUSTOMER SERVICE SYSTEMS

FOR ADDITIONAL  
PRODUCT INFORMATION OR  
COPIES OF DRAWINGS  
AND TECHNICAL DOCUMENTS

PRODUCT INFORMATION CENTER  
1-800-522-6752

FOR APPLICATION  
TOOLING INFORMATION

TOOLING ASSISTANCE CENTER  
1-800-722-1111

FOR ORDER ENTRY

1-800-526-5142

THIS DRAWING IS A CONTROLLED DOCUMENT FOR  
AMP INCORPORATED. IT IS SUBJECT TO CHANGE  
AND THE CONTROLLING ENGINEERING ORGANIZATION  
SHOULD BE CONTACTED FOR THE LATEST REVISION.

MAX RECOMMENDED OPERATING  
TEMPERATURE:

105°C[221°F]

VOLTAGE RATING:

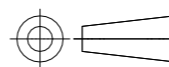
-

CIRCULAR MIL AREA:

10.5-16.8mm<sup>2</sup>[20,800-33,100]  
STRANDED

THIS DRAWING IS A CONTROLLED DOCUMENT.

DIMENSIONS:  
mm [INCHES]



TOLERANCES UNLESS  
OTHERWISE SPECIFIED:

0 PLC	± -
1 PLC	± -
2 PLC	± -
3 PLC	± 0.127[.005]
4 PLC	± -
ANGLES	± -

MATERIAL

BODY: COPPER PER ASTM B-152  
INSULATION: NYLON ASTM D4066  
TYPE I

FINISH

BODY: TIN PLATE PER ASTM B545  
INSULATION: COLOR-BLUE

DWN S.S. GOULDEN 6-18-93

CHK R. HERSEY 6-18-93

APVD B. BARE 6-18-93

PRODUCT SPEC

APPLICATION SPEC

WEIGHT -

CUSTOMER DRAWING



NAME  
TERMINAL, RING TONGUE, TERMINYL  
WIRE SIZE: 6 AWG

SIZE	CAGE CODE	DRAWING NO	RESTRICTED TO
A3	00779	C-324049	-

SCALE NTS SHEET 1 OF 1 REV G3