

# ME MAX 22,5 2-2 BUGY - Electronic housing



2201584

<https://www.phoenixcontact.com/us/products/2201584>

Please be informed that the data shown in this PDF document is generated from our online catalog. Please find the complete data in the user documentation. Our general terms of use for downloads are valid.



DIN rail housing, Complete housing with metal foot catch, tall design, with vents, width: 22.6 mm, height: 99 mm, depth: 113.65 mm, color: blue grey (7031), cross connection: DIN rail connector (optional), number of positions cross connector: 5

## Your advantages

- Easy installation
- Available in overall widths from 6.2 mm ... 90 mm, modular extension possible
- Variety of connection technology
- Can be mounted on the DIN rail
- With DIN-rail-mountable bus connector and power connector system as an option
- Transparent front cover can be swiveled

## Commercial data

Item number	2201584
Packing unit	1 pc
Minimum order quantity	100 pc
Note	Made to order (non-returnable)
Sales key	AC08
Product key	ACHABA
GTIN	4046356868938
Weight per piece (including packing)	65.3 g
Weight per piece (excluding packing)	49.225 g
Customs tariff number	85389099
Country of origin	DE

# ME MAX 22,5 2-2 BUGY - Electronic housing



2201584

<https://www.phoenixcontact.com/us/products/2201584>

## Technical data


### Notes

General	Refer to the data sheet for the range in the download area.
General	Material of contact pads for bus connector, galvanic gold (hard gold)

### Product properties

Product type	Complete housing
Product family	ME MAX...2-2
Max. number of positions	20 (pitch: 3.5 mm) 16 (pitch: 5 mm) 12 (pitch: 7.25 mm/7.5 mm)
Number of rows	2
Type	Complete housing with metal foot catch, tall design
Housing type	DIN rail housing
Ventilation openings present	yes
Housing series	ME-MAX

### Dimensions

Dimensional drawing	
Width	22.6 mm
Height	99 mm
Depth	113.65 mm
Depth from top edge of DIN rail	107 mm

### PCB design

PCB thickness	1.4 mm ... 1.8 mm
---------------	-------------------

### Material specifications

Color	blue grey (7031)
Flammability rating according to UL 94	V0
CTI according to IEC 60112	600
Surface characteristics	untreated
Housing material	Polyamide

### Environmental and real-life conditions

# ME MAX 22,5 2-2 BUGY - Electronic housing



2201584

<https://www.phoenixcontact.com/us/products/2201584>

## Power dissipation single housing for 20 °C

Ambient temperature	20 °C
Reduction factor	1
Mounting position	vertical
Power dissipation	5.7 W

## Power dissipation single housing for 30 °C

Ambient temperature	30 °C
Reduction factor	0.91
Mounting position	vertical
Power dissipation	5.2 W

## Power dissipation single housing for 40 °C

Ambient temperature	40 °C
Reduction factor	0.81
Mounting position	vertical
Power dissipation	4.6 W

## Power dissipation single housing for 50 °C

Ambient temperature	50 °C
Reduction factor	0.7
Mounting position	vertical
Power dissipation	4 W

## Power dissipation single housing for 60 °C

Ambient temperature	60 °C
Reduction factor	0.57
Mounting position	vertical
Power dissipation	2.25 W

## Power dissipation single housing for 70 °C

Ambient temperature	70 °C
Reduction factor	0.49
Mounting position	vertical
Power dissipation	2.8 W

## Vibration test

Specification	IEC 60068-2-6:2007-12
Frequency	10 - 150 - 10 Hz
Sweep speed	1 octave/min
Amplitude	0.15 mm (10 Hz ... 58.1 Hz)
Acceleration	2g (58.1 Hz ... 150 Hz)
Test duration per axis	2.5 h
Test directions	X-, Y- and Z-axis

## Glow-wire test

Specification	IEC 60695-2-11:2014-02
---------------	------------------------

# ME MAX 22,5 2-2 BUGY - Electronic housing



2201584

<https://www.phoenixcontact.com/us/products/2201584>

Temperature	850 °C
Time of exposure	30 s

## Thermal stability / ball thrust test

Specification	IEC 60695-10-2:2014-02
Temperature	125 °C
Test duration	1 h
Force	20 N

## Mechanical strength / tumbling barrel

Specification	IEC 60998-1:2002-12
Height of fall	50 cm
Frequency	10

## Shocks

Specification	IEC 60068-2-27:2008-02
Pulse shape	Half-sine
Acceleration	15g
Shock duration	11 ms
Number of shocks per direction	3
Test directions	X-, Y- and Z-axis (pos. and neg.)

## Degree of protection (IP code)

Specification	IEC 60529:1989-11 + AMD 1:1999-11 + AMD 2:2013-08
---------------	---

## Ambient conditions

Max. IP code to attain	IP20
Ambient temperature (operation)	-40 °C ... 105 °C (depending on power dissipation)
Ambient temperature (storage/transport)	-40 °C ... 55 °C
Ambient temperature (assembly)	-5 °C ... 100 °C
Relative humidity (storage/transport)	80 %

## PCB data

Number of PCB holders	1
Type of PCB mount	Latching
Thickness of the PCB	1.4 mm ... 1.8 mm

## Mounting

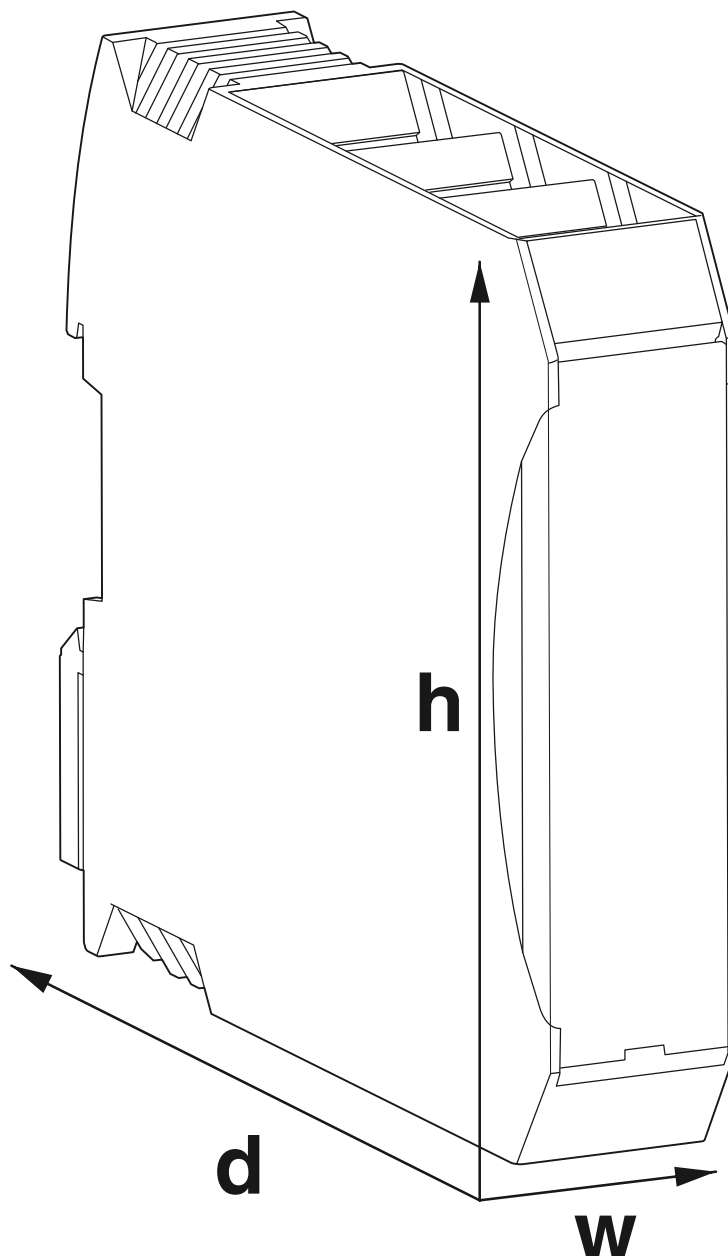
Mounting type	DIN rail mounting
Mounting position	Vertical (horizontal DIN rail)

## Packaging specifications

Type of packaging	packed in cardboard
Outer packaging type	Carton

## Drawings

Dimensional drawing



Schematic figure for illustrating the item dimensions. The figure is not of the desired product. For further details, refer to the product drawings in the "Downloads" tab.

# ME MAX 22,5 2-2 BUGY - Electronic housing



2201584

<https://www.phoenixcontact.com/us/products/2201584>

## Approvals

To download certificates, visit the product detail page: <https://www.phoenixcontact.com/us/products/2201584>



**UL Recognized**

Approval ID: FILE E 240868

# ME MAX 22,5 2-2 BUGY - Electronic housing



2201584

<https://www.phoenixcontact.com/us/products/2201584>

## Classifications

### ECLASS

ECLASS-11.0	27182702
ECLASS-13.0	27190101

### ETIM

ETIM 8.0	EC001031
----------	----------

### UNSPSC

UNSPSC 21.0	31261500
-------------	----------

# ME MAX 22,5 2-2 BUGY - Electronic housing



2201584

<https://www.phoenixcontact.com/us/products/2201584>

## Environmental product compliance

China RoHS	Environmentally friendly use period: unlimited = EFUP-e No hazardous substances above threshold values
------------	---



2201584

<https://www.phoenixcontact.com/us/products/2201584>

## Mandatory accessories

### MCO 1,5/ 5-G1L-3,5 KMGY - PCB header

2278380

<https://www.phoenixcontact.com/us/products/2278380>



PCB headers, nominal cross section: 1.5 mm<sup>2</sup>, color: light grey, nominal current: 8 A, rated voltage (III/2): 160 V, contact surface: Tin, contact connection type: Pin, number of potentials: 5, number of rows: 1, number of positions: 5, number of connections: 5, product range: MCO 1,5/...-G1L, pitch: 3.5 mm, mounting: Wave soldering, pin layout: Linear pinning, solder pin [P]: 2 mm, locking: without, type of packaging: packed in cardboard, Product with pin output on left side

### MCO 1,5/ 5-G1R-3,5 KMGY - PCB header

2278351

<https://www.phoenixcontact.com/us/products/2278351>



PCB headers, nominal cross section: 1.5 mm<sup>2</sup>, color: light grey, nominal current: 8 A, rated voltage (III/2): 160 V, contact surface: Tin, contact connection type: Pin, number of potentials: 5, number of rows: 1, number of positions: 5, number of connections: 5, product range: MCO 1,5/...-G1R, pitch: 3.5 mm, mounting: Wave soldering, pin layout: Linear pinning, solder pin [P]: 2 mm, locking: without, type of packaging: packed in cardboard, Product with pin output on right side

# ME MAX 22,5 2-2 BUGY - Electronic housing

2201584

<https://www.phoenixcontact.com/us/products/2201584>

## MSTBO 2,5/ 4-G1PL GY7035 - PCB header

2200325

<https://www.phoenixcontact.com/us/products/2200325>



PCB headers, nominal cross section: 2.5 mm<sup>2</sup>, color: light grey, nominal current: 16 A, rated voltage (III/2): 320 V, contact surface: Tin, contact connection type: Pin, number of rows: 1, number of positions: 4, product range: MSTBO 2,5/..-G1PL, pitch: 5 mm, mounting: Wave soldering, pin layout: Linear pinning, solder pin [P]: 3.5 mm, number of solder pins per potential: 1, plug-in system: COMBICON MSTB 2,5, locking: without, type of packaging: packed in cardboard, Product with pin output on left side

---

## MSTBO 2,5/ 4-G1PR GY7035 - PCB header

2200326

<https://www.phoenixcontact.com/us/products/2200326>



PCB headers, nominal cross section: 2.5 mm<sup>2</sup>, color: light grey, nominal current: 16 A, rated voltage (III/2): 320 V, contact surface: Tin, contact connection type: Pin, number of rows: 1, number of positions: 4, product range: MSTBO 2,5/..-G1PR, pitch: 5 mm, mounting: Wave soldering, pin layout: Linear pinning, solder pin [P]: 3.5 mm, number of solder pins per potential: 1, plug-in system: COMBICON MSTB 2,5, locking: without, type of packaging: packed in cardboard, Product with pin output on right side

# ME MAX 22,5 2-2 BUGY - Electronic housing

2201584

<https://www.phoenixcontact.com/us/products/2201584>

## GMSTBO 2,5 HV/ 3-GL-7,25 THR - PCB header

2199663

<https://www.phoenixcontact.com/us/products/2199663>



PCB headers, nominal cross section: 2.5 mm<sup>2</sup>, color: black, nominal current: 16 A, rated voltage (III/2): 630 V, contact connection type: Pin, number of potentials: 3, number of rows: 1, number of positions: 3, number of connections: 3, product range: GMSTBO 2,5 HV, pitch: 7.25 mm, mounting: THR soldering, pin layout: Linear pinning, solder pin [P]: 2.1 mm, number of solder pins per potential: 1, plug-in system: COMBICON MSTB 2,5, Pin connector pattern alignment: Standard, type of packaging: packed in cardboard, Product with pin output on left side

---

## GMSTBO 2,5 HV/ 3-GR-7,25 THR - PCB header

2199566

<https://www.phoenixcontact.com/us/products/2199566>



PCB headers, nominal cross section: 2.5 mm<sup>2</sup>, color: black, nominal current: 16 A, rated voltage (III/2): 630 V, contact connection type: Pin, number of potentials: 3, number of rows: 1, number of positions: 3, number of connections: 3, product range: GMSTBO 2,5 HV, pitch: 7.25 mm, mounting: THR soldering, pin layout: Linear pinning, solder pin [P]: 2.1 mm, number of solder pins per potential: 1, plug-in system: COMBICON MSTB 2,5, Pin connector pattern alignment: Standard, type of packaging: packed in cardboard, Product with pin output on right side

# ME MAX 22,5 2-2 BUGY - Electronic housing

2201584

<https://www.phoenixcontact.com/us/products/2201584>

## MSTBO 2,5/ 4-G1L THRR44 BK - PCB header

2697194

<https://www.phoenixcontact.com/us/products/2697194>



PCB headers, nominal cross section: 2.5 mm<sup>2</sup>, color: black, nominal current: 16 A, rated voltage (III/2): 320 V, contact surface: Tin, contact connection type: Pin, number of rows: 1, number of positions: 4, product range: MSTBO 2,5/..-G1L-THR, pitch: 5 mm, mounting: THR soldering, pin layout: Linear pinning, solder pin [P]: 2.5 mm, number of solder pins per potential: 1, plug-in system: COMBICON MSTB 2,5, locking: without, type of packaging: 44 mm wide tape, Product with pin output on left side

---

## MSTBO 2,5/ 4-G1R THRR44 BK - PCB header

2697204

<https://www.phoenixcontact.com/us/products/2697204>



PCB headers, nominal cross section: 2.5 mm<sup>2</sup>, color: black, nominal current: 16 A, rated voltage (III/2): 320 V, contact surface: Tin, contact connection type: Pin, number of rows: 1, number of positions: 4, product range: MSTBO 2,5/..-G1R-THR, pitch: 5 mm, mounting: THR soldering, pin layout: Linear pinning, solder pin [P]: 2.5 mm, number of solder pins per potential: 1, plug-in system: COMBICON MSTB 2,5, locking: without, type of packaging: 44 mm wide tape, Product with pin output on right side

# ME MAX 22,5 2-2 BUGY - Electronic housing

2201584

<https://www.phoenixcontact.com/us/products/2201584>

## MSTBO 2,5/ 4-G1L KMGY - PCB header

2907774

<https://www.phoenixcontact.com/us/products/2907774>



PCB headers, nominal cross section: 2.5 mm<sup>2</sup>, color: light grey, nominal current: 12 A, rated voltage (III/2): 320 V, contact surface: Tin, contact connection type: Pin, number of potentials: 4, number of rows: 1, number of positions: 4, number of connections: 4, product range: MSTBO 2,5/...-G1L, pitch: 5 mm, mounting: Wave soldering, pin layout: Linear pinning, solder pin [P]: 3.5 mm, number of solder pins per potential: 1, plug-in system: COMBICON MSTB 2,5, locking: without, type of packaging: packed in cardboard, Product with pin output on left side

## MSTBO 2,5/ 4-G1R KMGY - PCB header

2907787

<https://www.phoenixcontact.com/us/products/2907787>



PCB headers, nominal cross section: 2.5 mm<sup>2</sup>, color: light grey, nominal current: 12 A, rated voltage (III/2): 320 V, contact surface: Tin, contact connection type: Pin, number of potentials: 4, number of rows: 1, number of positions: 4, number of connections: 4, product range: MSTBO 2,5/...-G1R, pitch: 5 mm, connection method: pluggable, mounting: Wave soldering, pin layout: Linear pinning, solder pin [P]: 3.5 mm, number of solder pins per potential: 1, plug-in system: COMBICON MSTB 2,5, locking: without, type of packaging: packed in cardboard, Product with pin output on right side

# ME MAX 22,5 2-2 BUGY - Electronic housing

2201584

<https://www.phoenixcontact.com/us/products/2201584>

## MKDSO 1,5/ 5-L-3,5 KMGY - PCB terminal block

2278393

<https://www.phoenixcontact.com/us/products/2278393>



PCB terminal block, nominal current: 8 A, rated voltage (III/2): 160 V, nominal cross section: 1.5 mm<sup>2</sup>, number of potentials: 5, number of rows: 1, number of positions per row: 5, product range: MKDSO 1,5/...-L, pitch: 3.5 mm, connection method: Screw connection with tension sleeve, mounting: Wave soldering, conductor/PCB connection direction: 0 °, color: light grey, Pin layout: Linear pinning, Solder pin [P]: 2.3 mm, number of solder pins per potential: 1, type of packaging: packed in cardboard. Product with pin output on left side

---

## MKDSO 1,5/ 5-R-3,5 KMGY - PCB terminal block

2278416

<https://www.phoenixcontact.com/us/products/2278416>



PCB terminal block, nominal current: 8 A, rated voltage (III/2): 160 V, nominal cross section: 1.5 mm<sup>2</sup>, number of potentials: 5, number of rows: 1, number of positions per row: 5, product range: MKDSO 1,5/...-R, pitch: 3.5 mm, connection method: Screw connection with tension sleeve, mounting: Wave soldering, conductor/PCB connection direction: 0 °, color: light grey, Pin layout: Linear pinning, Solder pin [P]: 2.3 mm, number of solder pins per potential: 1, type of packaging: packed in cardboard. Product with pin output on right side

# ME MAX 22,5 2-2 BUGY - Electronic housing

2201584

<https://www.phoenixcontact.com/us/products/2201584>

## MKDSO 2,5/ 4-L KMGY - PCB terminal block

2908485

<https://www.phoenixcontact.com/us/products/2908485>



PCB terminal block, nominal current: 24 A, rated voltage (III/2): 400 V, nominal cross section: 2.5 mm<sup>2</sup>, number of potentials: 4, number of rows: 1, number of positions per row: 4, product range: MKDSO 2,5/...-L, pitch: 5 mm, connection method: Screw connection with tension sleeve, mounting: Wave soldering, conductor/PCB connection direction: 0 °, color: light grey, Pin layout: Linear pinning, Solder pin [P]: 3.5 mm, number of solder pins per potential: 1, type of packaging: packed in cardboard. Product with pin output on left side

## MKDSO 2,5/ 4-R KMGY - PCB terminal block

2908472

<https://www.phoenixcontact.com/us/products/2908472>



PCB terminal block, nominal current: 24 A, rated voltage (III/2): 400 V, nominal cross section: 2.5 mm<sup>2</sup>, number of potentials: 4, number of rows: 1, number of positions per row: 4, product range: MKDSO 2,5/...-R, pitch: 5 mm, connection method: Screw connection with tension sleeve, mounting: Wave soldering, conductor/PCB connection direction: 0 °, color: light grey, Pin layout: Linear pinning, Solder pin [P]: 3.5 mm, number of solder pins per potential: 1, type of packaging: packed in cardboard. Product with pin output on right side

# ME MAX 22,5 2-2 BUGY - Electronic housing

2201584

<https://www.phoenixcontact.com/us/products/2201584>

## MKDSO 2,5 HV/ 3L-7,5 KMGY - PCB terminal block

2890946

<https://www.phoenixcontact.com/us/products/2890946>



PCB terminal block, nominal current: 24 A, rated voltage (III/2): 630 V, nominal cross section: 2.5 mm<sup>2</sup>, number of rows: 1, number of positions per row: 3, product range: MKDSO 2,5 HV/...-L, pitch: 7.5 mm, connection method: Screw connection with tension sleeve, mounting: Wave soldering, conductor/PCB connection direction: 0 °, color: light grey, Pin layout: Linear pinning, Solder pin [P]: 3.5 mm, number of solder pins per potential: 1. Product with pin output on left side

---

## MKDSO 2,5 HV/ 3R-7,5 KMGY - PCB terminal block

2890959

<https://www.phoenixcontact.com/us/products/2890959>



PCB terminal block, nominal current: 24 A, rated voltage (III/2): 630 V, nominal cross section: 2.5 mm<sup>2</sup>, number of rows: 1, number of positions per row: 3, product range: MKDSO 2,5 HV/...-R, pitch: 7.5 mm, connection method: Screw connection with tension sleeve, mounting: Wave soldering, conductor/PCB connection direction: 0 °, color: light grey, Pin layout: Linear pinning, Solder pin [P]: 3.5 mm, number of solder pins per potential: 1. Product with pin output on right side



# ME MAX 22,5 2-2 BUGY - Electronic housing

2201584

<https://www.phoenixcontact.com/us/products/2201584>

## FKDSO 2,5/ 4-L KMGY - PCB terminal block

2200319

<https://www.phoenixcontact.com/us/products/2200319>



PCB terminal block, nominal current: 22 A, rated voltage (III/2): 250 V, nominal cross section: 2.5 mm<sup>2</sup>, number of potentials: 4, number of rows: 1, number of positions per row: 4, product range: FKDSO 2,5/...-L, pitch: 5 mm, connection method: Push-in spring connection, mounting: Wave soldering, conductor/PCB connection direction: 0 °, color: light grey, Pin layout: Linear pinning, Solder pin [P]: 3.5 mm, number of solder pins per potential: 1, type of packaging: packed in cardboard. Product with pin output on left side

---

## FKDSO 2,5/ 4-R KMGY - PCB terminal block

2200320

<https://www.phoenixcontact.com/us/products/2200320>



PCB terminal block, nominal current: 22 A, rated voltage (III/2): 250 V, nominal cross section: 2.5 mm<sup>2</sup>, number of potentials: 4, number of rows: 1, number of positions per row: 4, product range: FKDSO 2,5/...-R, pitch: 5 mm, connection method: Push-in spring connection, mounting: Wave soldering, conductor/PCB connection direction: 0 °, color: light grey, Pin layout: Linear pinning, Solder pin [P]: 3.5 mm, number of solder pins per potential: 1, type of packaging: packed in cardboard. Product with pin output on right side

# ME MAX 22,5 2-2 BUGY - Electronic housing

2201584

<https://www.phoenixcontact.com/us/products/2201584>

## FKDSO 2,5 HV/3-L 7,5 GY7035 - PCB terminal block

2201128

<https://www.phoenixcontact.com/us/products/2201128>



PCB terminal block, nominal current: 24 A, rated voltage (III/2): 630 V, nominal cross section: 2.5 mm<sup>2</sup>, number of potentials: 3, number of rows: 1, number of positions per row: 3, product range: FKDSO 2,5 HV/..-L, pitch: 7.5 mm, connection method: Push-in spring connection, mounting: Wave soldering, conductor/PCB connection direction: 0 °, color: light grey, Pin layout: Linear pinning, Solder pin [P]: 3.53 mm, number of solder pins per potential: 1, type of packaging: packed in cardboard. Product with pin output on left side

---

## FKDSO 2,5 HV/3-R 7,5 GY7035 - PCB terminal block

2201129

<https://www.phoenixcontact.com/us/products/2201129>



PCB terminal block, nominal current: 24 A, rated voltage (III/2): 630 V, nominal cross section: 2.5 mm<sup>2</sup>, number of potentials: 3, number of rows: 1, number of positions per row: 3, product range: FKDSO 2,5 HV/..-R, pitch: 7.5 mm, connection method: Push-in spring connection, mounting: Wave soldering, conductor/PCB connection direction: 0 °, color: light grey, Pin layout: Linear pinning, Solder pin [P]: 3.53 mm, number of solder pins per potential: 1, type of packaging: packed in cardboard. Product with pin output on right side

# ME MAX 22,5 2-2 BUGY - Electronic housing

2201584

<https://www.phoenixcontact.com/us/products/2201584>

## MC 1,5/ 5-ST-3,5 GY7035 - PCB connector

1769087

<https://www.phoenixcontact.com/us/products/1769087>



PCB connector, nominal cross section: 1.5 mm<sup>2</sup>, color: light grey, nominal current: 8 A, rated voltage (III/2): 160 V, contact surface: Tin, contact connection type: Socket, number of potentials: 5, number of rows: 1, number of positions: 5, number of connections: 5, product range: MC 1,5/...-ST, pitch: 3.5 mm, connection method: Screw connection with tension sleeve, screw head form: L Slotted, conductor/PCB connection direction: 0 °, plug-in system: COMBICON MC 1,5, locking: without, mounting: without, type of packaging: packed in cardboard

---

## FMC 1,5/ 5-ST-3,5 GY7035 - Printed-circuit board connector

1773581

<https://www.phoenixcontact.com/us/products/1773581>



PCB connector, nominal cross section: 1.5 mm<sup>2</sup>, color: light grey, nominal current: 8 A, rated voltage (III/2): 160 V, contact surface: Tin, contact connection type: Socket, number of potentials: 5, number of rows: 1, number of positions: 5, number of connections: 5, product range: FMC 1,5/...-ST, pitch: 3.5 mm, connection method: Push-in spring connection, conductor/PCB connection direction: 0 °, plug-in system: COMBICON MC 1,5, locking: without, mounting: without, type of packaging: packed in cardboard

# ME MAX 22,5 2-2 BUGY - Electronic housing

2201584

<https://www.phoenixcontact.com/us/products/2201584>

## FK-MCP 1,5/ 5-ST-3,5 GY7035 - PCB connector

1773604

<https://www.phoenixcontact.com/us/products/1773604>



PCB connector, nominal cross section: 1.5 mm<sup>2</sup>, color: light grey, nominal current: 8 A, rated voltage (III/2): 160 V, contact surface: Tin, contact connection type: Socket, number of potentials: 5, number of rows: 1, number of positions: 5, number of connections: 5, product range: FK-MCP 1,5/...-ST, pitch: 3.5 mm, connection method: Push-in spring connection, conductor/PCB connection direction: 0 °, plug-in system: COMBICON MC 1,5, locking: without, mounting: without, type of packaging: packed in cardboard

---

## PSPT 2,5/ 4-ST KMGY - Printed-circuit board connector

2202344

<https://www.phoenixcontact.com/us/products/2202344>



PCB connector, nominal cross section: 2.5 mm<sup>2</sup>, color: light grey, nominal current: 16 A, rated voltage (III/2): 300 V, contact surface: Tin, contact connection type: Socket, number of potentials: 4, number of rows: 1, number of positions: 4, number of connections: 4, product range: PSPT 2,5/...-ST, pitch: 5 mm, connection method: Push-in spring connection, conductor/PCB connection direction: 0 °, locking clip: - Locking clip, locking: without, mounting: without, type of packaging: packed in cardboard, Color of the spring lever: orange

# ME MAX 22,5 2-2 BUGY - Electronic housing

2201584

<https://www.phoenixcontact.com/us/products/2201584>

## MSTBT 2,5 HC/ 4-STP GY7035 - Printed-circuit board connector

2200332

<https://www.phoenixcontact.com/us/products/2200332>



PCB connector, nominal cross section: 2.5 mm<sup>2</sup>, color: light grey, nominal current: 16 A, rated voltage (III/2): 320 V, contact surface: Tin, contact connection type: Socket, number of rows: 1, number of positions: 4, product range: MSTBT 2,5 HC/...-STP, pitch: 5 mm, connection method: Screw connection with tension sleeve, conductor/PCB connection direction: 0 °, locking clip: - Locking clip, plug-in system: COMBICON MSTB 2,5 HC, locking: without, mounting: without

---

## GMSTBT 2,5 HV/3-ST-7,25 GY7035 - Printed-circuit board connector

2199553

<https://www.phoenixcontact.com/us/products/2199553>



PCB connector, nominal cross section: 2.5 mm<sup>2</sup>, color: light grey, nominal current: 16 A, rated voltage (III/2): 1000 V, contact surface: Tin, contact connection type: Socket, number of rows: 1, number of positions: 3, product range: GMSTBT 2,5 HV/...-ST, pitch: 7.25 mm, connection method: Screw connection with tension sleeve, conductor/PCB connection direction: 0 °, locking clip: - Locking clip, locking: without, mounting: without, type of packaging: packed in cardboard

# ME MAX 22,5 2-2 BUGY - Electronic housing

2201584

<https://www.phoenixcontact.com/us/products/2201584>

## MSTBO 2,5/ 4-G1L KMGY AU - PCB header

1077607

<https://www.phoenixcontact.com/us/products/1077607>



PCB headers, color: light grey, contact surface: Gold, contact connection type: Pin, number of rows: 1, number of positions: 4, product range: MSTBO 2,5/..-G1L Au, pitch: 5 mm, mounting: Wave soldering, pin layout: Linear pinning, solder pin [P]: 3.5 mm, number of solder pins per potential: 1, plug-in system: COMBICON MSTB 2,5, Pin connector pattern alignment: Orthogonal, locking: without, type of packaging: packed in cardboard, Product with pin output on left side

---

## MSTBO 2,5/ 4-G1R KMGY AU - PCB header

1077608

<https://www.phoenixcontact.com/us/products/1077608>



PCB headers, color: light grey, contact surface: Gold, contact connection type: Pin, number of rows: 1, number of positions: 4, product range: MSTBO 2,5/..-G1R Au, pitch: 5 mm, mounting: Wave soldering, pin layout: Linear pinning, solder pin [P]: 3.5 mm, number of solder pins per potential: 1, plug-in system: COMBICON MSTB 2,5, Pin connector pattern alignment: Orthogonal, locking: without, type of packaging: packed in cardboard, Product with pin output on right side

# ME MAX 22,5 2-2 BUGY - Electronic housing

2201584

<https://www.phoenixcontact.com/us/products/2201584>

## MSTBO 2,5/ 4-G1L THRR44 BK AU - PCB header

1077613

<https://www.phoenixcontact.com/us/products/1077613>



PCB headers, color: black, contact surface: Gold, contact connection type: Pin, number of positions: 4, product range: MSTBO 2,5/..-G1L THR Au, pitch: 5 mm, mounting: THR soldering, pin layout: Linear pinning, solder pin [P]: 2.5 mm, number of solder pins per potential: 1, plug-in system: COMBICON MSTB 2,5, type of packaging: 44 mm wide tape, Article with lateral pin exit

---

## MSTBO 2,5/ 4-G1R THRR44 BK AU - PCB header

1077614

<https://www.phoenixcontact.com/us/products/1077614>



PCB headers, color: black, contact surface: Gold, contact connection type: Pin, number of positions: 4, product range: MSTBO 2,5/..-G1R THR Au, pitch: 5 mm, mounting: THR soldering, pin layout: Linear pinning, solder pin [P]: 2.5 mm, number of solder pins per potential: 1, plug-in system: COMBICON MSTB 2,5, type of packaging: 44 mm wide tape, Product with pin output on right side

---

## Accessories

## ME MAX 22,5 2-2 BUGY - Electronic housing

2201584

<https://www.phoenixcontact.com/us/products/2201584>



## ME FE-CONTACT - Functional ground contact

2908294

<https://www.phoenixcontact.com/us/products/2908294>



DIN rail housing, FE contact with soldering lug, width: 5 mm, height: 15.25 mm, depth: 9.5 mm, color: silver

---

## ME MAX B-22,5 KMGY - Filler plugs

2707929

<https://www.phoenixcontact.com/us/products/2707929>



DIN rail housing, Filler plug for unoccupied terminal points, width: 20 mm, height: 21.6 mm, depth: 8.1 mm, color: light grey (7035)



# ME MAX 22,5 2-2 BUGY - Electronic housing



2201584

<https://www.phoenixcontact.com/us/products/2201584>

## HS LC-H-D3/ R1XC1 - Fiber optic

2202313

<https://www.phoenixcontact.com/us/products/2202313>

Multiple light guides, passive, rigid, can be used for the ME, ME-MAX, ME-IO, ME PLC, and EH housing ranges (housing must be processed)



---

## HS LC-H-5X2/ R1XC1 - Fiber optic

2202314

<https://www.phoenixcontact.com/us/products/2202314>

Single light guide, passive, rigid, can be used for the ME, ME-MAX, ME-IO, ME PLC, and EH housing ranges (housing must be processed)



# ME MAX 22,5 2-2 BUGY - Electronic housing



2201584

<https://www.phoenixcontact.com/us/products/2201584>

## HS LC-H-D3/ R2XC1-5,08 - Fiber optic

2202315

<https://www.phoenixcontact.com/us/products/2202315>

Multiple light guides, passive, rigid, can be used for the ME, ME-MAX, ME-IO, ME PLC, and EH housing ranges (housing must be processed)



---

## HS LC-H-D2/ R2XC1-2,54 - Fiber optic

2202316

<https://www.phoenixcontact.com/us/products/2202316>

Multiple light guides with glare protection, passive, rigid, can be used for the ME, ME-MAX, ME-IO, ME PLC, and EH housing ranges (housing must be processed)



# ME MAX 22,5 2-2 BUGY - Electronic housing

2201584

<https://www.phoenixcontact.com/us/products/2201584>

## HS LC-H-D2/ R2XC2-2,54 - Fiber optic

2202317

<https://www.phoenixcontact.com/us/products/2202317>



Multiple light guides with glare protection, passive, rigid, can be used for the ME, ME-MAX, ME-IO, ME PLC, and EH housing ranges (housing must be processed)

---

## HS LC-H-D2/ R2XC5-2,54 - Fiber optic

2202318

<https://www.phoenixcontact.com/us/products/2202318>



Multiple light guides with glare protection, passive, rigid, can be used for the ME, ME-MAX, ME-IO, ME PLC, and EH housing ranges (housing must be processed)

# ME MAX 22,5 2-2 BUGY - Electronic housing

2201584

<https://www.phoenixcontact.com/us/products/2201584>

## HS LC-H-D2/ R2XC10-2,54 - Fiber optic

2202319

<https://www.phoenixcontact.com/us/products/2202319>

Multiple light guides with glare protection, passive, rigid, can be used for the ME, ME-MAX, ME-IO, ME PLC, and EH housing ranges (housing must be processed)



---

## HS LC-H-D2/ R4XC2-2,54 - Fiber optic

2202320

<https://www.phoenixcontact.com/us/products/2202320>

Multiple light guides with glare protection, passive, rigid, can be used for the ME, ME-MAX, ME-IO, ME PLC, and EH housing ranges (housing must be processed)



# ME MAX 22,5 2-2 BUGY - Electronic housing

2201584

<https://www.phoenixcontact.com/us/products/2201584>

## HS LC-H-D2/ R4XC5-2,54 - Fiber optic

2202321

<https://www.phoenixcontact.com/us/products/2202321>



Multiple light guides with glare protection, passive, rigid, can be used for the ME, ME-MAX, ME-IO, ME PLC, and EH housing ranges (housing must be processed)

---

## HS LC-H-D2/ R4XC9-2,54 - Fiber optic

2202322

<https://www.phoenixcontact.com/us/products/2202322>



Multiple light guides with glare protection, passive, rigid, can be used for the ME, ME-MAX, ME-IO, ME PLC, and EH housing ranges (housing must be processed)

## ME MAX 22,5 2-2 BUGY - Electronic housing

2201584

<https://www.phoenixcontact.com/us/products/2201584>



## HS LC-H-D2/ R4XC10-2,54 - Fiber optic

2202323

<https://www.phoenixcontact.com/us/products/2202323>



Multiple light guides with glare protection, passive, rigid, can be used for the ME, ME-MAX, ME-IO, ME PLC, and EH housing ranges (housing must be processed)

---

## ME BUS FE CONTACT - Functional ground contact

2278076

<https://www.phoenixcontact.com/us/products/2278076>



DIN rail housing, FE contact, width: 5 mm, height: 15.25 mm, depth: 9.5 mm, color: silver

# ME MAX 22,5 2-2 BUGY - Electronic housing

2201584

<https://www.phoenixcontact.com/us/products/2201584>

## HS LC-H-D2C/ R2XC1-2,54 - Fiber optic

1036658

<https://www.phoenixcontact.com/us/products/1036658>



Multiple light guides with glare protection, passive, rigid, can be used for the ME, ME-MAX, ME-IO, ME PLC, and EH housing ranges (housing must be processed)

---

## HS LC-H-D2C/ R2XC2-2,54 - Fiber optic

1043044

<https://www.phoenixcontact.com/us/products/1043044>



Multiple light guides with glare protection, passive, rigid, can be used for the ME, ME-MAX, ME-IO, ME PLC, and EH housing ranges (housing must be processed)

# ME MAX 22,5 2-2 BUGY - Electronic housing

2201584

<https://www.phoenixcontact.com/us/products/2201584>

## HS LC-H-D2C/ R2XC5-2,54 - Fiber optic

1071310

<https://www.phoenixcontact.com/us/products/1071310>



Multiple light guides with glare protection, passive, rigid, can be used for the ME, ME-MAX, ME-IO, ME PLC, and EH housing ranges (housing must be processed)

---

## HS LC-H-D2C/ R2XC10-2,54 - Fiber optic

1071314

<https://www.phoenixcontact.com/us/products/1071314>



Multiple light guides with glare protection, passive, rigid, can be used for the ME, ME-MAX, ME-IO, ME PLC, and EH housing ranges (housing must be processed)



# ME MAX 22,5 2-2 BUGY - Electronic housing

2201584

<https://www.phoenixcontact.com/us/products/2201584>

## HS LC-H-D2C/ R4XC2-2,54 - Fiber optic

1071316

<https://www.phoenixcontact.com/us/products/1071316>



Multiple light guides with glare protection, passive, rigid, can be used for the ME, ME-MAX, ME-IO, ME PLC, and EH housing ranges (housing must be processed)

---

## HS LC-H-D2C/ R4XC5-2,54 - Fiber optic

1071318

<https://www.phoenixcontact.com/us/products/1071318>



Multiple light guides with glare protection, passive, rigid, can be used for the ME, ME-MAX, ME-IO, ME PLC, and EH housing ranges (housing must be processed)

# ME MAX 22,5 2-2 BUGY - Electronic housing

2201584

<https://www.phoenixcontact.com/us/products/2201584>

## HS LC-H-D2C/ R4XC9-2,54 - Fiber optic

1071321

<https://www.phoenixcontact.com/us/products/1071321>

Multiple light guides with glare protection, passive, rigid, can be used for the ME, ME-MAX, ME-IO, ME PLC, and EH housing ranges (housing must be processed)



---

## HS LC-H-D2C/ R4XC10-2,54 - Fiber optic

1071329

<https://www.phoenixcontact.com/us/products/1071329>

Multiple light guides with glare protection, passive, rigid, can be used for the ME, ME-MAX, ME-IO, ME PLC, and EH housing ranges (housing must be processed)



## ME MAX 22,5 2-2 BUGY - Electronic housing

2201584

<https://www.phoenixcontact.com/us/products/2201584>



## ME MF 17,5 - Base latch

2908281

<https://www.phoenixcontact.com/us/products/2908281>

Metal foot catch with spring, for intermediate elements.



---

## ME 22,5 TBUS 1,5/4P1S KMGY - DIN rail bus connectors

2201732

<https://www.phoenixcontact.com/us/products/2201732>

DIN rail connector, color: light grey, nominal current: 8 A, 8 A (parallel contacts) (Serial contacts), rated voltage (III/2): 50 V, number of positions: 5, pitch: 3.81 mm, mounting: DIN rail mounting, locking: without, mounting: without, Item with gold-plated contacts, bus connectors for connecting with electronics housings, 4 parallel contacts/1 serial contact



# ME MAX 22,5 2-2 BUGY - Electronic housing

2201584

<https://www.phoenixcontact.com/us/products/2201584>

## ME 22,5 TBUS 1,5/ 5-ST-3,81 KMGY - DIN rail bus connectors

2713722

<https://www.phoenixcontact.com/us/products/2713722>



DIN rail connector, color: light grey, nominal current: 8 A (parallel contacts), rated voltage (III/2): 125 V, contact surface: Gold, number of positions: 5, pitch: 3.81 mm, mounting: DIN rail mounting, locking: without, mounting: without, type of packaging: packed in cardboard, Item with gold-plated contacts, bus connectors for connecting with electronics housings, 5 parallel contacts

---

## ME 22,5 TBUS ADAPTER KMGY - DIN rail bus connectors

2201756

<https://www.phoenixcontact.com/us/products/2201756>



DIN rail bus adapter for ME and ME-MAX, design width: 22.5 mm, 5 parallel positions, color: light gray (similar to RAL 7035)

# ME MAX 22,5 2-2 BUGY - Electronic housing

2201584

<https://www.phoenixcontact.com/us/products/2201584>

## PCO 22,5-L KMGY - Power connector

2201685

<https://www.phoenixcontact.com/us/products/2201685>



Power connector for ME-MAX housing, design width: 22.5 mm, 2-pos., used to transmit a total current of up to 42 A at 60 V DC.

---

## ME MAX TBUS BS KMGY - Filler plugs

2199650

<https://www.phoenixcontact.com/us/products/2199650>



DIN rail housing, Filler plugs for TBUS recess, width: 5.8 mm, height: 30 mm, depth: 6.6 mm, color: light grey (7035)

# ME MAX 22,5 2-2 BUGY - Electronic housing

2201584

<https://www.phoenixcontact.com/us/products/2201584>

## E/ME TBUS NS35 GY - End clamp

2713780

<https://www.phoenixcontact.com/us/products/2713780>



End clamp, stable construction for DIN rail bus connector

---

## MC 1,5/ 5-ST-3,81 AU - PCB connector

1860883

<https://www.phoenixcontact.com/us/products/1860883>



PCB connector, nominal cross section: 1.5 mm<sup>2</sup>, color: green, nominal current: 8 A, rated voltage (III/2): 160 V, contact surface: Gold, contact connection type: Socket, number of potentials: 5, number of rows: 1, number of positions: 5, number of connections: 5, product range: MC 1,5/...-ST, pitch: 3.81 mm, connection method: Screw connection with tension sleeve, screw head form: L Slotted, conductor/PCB connection direction: 0 °, pin layout: Linear three-way pinning, plug-in system: COMBICON MC 1,5, locking: without, mounting: without, type of packaging: packed in cardboard

# ME MAX 22,5 2-2 BUGY - Electronic housing

2201584

<https://www.phoenixcontact.com/us/products/2201584>

## IMC 1,5/ 5-ST-3,81 - Printed-circuit board connector

1857919

<https://www.phoenixcontact.com/us/products/1857919>



PCB connector, nominal cross section: 1.5 mm<sup>2</sup>, color: green, nominal current: 8 A, rated voltage (III/2): 160 V, contact surface: Tin, contact connection type: Pin, number of potentials: 5, number of rows: 1, number of positions: 5, number of connections: 5, product range: IMC 1,5/..-ST, pitch: 3.81 mm, connection method: Screw connection with tension sleeve, screw head form: L Slotted, conductor/PCB connection direction: 0 °, plug-in system: COMBICON MC 1,5, locking: without, mounting: without, type of packaging: packed in cardboard

---

## PBR 42A BU - Cross connection

2201916

<https://www.phoenixcontact.com/us/products/2201916>



Jumper for PCO power connector in ME-MAX housing, color: blue (similar to RAL 5015)

# ME MAX 22,5 2-2 BUGY - Electronic housing

2201584

<https://www.phoenixcontact.com/us/products/2201584>

## PBR 42A GY - Cross connection

2201917

<https://www.phoenixcontact.com/us/products/2201917>



Jumper for PCO power connector in ME-MAX housing, color: gray (similar to RAL 7042)

---

## PBR 42A RD - Cross connection

2201915

<https://www.phoenixcontact.com/us/products/2201915>



Jumper for PCO power connector in ME-MAX housing, color: red (similar to RAL 3000)



# ME MAX 22,5 2-2 BUGY - Electronic housing



2201584

<https://www.phoenixcontact.com/us/products/2201584>

## ME-SAS - Shield connection clamp

2853899

<https://www.phoenixcontact.com/us/products/2853899>

Shield connection clamp for terminal points starting from 2.5 mm<sup>2</sup>



---

## CR MSTBO-G1 - Coding section

2199618

<https://www.phoenixcontact.com/us/products/2199618>

Coding section, inserted into the recess in the header or the inverted plug, red insulating material



---

Phoenix Contact 2023 © - all rights reserved  
<https://www.phoenixcontact.com>

Phoenix Contact USA  
586 Fulling Mill Road  
Middletown, PA 17057, United States  
(+717) 944-1300  
[info@phoenixcon.com](mailto:info@phoenixcon.com)