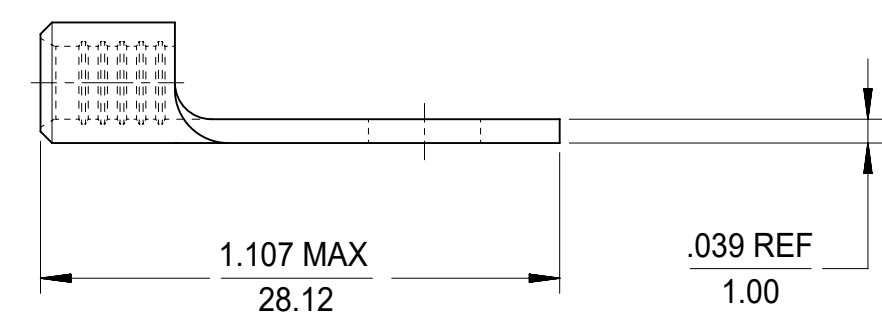
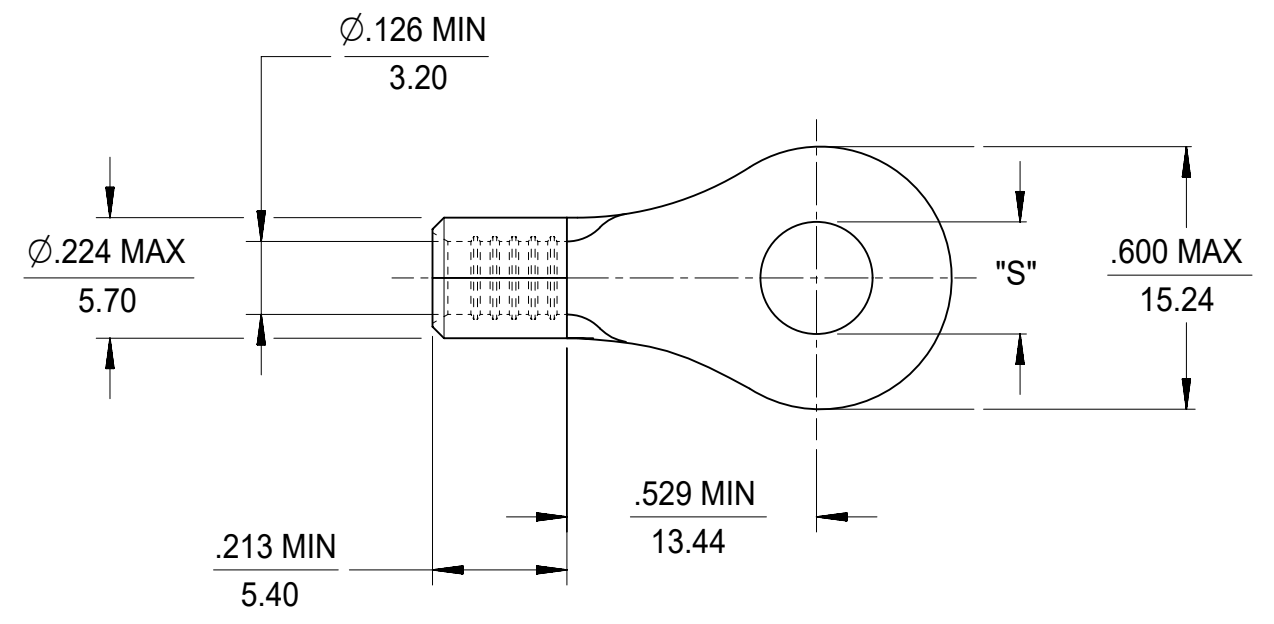


MAT'L NO.	ENG NO.	STUD SIZE	"S" MAX	DESCRIPTION
192030492	C-S-140-38	3/8	.416 (10.57)	LOOSE PIECE

B1



B1

NOTE(S):

1. MATERIAL: STEEL
2. WIRE SIZE: 12-10 AWG (4.0-6.0 MM<sup>2</sup>)
3. FINISH: NICKEL PLATING
4. PART IS RoHS COMPLIANT.

FUNCTIONAL SYMBOLS	THIS DRAWING CONTAINS INFORMATION THAT IS PROPRIETARY TO MOLEX ELECTRONIC TECHNOLOGIES, LLC AND SHOULD NOT BE USED WITHOUT WRITTEN PERMISSION			
	DIMENSION UNITS	SCALE		CURRENT REV DESC: RMV OBSO PN: 192030292
	INCH/MM	4:1		<b>molex</b> RING TONGUE TERMINAL, 12-10 AWG, KRIMPTITE, 900 DEG F (483 DEG C)
	GENERAL TOLERANCES (UNLESS SPECIFIED)			
	MM	INCH		
DIVISIONAL SYMBOLS	4 PLACES	±	±	EC NO: 712677 DRWN: DMYRICK 2022/06/30 CHKD: JMACNEIL 2022/06/30 APPR: JMACNEIL 2022/06/30 INITIAL REVISION: DRWN: EHILE 2006/09/28 APPR: JMACNEIL 2006/09/29
	3 PLACES	±	±	
	2 PLACES	±	±	
	1 PLACE	±	±	
	0 PLACES	±	±	DOCUMENT NUMBER: SD-19203-035 DOC TYPE: PSD DOC PART: 001 REVISION: B1
	ANGULAR TOL	±	°	MATERIAL NUMBER: SEE CHART CUSTOMER: GENERAL MARKET SHEET NUMBER: 1 OF 1
DRAFT WHERE APPLICABLE MUST REMAIN WITHIN DIMENSIONS		THIRD ANGLE PROJECTION	DRAWING	SERIES
			B-SIZE	19203

DOCUMENT STATUS	P1	RELEASE DATE	2022/06/30	17:49:07
-----------------	----	--------------	------------	----------