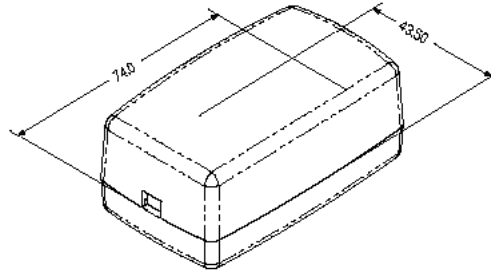
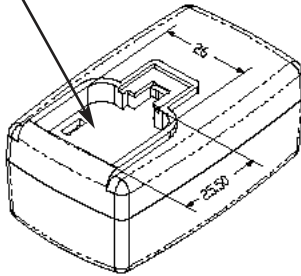


PROPRIETARY INFORMATION:
 PROPRIETARY OF GLOBTEK, INC. ANY REPRODUCTION, DISCLOSURE OR
 USE OF THIS DRAWING, IN WHOLE OR IN PART, IS HEREBY
 PROHIBITED EXCEPT AS SPECIFIED IN WRITING BY GLOBTEK, INC.

REVISION			
REV	DESCRIPTION	DATE	APPROVED
A	INITIAL RELEASE, RFS. 21981, MS	12/05/11	HM
B	UPDATE BRAZIL PLUG DIMENSIONS, RFS.22234	01/16/12	HM
C	ADD MECHANICAL DRAWING, RFS. 24375, SO	03/06/13	HM
D	REMOVE "PRELIMINARY" FROM PAGE 1, RFS.27056, JS	04/11/18	MK



STANDARD OPTION SHIPS
 WITHOUT AC PINS INSTALLED

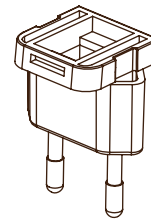
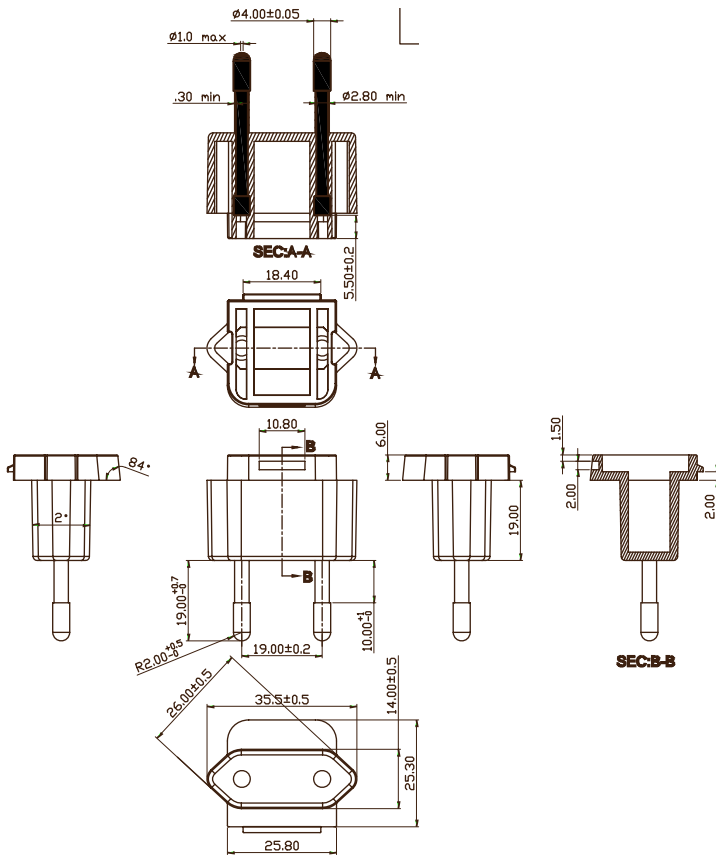


1. MATERIAL

HIGH IMPACT PLASTIC, 94V0 POLYCARBONATE, NON-VENTED, COLOR BLACK

2. INPUT CONNECTOR:

BRAZIL CONFIGURATION NBR6147: BRAZIL 2 PINS, CLASS II



Note:

1. No label tolerance refer to tolerance sheet.
2. "*" is the important dimension.
3. Plastic material: PC+ABS 94-V0.
4. Color: Black.
5. Metal pin material: Brass.
6. Metal pin Finish: nickelage.

Tolerance table			
RANGE	GRADE 1	GRADE 2	GRADE 3
0~4	+/-0.05	+/-0.1	+/-0.2
4~16	+/-0.08	+/-0.15	+/-0.3
16~64	+/-0.12	+/-0.25	+/-0.5
64~250	+/-0.25	+/-0.4	+/-0.8

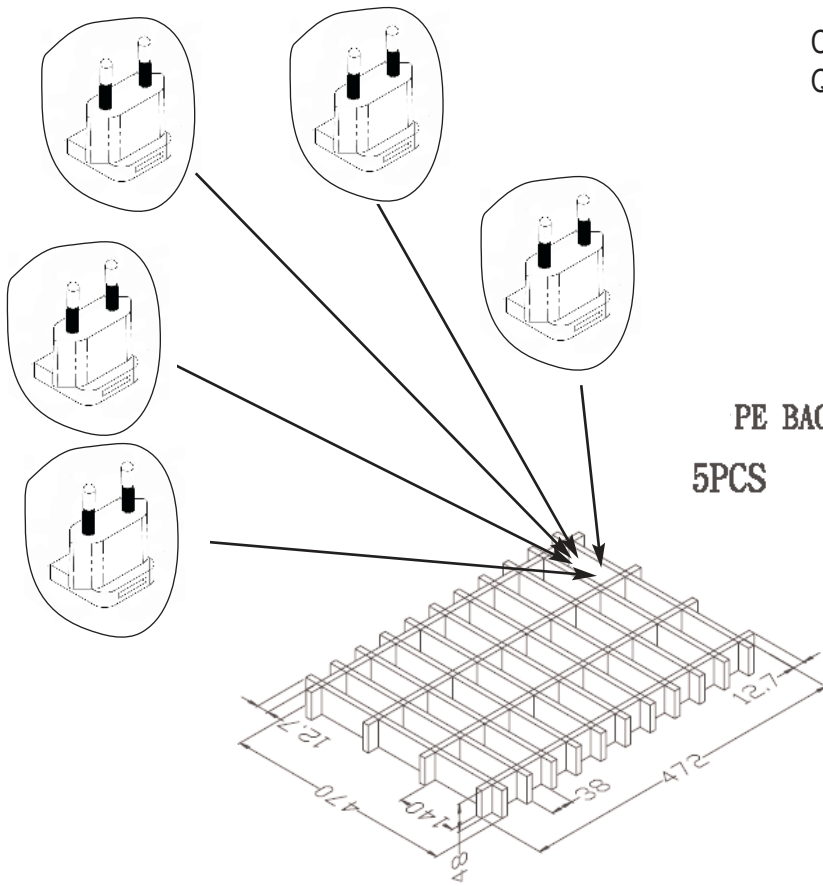
RELEASED
 By N.Frost at 1:51 pm, Apr 11, 2018

Foot Note:	DASH NO.	PART NO	REV.	DESCRIPTION	NOTES
Globtek Inc. will not be liable for the safety and performance of these power supplies if unauthorized access and repair occurs. End user should consult applicable UL, CSA or EN standards for proper installation instructions				TABULATION BLOCK	
Limitation of Use: Globtek product are not authorized for use as mission critical components in life support, hazardous environment, nuclear or aircraft applications without prior written approval from the CEO of Globtek Inc.				GlobTek, Inc. www.globtek.com	186 Veterans Dr. Northvale, NJ 07647 Tel. 201-784-1000 Fax 201.784.0111
	INIT.BY: MS	DATE: 12/05/11	TOLERANCES: DECIMALS .xx +/- 0.1 ANGULAR .xxx +/- .005 MILLIMETERS .xx +/- 0.3 ANGULAR .xxx +/- .013	DWG TITLE: BRAZIL INTERCHANGEABLE INPUT BLADES	
	DRAWN: NF	DATE: 12/05/11	FSCN No.: G, N SIZE A	MODEL NO: N/A	REV. D
	APRVD : HM	DATE: 12/05/11	SCALE: NONE	PART NO: Q-BR(R)	SHEET 1 OF 2

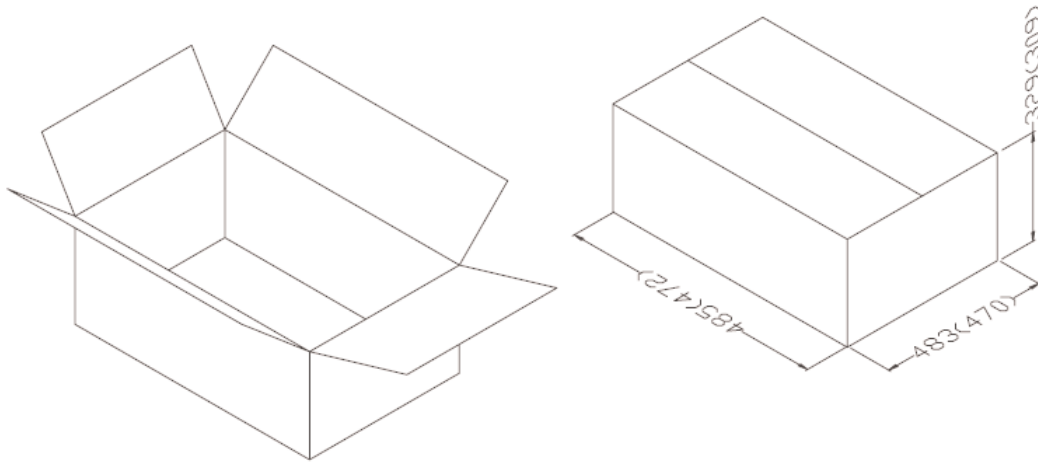
PROPRIETARY INFORMATION:
 PROPRIETARY OF GLOBTEK, INC. ANY REPRODUCTION, DISCLOSURE OR
 USE OF THIS DRAWING, IN WHOLE OR IN PART, IS HEREBY
 PROHIBITED EXCEPT AS SPECIFIED IN WRITING BY GLOBTEK, INC.


3. PACKING:

CARTON SIZE: 485 x 483 x 329
 Q'TY: 900 pcs (150 x 6)



PE BAG(SIZE:80X200)
 5PCS



 GlobTek, Inc. www.globtek.com		186 Veterans Dr. Northvale, NJ 07647 Tel. 201-784-1000 Fax 201.784.0111	
DWG TITLE: BRAZIL INTERCHANGEABLE INPUT BLADES			
MODEL NO: N/A			REV. D
PART NO: Q-BR(R)			SHEET 2 OF 2