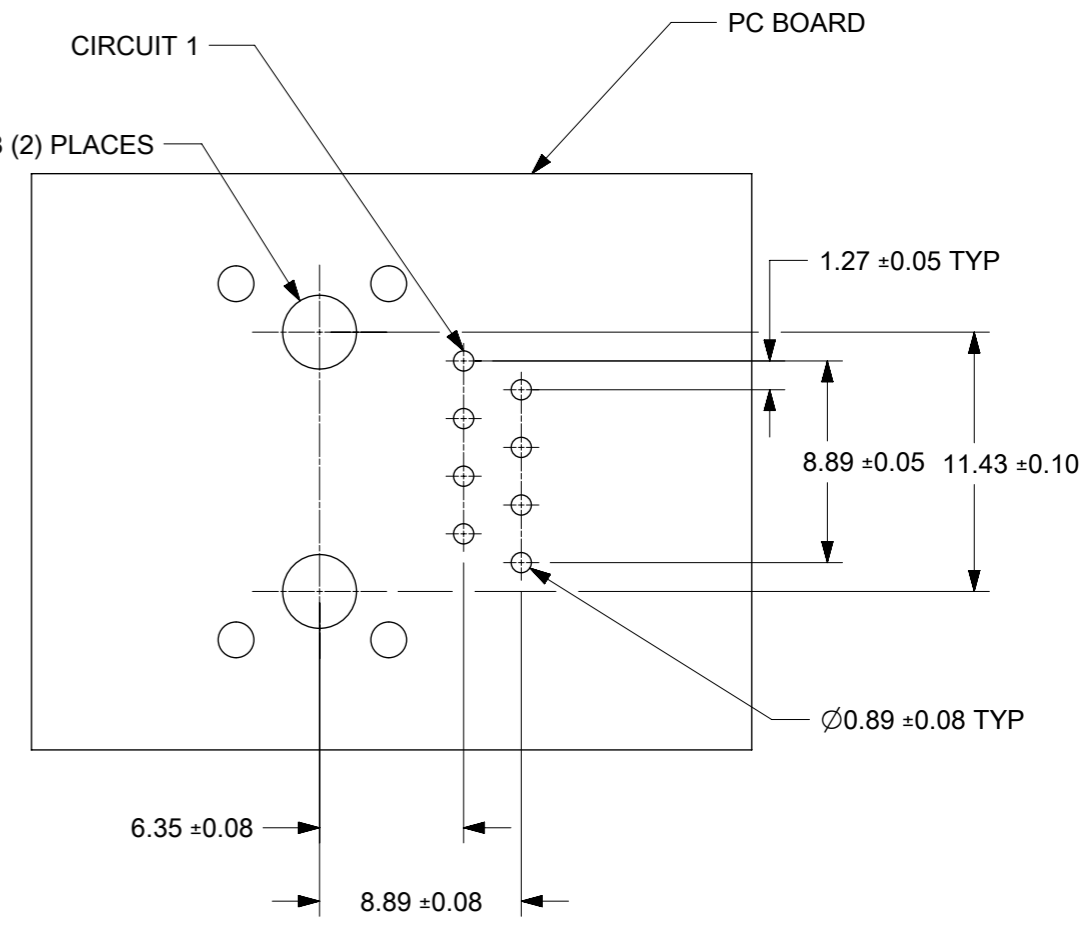


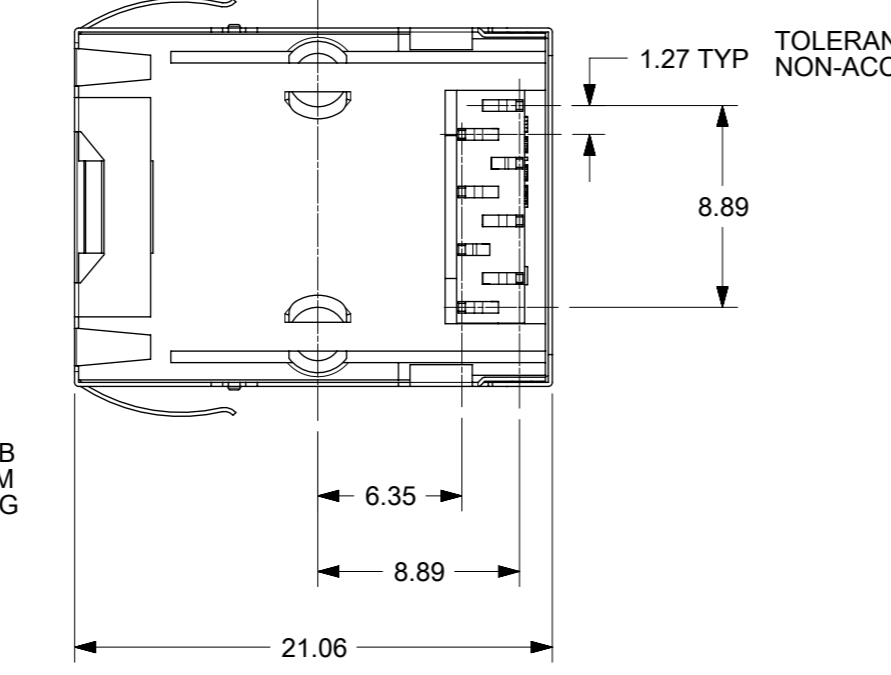
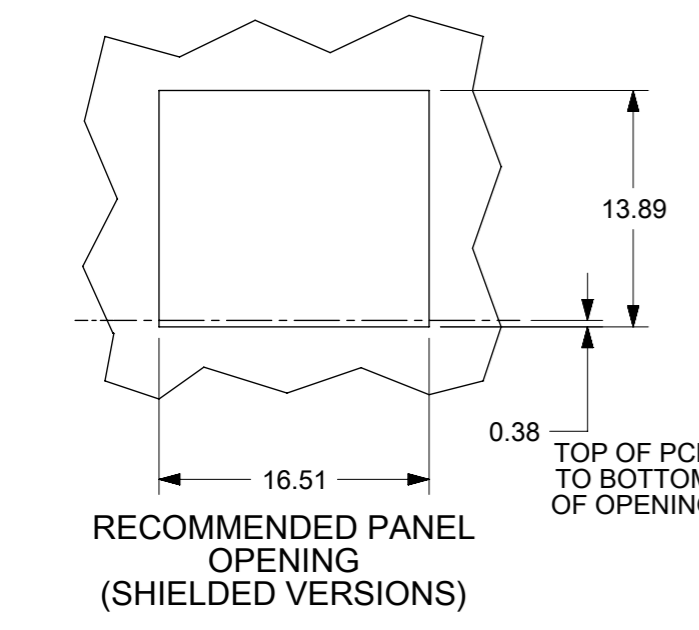
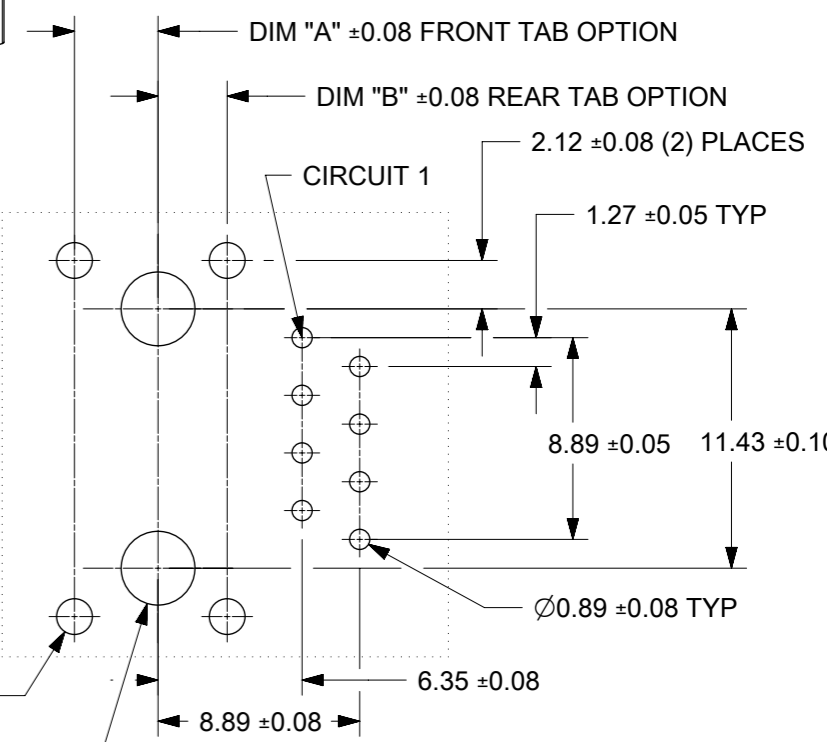
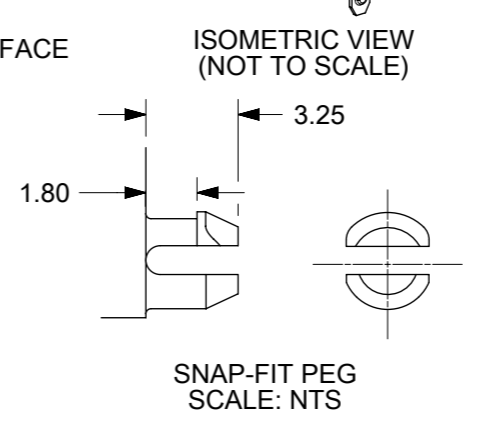
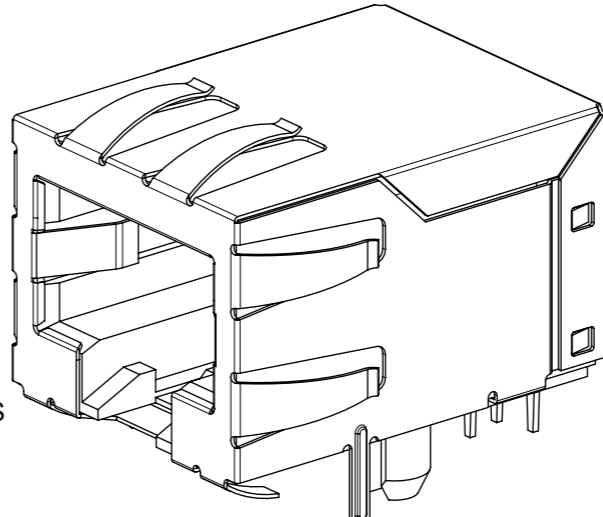
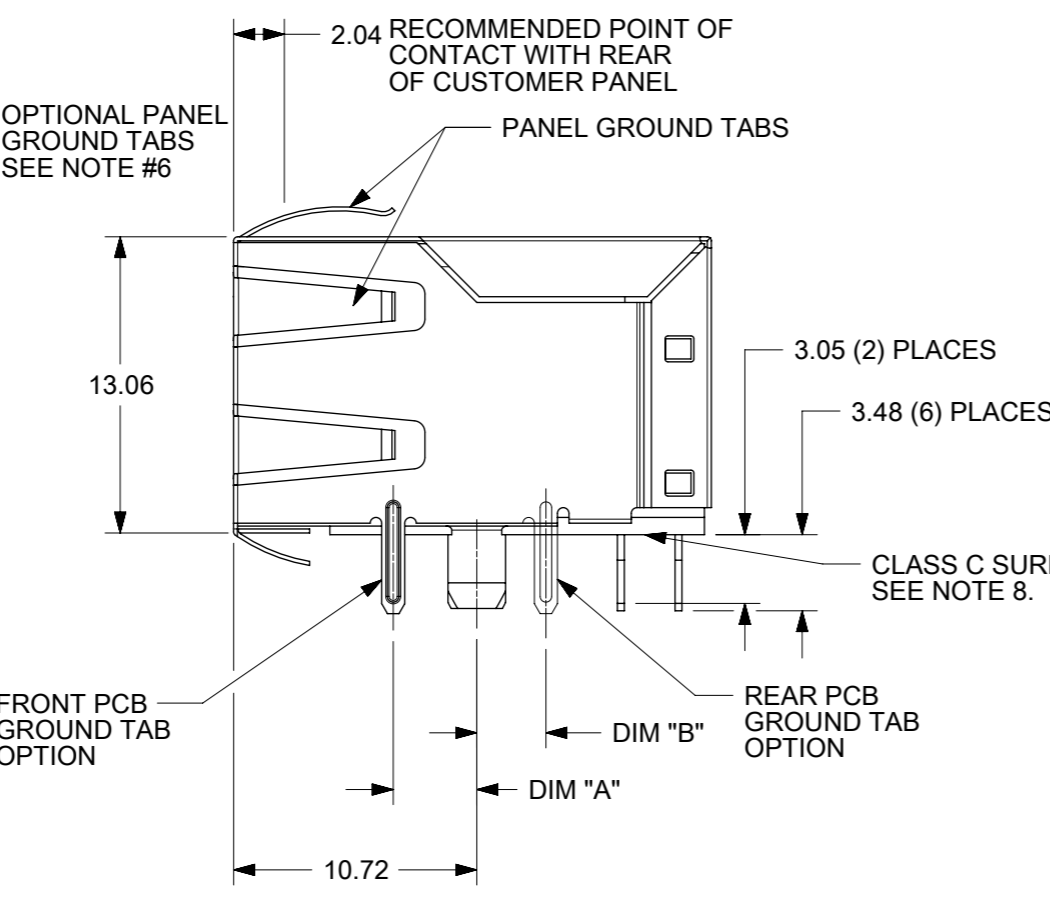
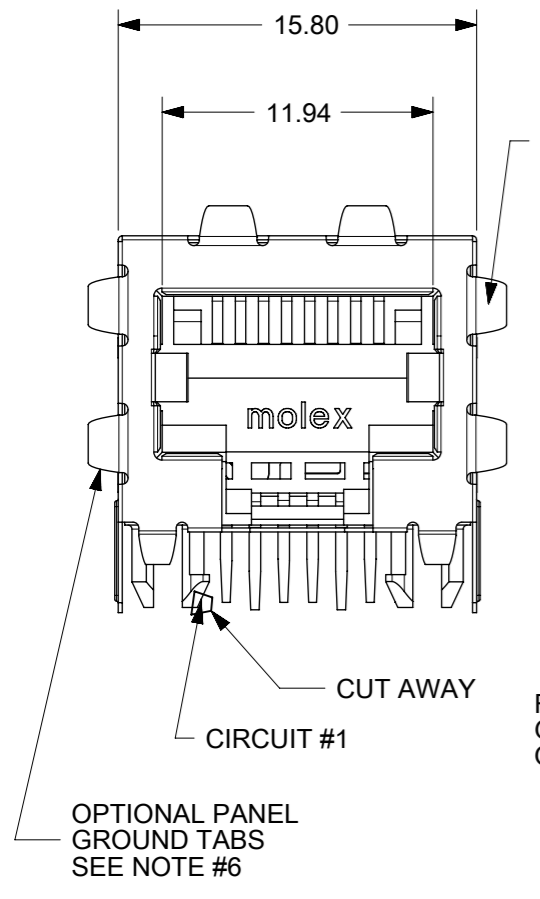
SNAP-FIT PEG  
SCALE: NTS



PCB LAYOUT: COMPONENT SIDE  
RECOMMENDED PCB THICKNESS: 1.57

- NOTES:
- MATERIAL:  
HOUSING: NYLON(PA), GLASS FILLED, UL94V-0, COLOR: BLACK  
TERMINALS: PHOSPHOR BRONZE
  - FINISH:  
TERMINALS:  
SELECT GOLD IN CONTACT AREA: 1.27 MICROMETERS MIN.,  
SELECT MATTE TIN IN PC TAIL AREA: 2.54 MICROMETERS MIN.,  
WITH OVERALL NICKEL UNDERPLATE: 1.27 MICROMETERS MIN.
  - PRODUCT SPECIFICATION AND PROCESSING PARAMETERS: PS-44050-003.
  - PACKAGING SPECIFICATION:  
CONNECTOR ASSEMBLIES IN THERMOFORMED TRAYS PER MOLEX PACKAGING SPECIFICATION PK-44050-004.
  - MATES WITH: MODULAR PLUGS THAT CONFORM TO FCC REGULATION PART 68.5.
  - TERMINAL LENGTHS MAY BE DIFFERENT FROM TERMINAL TO TERMINAL.
  - THIS PART CONFORMS TO CLASS B REQUIREMENTS OF COSMETIC SPECIFICATION PS-45499-002 WITH THE EXCEPTION OF THE SURFACE INDICATED, WHICH IS A CLASS C SURFACE.

FUNCTIONAL SYMBOLS	THIS DRAWING CONTAINS INFORMATION THAT IS PROPRIETARY TO MOLEX ELECTRONIC TECHNOLOGIES, LLC AND SHOULD NOT BE USED WITHOUT WRITTEN PERMISSION		CURRENT REV DESC: MIGRATED TO NX			<b>molex</b>		
	DIMENSION UNITS	SCALE						
▽A = 0	mm	4:1	GENERAL TOLERANCES (UNLESS SPECIFIED)			PRODUCT CUSTOMER DRAWING		
▽E = 0	ANGULAR TOL ± 0.5°		4 PLACES ±			EC NO: 709829		
▽F = 0	3 PLACES ±		2 PLACES ± 0.25			DRWN: CCV 2018/02/27		
DIVISIONAL SYMBOLS	1 PLACE ±		0 PLACES ±			CHK'D: KLANG 2022/06/29		
	DRAFT WHERE APPLICABLE MUST REMAIN WITHIN DIMENSIONS		THIRD ANGLE PROJECTION			APPR: KLANG 2022/06/29		
DRAWING		SERIES		MATERIAL NUMBER		CUSTOMER		REVISION
A3-SIZE		44050		SEE CHART		GENERAL MARKET		E5
DOCUMENT STATUS		RELEASE DATE		SHEET NUMBER		DOC TYPE		DOC PART
P1		2022/06/29 14:36:38		1 OF 2		PSD		001



PCB LAYOUT: COMPONENT SIDE  
RECOMMENDED PCB THICKNESS: 1.57

- NOTES:  
 1) MATERIAL:  
 HOUSING: NYLON(PA), GLASS FILLED, UL94V-0, COLOR: BLACK  
 TERMINALS: PHOSPHOR BRONZE  
 SHIELD: BRASS  
 2) FINISH:  
 TERMINALS:  
 SELECT GOLD IN CONTACT AREA: 1.27 MICROMETERS MIN.,  
 SELECT TIN IN PC TAIL AREA: 2.54 MICROMETERS MIN.,  
 WITH OVERALL NICKEL UNDERPLATE: 1.27 MICROMETERS MIN.  
 SHIELD:  
 2.54 MICROMETERS NICKEL OVER 1.27 MICROMETERS  
 COPPER UNDERPLATE, PCB GROUND TABS DIPPED IN TIN

- 3) PRODUCT SPECIFICATION AND PROCESSING PARAMETERS: PS-44050-003.  
 4) PACKAGING SPECIFICATION:  
 CONNECTOR ASSEMBLIES IN THERMOFORMED TRAYS PER MOLEX PACKAGING SPECIFICATION PK-44050-004.  
 5) MATES WITH: MODULAR PLUGS THAT CONFORM TO FCC REGULATION PART 68.5.  
 6) AVAILABLE WITH THE (2) SPECIFIED PANEL GROUND TABS OMITTED FOR SIDE TO SIDE STACKABILITY, PER THE ASSEMBLY MATERIAL NUMBER TABLE.  
 7) TERMINAL LENGTHS MAY BE DIFFERENT FROM TERMINAL TO TERMINAL.  
 8) THIS PART CONFORMS TO CLASS B REQUIREMENTS OF COSMETIC SPECIFICATION PS-45499-002 WITH THE EXCEPTION OF THE SURFACE INDICATED, WHICH IS A CLASS C SURFACE.

"X"=NOT TOOLED	ASSEMBLY MATERIAL NUM	DIM "A"	DIM -B-	PANEL GROUND TAB OPTION
	440500007	3.05	N/A	ALL
	440500002	3.68	N/A	ALL
	440500006	4.57	N/A	ALL
	440500003	N/A	3.05	ALL
X	440500009	3.05	N/A	SEE NOTE #6
X	440500004	3.68	N/A	SEE NOTE #6
X	440500008	4.57	N/A	SEE NOTE #6
X	440500005	N/A	3.05	SEE NOTE #6

THIS DRAWING CONTAINS INFORMATION THAT IS PROPRIETARY TO MOLEX ELECTRONIC TECHNOLOGIES, LLC AND SHOULD NOT BE USED WITHOUT WRITTEN PERMISSION

FUNCTIONAL SYMBOLS:  $\sqrt{A}$  = 0,  $\sqrt{E}$  = 0,  $\sqrt{E}$  = 0

DIMENSION UNITS: mm, SCALE: 4:1

GENERAL TOLERANCES (UNLESS SPECIFIED): ANGULAR TOL ± 0.5°

DIVISIONAL SYMBOLS: 4 PLACES ±, 3 PLACES ±, 2 PLACES ± 0.25, 1 PLACE ±, 0 PLACES ±

DRAFT WHERE APPLICABLE MUST REMAIN WITHIN DIMENSIONS

THIRD ANGLE PROJECTION

DRAWING: A3-SIZE, SERIES: 44050

EC NO: 709829, DRWN: CCV, 2018/02/27, CHK'D: KLANG, APPR: KLANG, 2022/06/29, INITIAL REVISION: DRWN: KMARANTO, 0097/12/11, APPR: MMAYO, 0099/04/16

DOCUMENT NUMBER: SD-44050-002, DOC TYPE: PSD, DOC PART: 001, REVISION: E5

CATEGORY 5 MODULAR JACK ASSEMBLIES, SINGLE PORT

PRODUCT CUSTOMER DRAWING

MATERIAL NUMBER: SEE CHART, CUSTOMER: GENERAL MARKET, SHEET NUMBER: 2 OF 2