

PART NAME: KNOB

SCALE: 1:1

DATE: 11/5/92

DR. BY HD


 DESIGNERS & MANUFACTURERS
 OF KNOBS, HANDLES, CASES &
 CUSTOM PLASTIC COMPONENTS

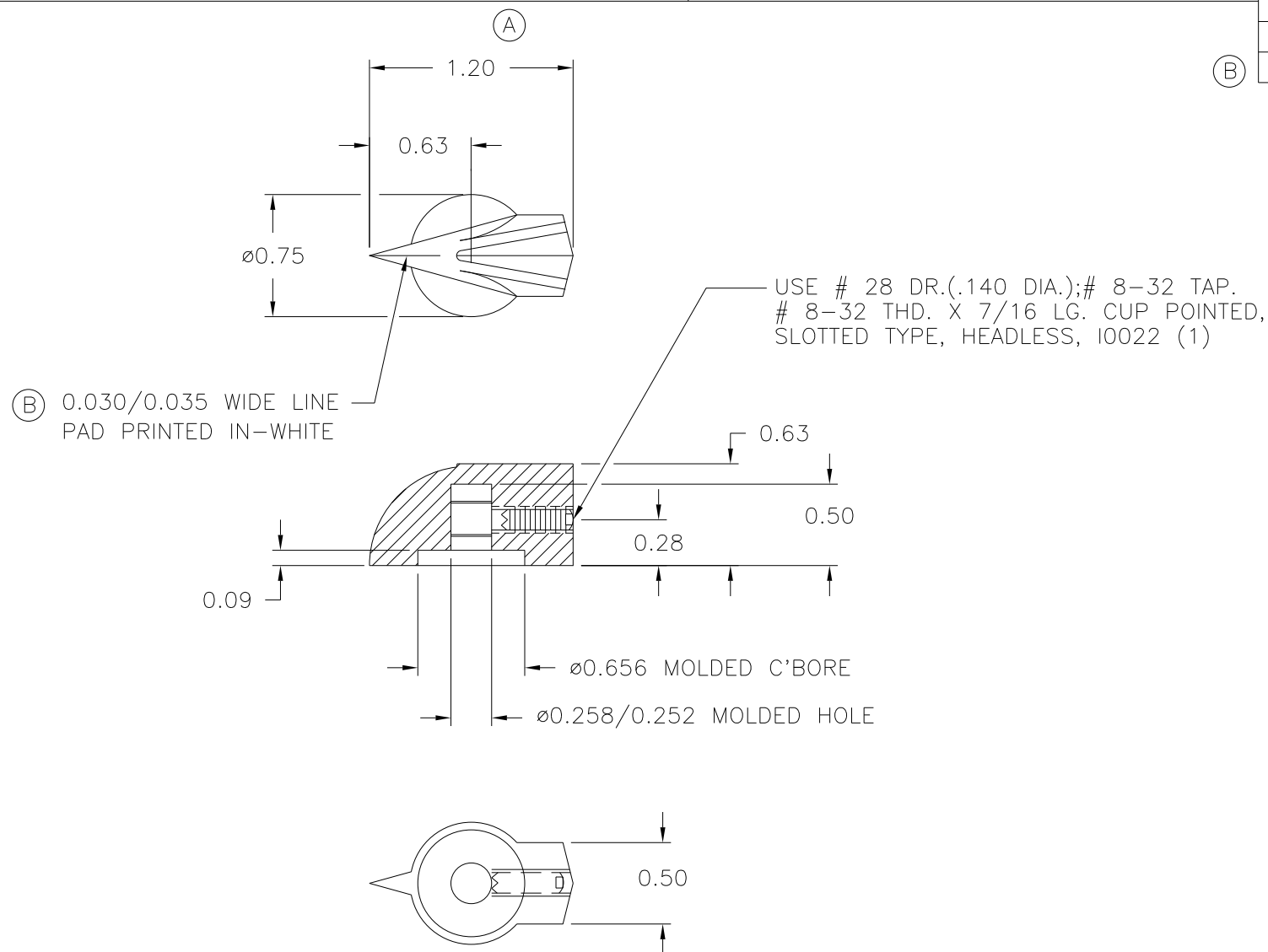
P/N 2300BM

 THIS DRAWING IS THE PROPERTY OF DAVIES MOLDING COMPANY, IS SUBMITTED SOLELY AS A DESIGN OR ENGINEERING PROJECT.
 WE ACCEPT NO RESPONSIBILITY WHATSOEVER FOR THE PRACTICAL APPLICATION OF THE PIECES MADE TO THIS DESIGN.

BASE PART 2300-01

SET SCREW I0022

P.P. CLICHE TTA90423


 MATERIAL: G.P. PHENOLIC (B11)
 COLOR: BLACK

TOLERANCES: UNLESS OTHERWISE SPECIFIED	DO NOT SCALE DRAWING	B	ADDED LINE_DIM. ADDED PP CLICHE	DS	3/21/07
		-	UPDATED TOOLBOX	JAM	10/18/02
DECIMALS: X.XXX ± .005 X.XX ± .015	MM: X.XX ± 0.15MM X.X ± 0.4MM	A	WAS 1.22	RF	8/10/02
		-	UPDATED DRAWING	ST	4/3/2000
FRACTIONS ± 1/64	ANG. ± 1°	CHANGES			