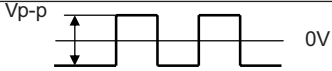


MODEL: CPS-3314-90L095 | **DESCRIPTION:** PIEZO BUZZER TRANSDUCER

FEATURES

- 24 V rated
- 90 dB
- wire leads


SPECIFICATIONS

parameter	conditions/description	min	typ	max	units
rated voltage			24		Vp-p
operating voltage		18		30	Vp-p
current consumption	at rated voltage, 4,000 Hz, ½ duty square wave			20	mA
rated frequency			4,000		Hz
sound pressure level	at 100 cm, rated voltage, 4,000 Hz, ½ duty square wave	90			dB
electrostatic capacitance	at 120 Hz	14,000	20,000	26,000	pF
tone	single				
dimensions	∅33.0 x 14.0				mm
weight			8.0		g
material	NORYL				
terminal	wire leads				
operating temperature		-30		85	°C
storage temperature		-40		85	°C
washable	no				
RoHS	yes				

Notes: 1. All specifications measured at 25±3°C, humidity at 60-70%, under 86-106 kPa pressure, unless otherwise noted.

SOLDERABILITY

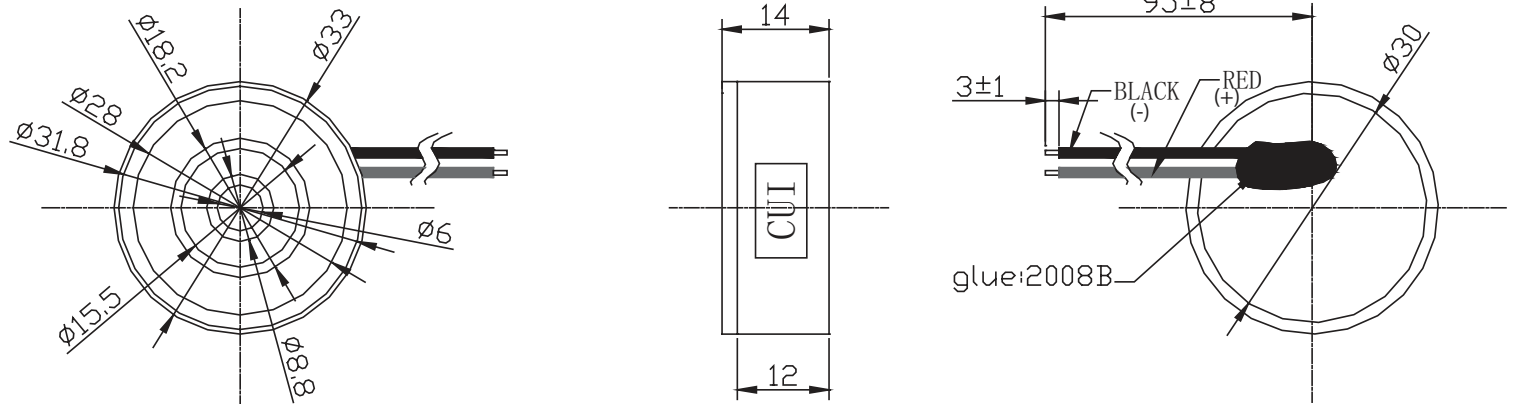
parameter	conditions/description	min	typ	max	units
hand soldering		360	380	400	°C

MECHANICAL DRAWING

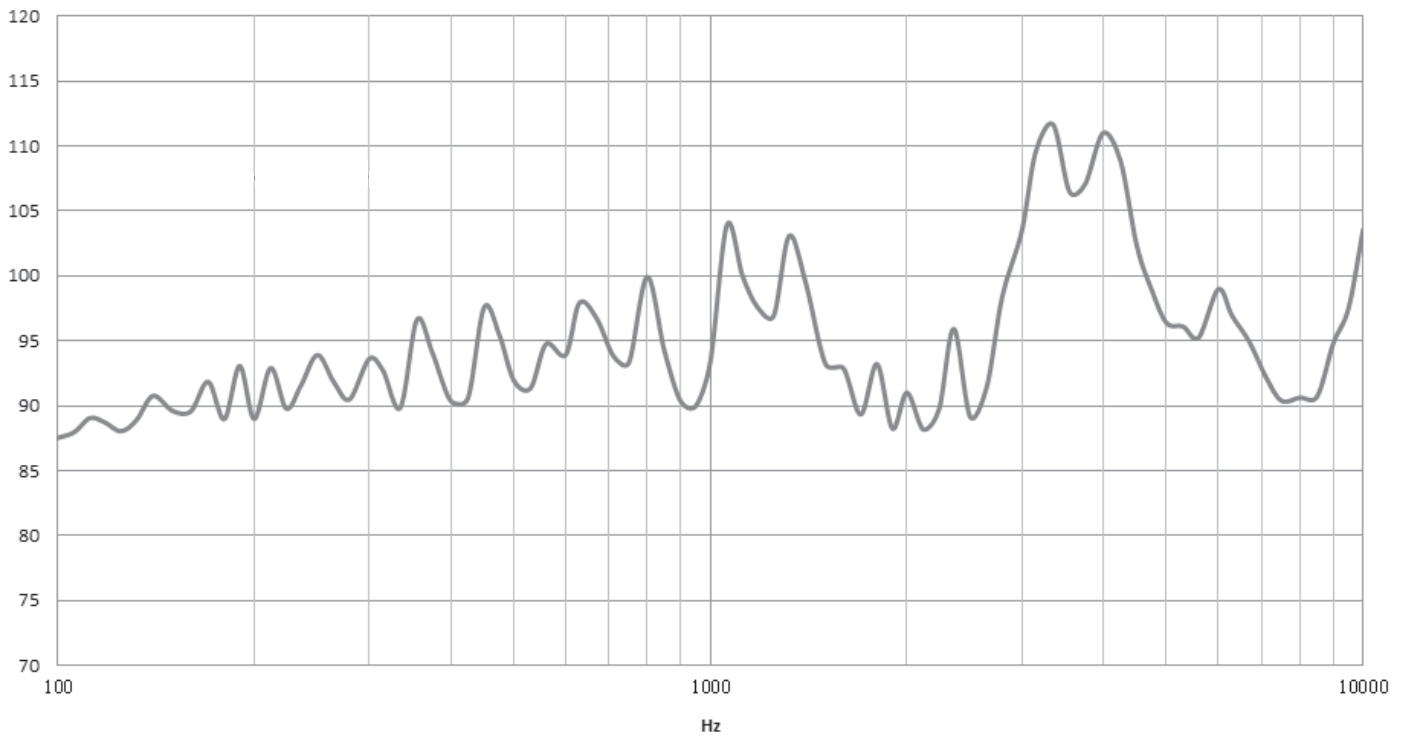
units: mm

tolerance: ± 0.5 mm

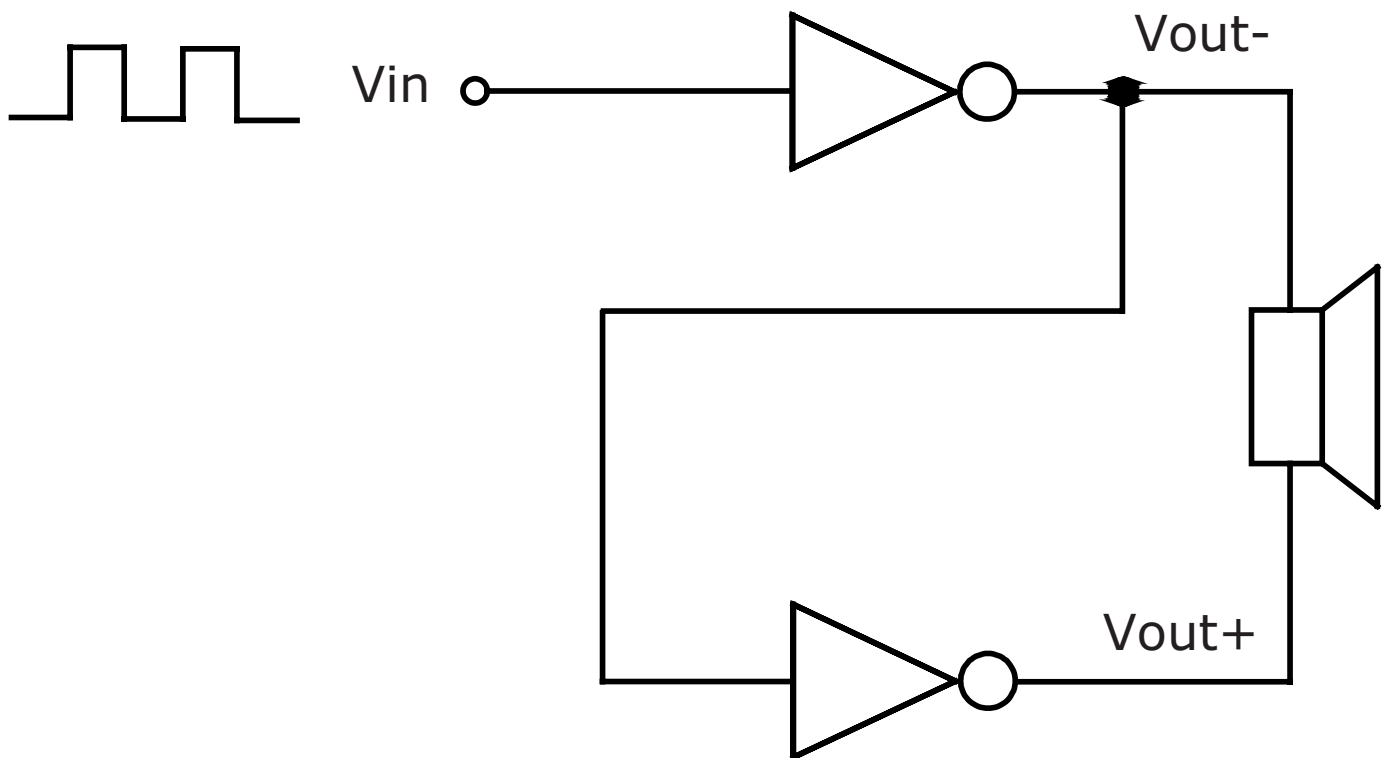
wire: UL1095 AWG 28



FREQUENCY RESPONSE CURVE



APPLICATION CIRCUIT

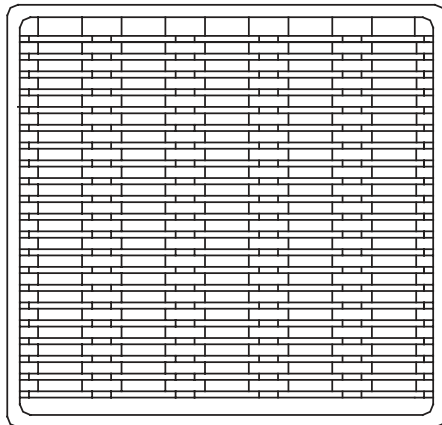


PACKAGING

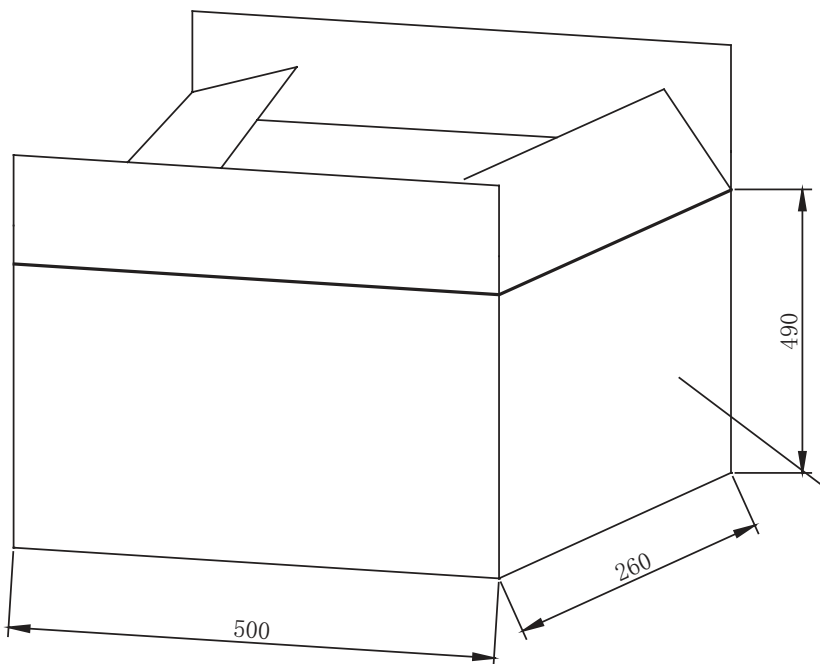
units: mm

Carton Size: 500 x 260 x 490 mm

Carton QTY: 1,000 pcs per carton



Per tray 50 pcs.



MODEL:
QTY: 1000PCS
N.W: 8.0Kg
G.W: 9.0Kg
SIZE:50*26*49
LOT NO:

Per box 1000 pcs.

REVISION HISTORY

rev.	description	date
1.0	initial release	01/08/2020
1.01	logo, datasheet style update	08/05/2022

The revision history provided is for informational purposes only and is believed to be accurate.



CUI Devices offers a one (1) year limited warranty. Complete warranty information is listed on our website.

CUI Devices reserves the right to make changes to the product at any time without notice. Information provided by CUI Devices is believed to be accurate and reliable. However, no responsibility is assumed by CUI Devices for its use, nor for any infringements of patents or other rights of third parties which may result from its use.

CUI Devices products are not authorized or warranted for use as critical components in equipment that requires an extremely high level of reliability. A critical component is any component of a life support device or system whose failure to perform can be reasonably expected to cause the failure of the life support device or system, or to affect its safety or effectiveness.

cuidevices.com