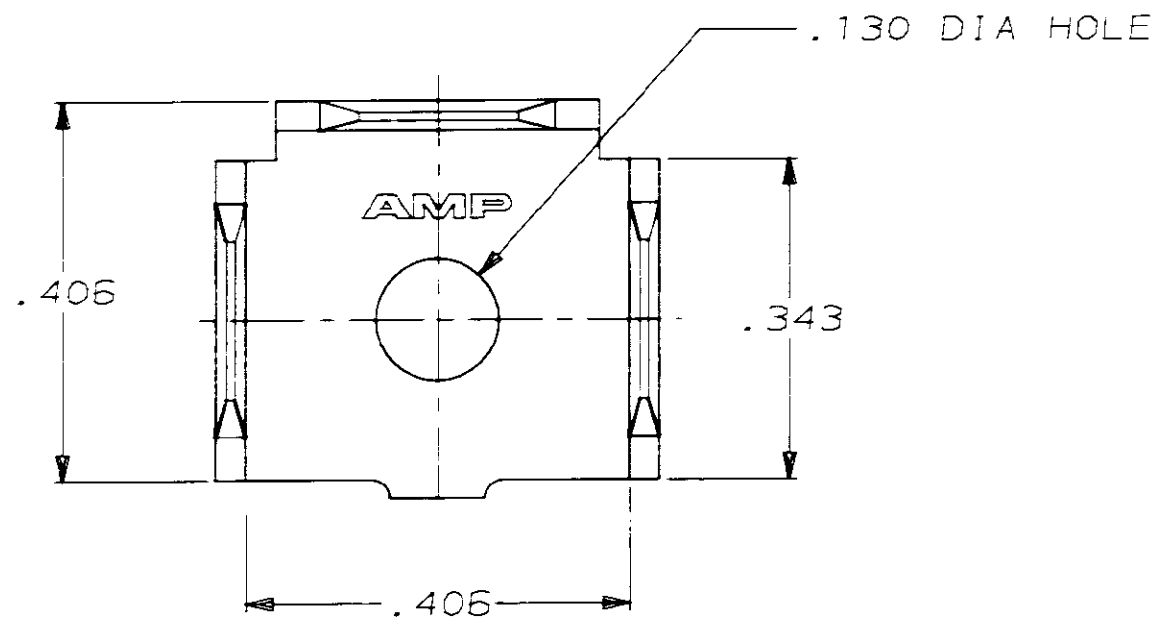
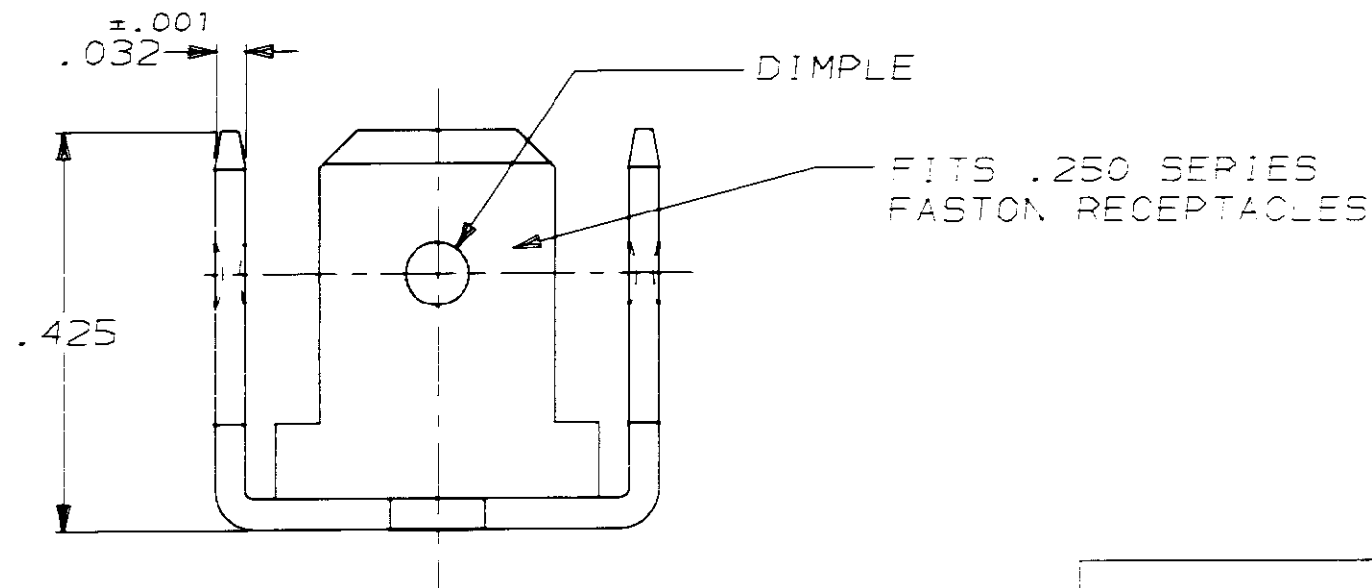


THIS DRAWING IS UNPUBLISHED. RELEASED FOR PUBLICATION ,19 .
 © COPYRIGHT 19 BY AMP INCORPORATED. ALL INTERNATIONAL RIGHTS RESERVED.

LOC	DIST	P	F	ZONE	LTR	DESCRIPTION	DATE	APPD
AF	50				C	REDRAWN AF-7757	12/30/91	JR



1 TO BE SUPPLIED IN LOOSE PIECE.



62261-1

PART NO

DO NOT SCALE PRINT.
 UNLESS SPECIFIED
 DIMENSIONS ARE IN INCHES
 TOLERANCES ON:
 2 PLC DEC = .015
 3 PLC DEC = -
 ANGLES = 1°

MATERIAL
 082 BRASS

FINISH
 -

DR 12/30/91
 JR RUTH
 CHK 12/30/91
 MS FEHER
 APPD 12/30/91
 C MEYERS
 APPD 12/30/91
 D REJNER

PRODUCT SPEC
 -

APPLICATION SPEC
 -

WEIGHT
 -

AMP AMP Incorporated
 Harrisburg, PA 17105-3608

NAME
 TAB, FASTON, .250 SERIES

SIZE CAGE CODE DRAWING NO
 B 00779 62261

SCALE SHEET
 5:1 1 OF 1