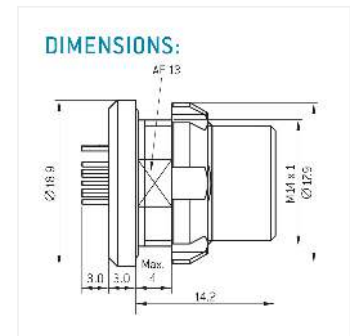
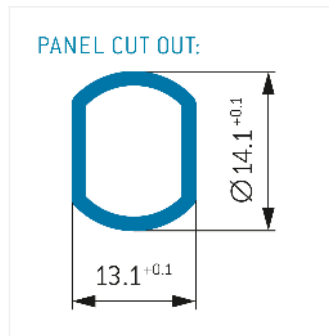
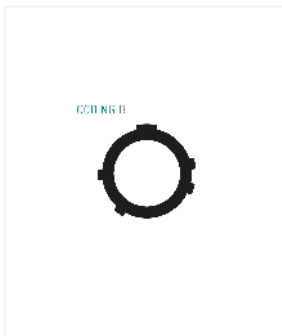


General information

Part number	GKAYBR-P10WFG0-000L
Termination	solder
Size	1,5
Locking principle	break , push
Coding	b_key_amc
Cable Diameter	cable_amc_A



Contact insert description

Number of contacts	10
Contact type	sockets
Contact diameter	07mm
Insulator material	peek
Wire cross section	22_awg
Termination	solder
Termination diameter	085mm

reverse_gender_on_request

Technical information

Nominal current single contact	07_a	iec_60512_5_2
Nominal current insert	3,85 A	vde_0298_4
Test voltage	09_kv_ac	eia_364_20f

safety_text

Mechanical and environmental data

Degree of protection*	ipsk8_ip6k9k
Operating temperature	51_125_c
Mating cycles	5000

mated

Material and surface treatments

Housing	ruthenium
Contact	cu_alloy_gold

safety_text_2
ul_text
illustrative_text