

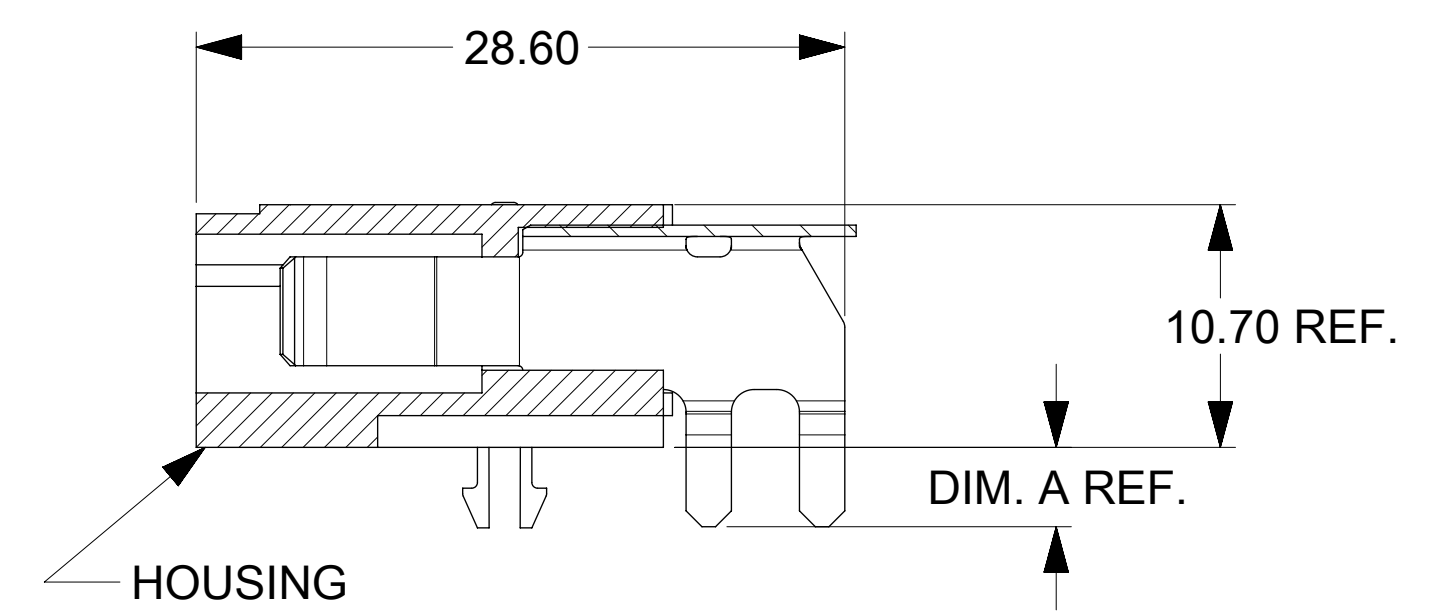
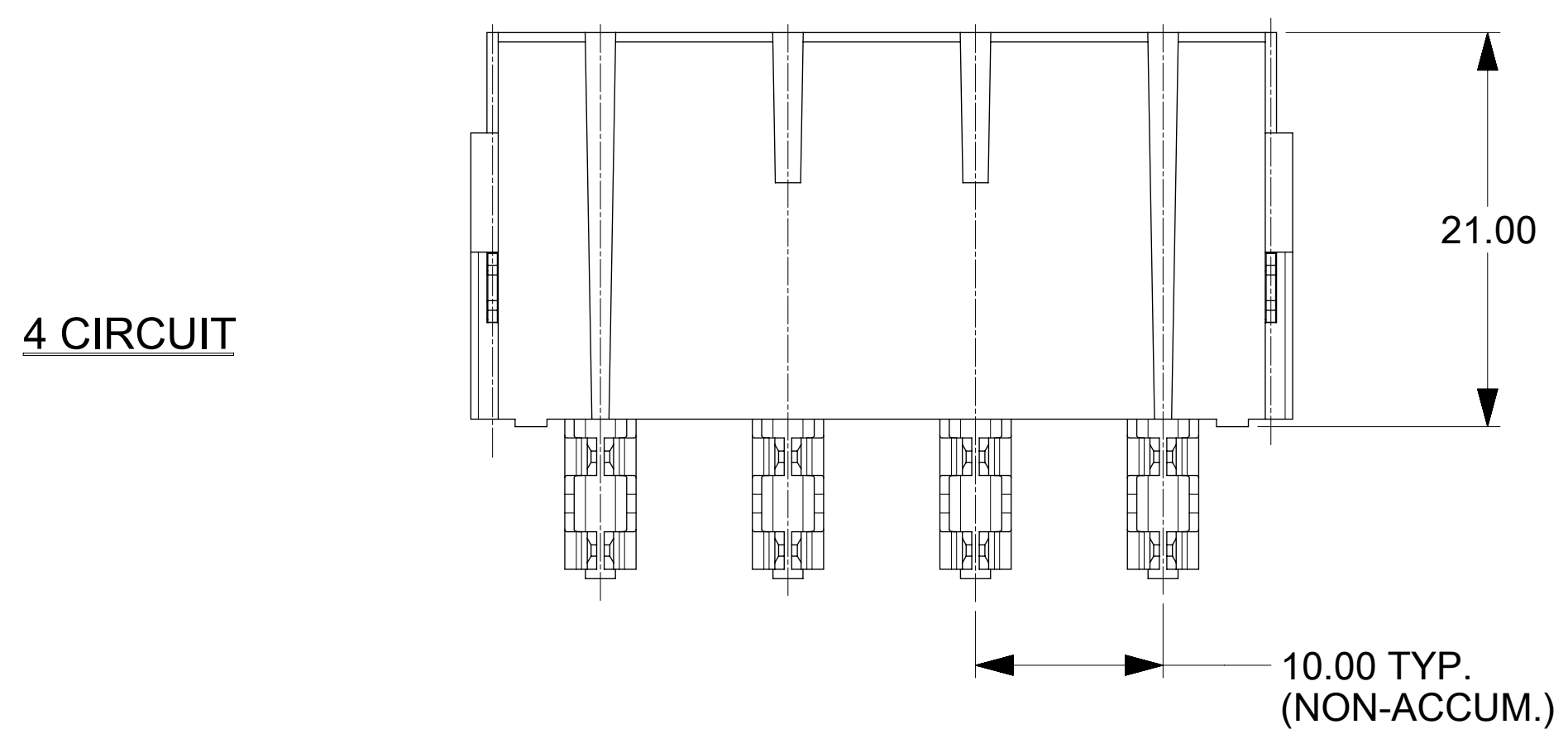
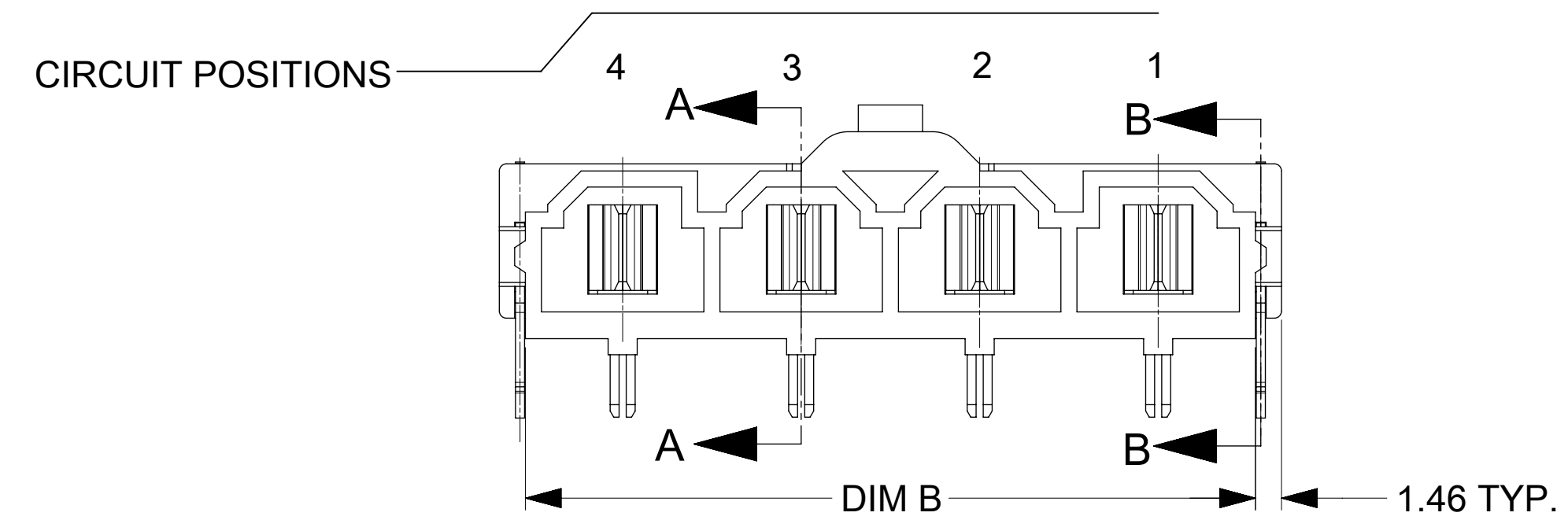
ITEM NUMBER	CKT. SIZE	STANDARD TERMINAL LOADED	QTY.	LOADED IN CIRCUIT POSITIONS	MFBL TERMINAL LOADED	QTY.	LOADED IN CIRCUIT POSITIONS	QUANTITY OF VOIDED CIRCUIT	DIM A	DIM B	DIM C	TERMINAL PLATING
445400001	3	YES	1	2	YES	2	1 & 3	NONE	3.50	30.90	1.80	OVERALL BRIGHT TIN
445400002	3	YES	2	2 & 3	NO	N/A	N/A	1	3.50	30.90	1.80	
445400003	3	YES	2	1 & 3	NO	N/A	N/A	1	3.50	30.90	1.80	
445400004	3	YES	2	1 & 2	NO	N/A	N/A	1	3.50	30.90	1.80	
445400005	5	YES	4	2, 3, 4, 5	YES	1	1	NONE	3.50	50.90	1.80	
445400006	4	YES	3	2, 3, 4	YES	1	1	NONE	3.50	40.90	1.80	
445400007	3	YES	2	1 & 2	YES	1	3	NONE	3.50	30.90	1.80	
445400008	4	YES	3	1, 2, 3	YES	1	4	NONE	3.50	40.90	1.80	
445400009	2	YES	1	2	YES	1	1	NONE	5.10	20.90	3.40	
445400010	2	YES	1	2	YES	1	1	NONE	3.50	20.90	1.80	
445400011	2	YES	1	1	YES	1	2	NONE	3.50	40.90	1.80	
445400012	4	YES	1	2	YES	3	1, 3 & 4	NONE	5.10	40.90	3.40	
445400013	3	YES	2	1 & 3	YES	1	2	NONE	3.50	30.90	1.80	
445400014	6	YES	5	1,2,3,4&5	YES	1	6	NONE	3.50	60.90	1.80	
445401001	3	YES	2	1 & 3	YES	1	2	NONE	3.50	30.90	1.80	
445401009	2	YES	1	2	YES	1	1	NONE	5.10	20.90	3.40	
445401010	3	YES	2	1 & 3	NO	N/A	N/A	1	3.50	30.90	1.80	
445401011	3	YES	2	1 & 3	NO	N/A	N/A	1	3.50	30.90	1.80	

NOTES:-

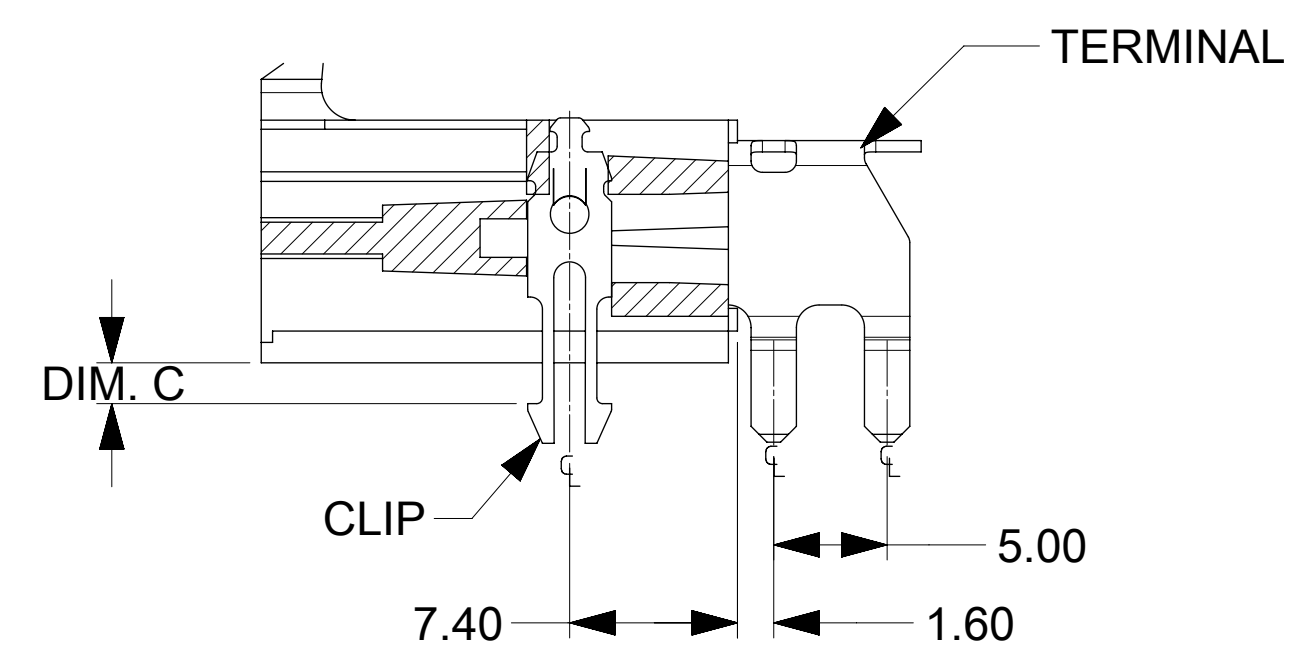
- MATERIAL: HOUSING:- GLASS FILLED NYLON 4/6, U.L. 94V-0, COLOR: BLACK.
TERMINAL:- HIGH PERFORMANCE COPPER ALLOY.
- PLATING: OVERALL BRIGHT TIN:- .000100/(.00254) MIN. TIN OVER .000050/(.00127) MIN. NICKEL.
SELECT GOLD:- .000030/(.00076) MIN. SELECT GOLD IN CONTACT AREA, .000100/(.00254) MIN. SELECT TIN ON SOLDER TAILS OVER .000050/(.00127) MIN. NICKEL.
SELECT SILVER: .000100/(.00254)MIN.SILVER, .000100/(.00254)MIN SELECT TIN ON SOLDER TAILS, BOTH OVER .000050/(.00127) MIN. NICKEL OVERALL.
- PRODUCT SPECS: NONE.
- PACKAGING INFORMATION: PK-42820-910.
- PART IS DESIGNED AND DIMENSIONED IN METRIC.
- WHEN USING OVERALL TIN PLATED TERMINALS, FOR APPLICATIONS INVOLVING VIBRATION AND/OR THERMAL CYCLING, MOLEX STRONGLY RECOMMENDS THE USE OF NYE LUBRICANT (NYOGEL 760G) ON THE MATING SURFACES OF THE TERMINAL. REFER TO AS-42815-001.
- THIS PART CONFORMS TO CLASS B REQUIREMENTS OF COSMETIC SPEC PS-45499-002.

SELECT GOLD IN CONTACT AREA
MATTE TIN IN SOLDER TAILS

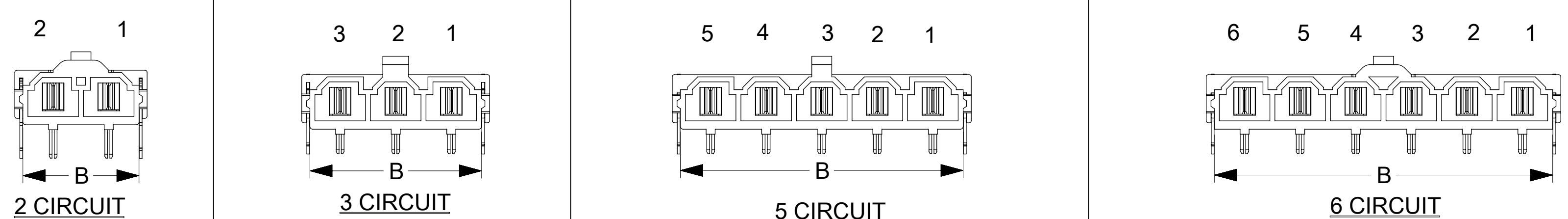
SELECT SILVER IN CONTACT AREA
SELECT MATTE TIN IN SOLDER TAILS



SECTION A-A



SECTION B-B



THIS DRAWING CONTAINS INFORMATION THAT IS PROPRIETARY TO MOLEX ELECTRONIC TECHNOLOGIES, LLC AND SHOULD NOT BE USED WITHOUT WRITTEN PERMISSION

DIMENSION UNITS	SCALE	CURRENT REV DESC: MIGRATED TO ECTR	
MM	3:1		
GENERAL TOLERANCES (UNLESS SPECIFIED)			
	MM	INCH	
4 PLACES	±	±	EC NO: 171562
3 PLACES	±	±	DRWN: RLALSANGI 2017/10/25
2 PLACES	± 0.25	±	CHK'D: ISHWARG 2018/05/04
1 PLACE	± 0.4	±	APPR: ISHWARG 2018/05/04
0 PLACES	±	±	INITIAL REVISION:
ANGULAR TOL	± 0.5°		DRWN: COMERCI 2004/09/09
DRAFT WHERE APPLICABLE MUST REMAIN WITHIN DIMENSIONS		THIRD ANGLE PROJECTION	APPR: FSMITH 2015/04/01
		DRAWING	SERIES
		D-SIZE	44540
DOCUMENT NUMBER		CUSTOMER	SHEET NUMBER
SD-44540-001		GENERAL MARKET	1 OF 1
DOC TYPE	DOC PART	REVISION	
PSD	001	C1	

molex

RIGHT ANGLE HEADER ASSY.
W/ MFBL AND VOIDS MINI-FIT SR. SERIES

PRODUCT CUSTOMER DRAWING

SEE CHART